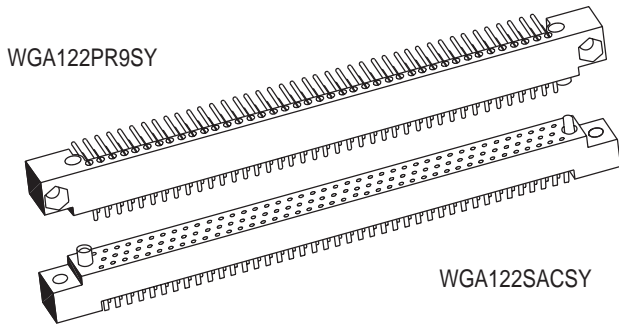


# 3 • ROW Connectors

PC Card to  
Board or  
Chassis

**WGA-WGA**



Examples:

PLUG: WGA 122 PR9 SY  
RECEPTACLE: WGA 122 SAC SY

## PLUG

## RECEPTACLE

### SERIES

WGA = 3-row, right-angle, plug, mounting ears

WGA = 3-row, straight, receptacle, mounting ears  
WGA = 3-row, right-angle, receptacle, mounting ears

### NUMBER OF CONTACTS

122

122

### TYPE OF CONTACTS

• The contact type determines image of connector. Pin right-angle contacts are always plug image, all other contacts, straight pin or sockets are receptacle image.

PR7 = Pin, right-angle, dip solder, .109  
PR9 = Pin, right-angle, dip solder, .140  
PR11 = Pin, right-angle, dip solder, .172  
PRC = Pin, right-angle, solder cup  
PRW32 = Pin, right-angle, wire wrap, .500

SAC = Socket, straight, solder cup  
SAD7 = Socket, straight, dip solder, .109  
SAD9 = Socket, straight, dip solder, .140  
SAD11 = Socket, straight, dip solder, .172  
SAF3 = Socket, straight, flex-circuit, .050  
SAF6 = Socket, straight, flex-circuit, .093  
SAF9 = Socket, straight, flex-circuit, .140  
SAP = Socket, straight, pin termination, .150, connector saver  
SAW24 = Socket, straight, wire wrap, .375  
SAW40 = Socket, straight, wire wrap, .625  
SOR7 = Socket, right-angle, dip solder, .109, see page W-51.  
SOR9 = Socket, right-angle, dip solder, .140, see page W-51.  
SOR11 = Socket, right-angle, dip solder, .172, see page W-51.

### TYPE OF HARDWARE

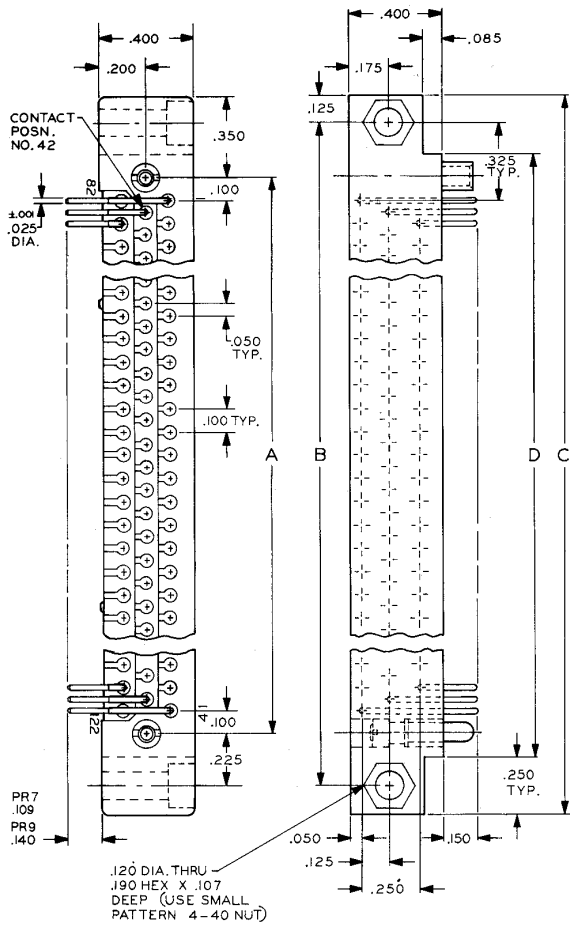
• Turning hardware extends .040" shorter than normal.

SY = Guide Set  
SY# = Guide Set, polarized  
SYL = Guide Set, long  
JT = Turning jackset, .435  
JTA = Turning jackset, .135  
JTB = Hex turning jackset, .135  
JTC = Turning jackset, .435  
JTL = Long turning jackset, .635

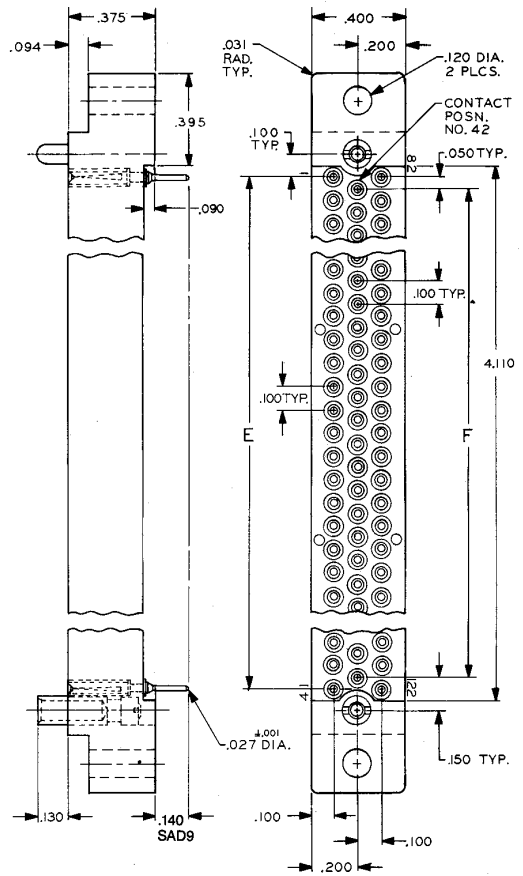
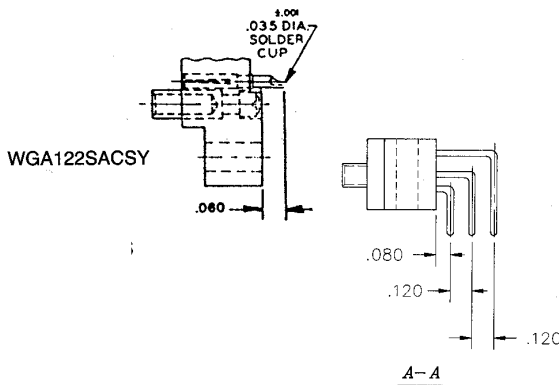
SY = Guide Set  
SY# = Guide Set, polarized  
SYL = Guide Set, long  
J = Fixed jackset  
JL = Fixed jackset, long

### OPTIONS

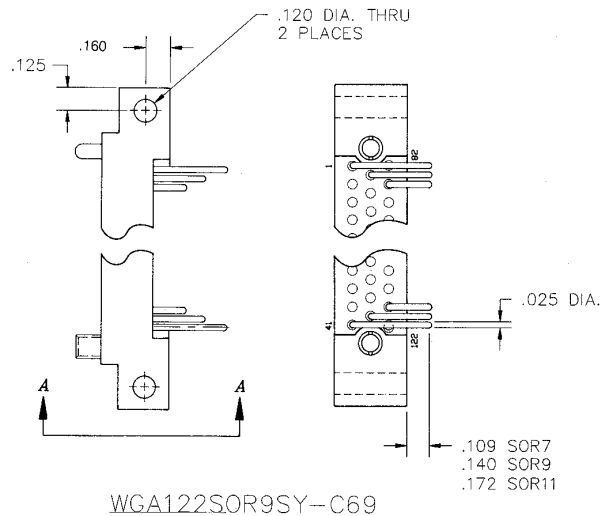
• OPTION CODES: Add to the end of the part number. Example: WG160PR9SY548. Call factory for additional codes.  
-B82: Termination face sealed against conformal coating.  
-342: Remove .250 mounting ears.  
-D01: Pre-tin contact terminations. (Solder cup, wire wrap and flex circuit contacts are excluded.)  
-548: Includes nuts bonded into hex recess in mounting holes.  
-G69: Solder cups are fixed in an outward orientation, otherwise contacts can rotate.  
-413: Straight pin contacts in right-angle plug molding with solder cup terminals extending .100" beyond molding.  
-D54: Combine B82 and D01 special codes.



**PLUG**  
EXAMPLE: WGA122PR9SY



**RECEPTACLE**  
EXAMPLE: WGA122SAD9SY



**WGA-WGA**  
Dimensions

SIZE	A	B	C	D	E	F
122	4.200	4.650	4.900	4.400	4.000	3.900