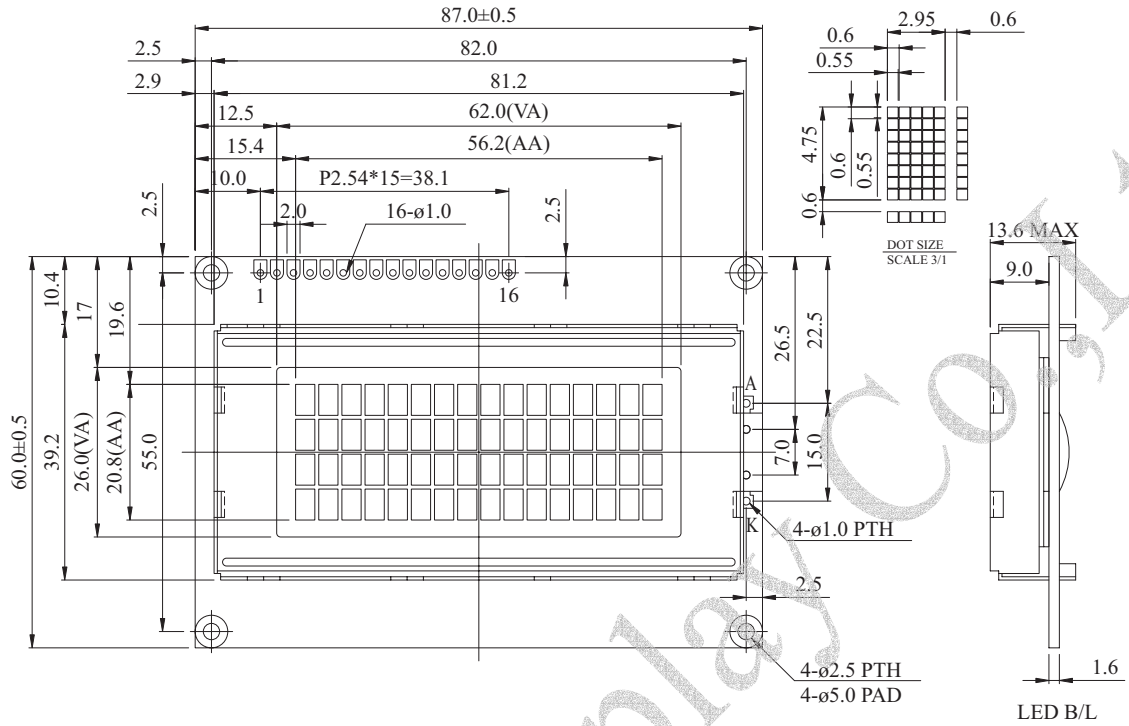


WH1604E Character 16x4

Dimension drawing



Character type

Feature

1. 5x8 dots includes cursor
2. Built-in controller RW1067
3. +5.0V power supply
4. 1/16 duty cycle
5. LED can be driven by pin1, pin2 pin15, pin16 or a and k
6. built English/Japanese/Europe/Cyrillic font

Mechanical Data

Item	Standard Value	Unit
Module Dimension	87.0x60.0	mm
Viewing Area	62.0x26.0	mm
Dot Size	0.55x0.55	mm
Dot Pitch	0.60x0.60	mm

Absolute Maximum Rating

Item	Symbol	Standard Value			Unit
		min.	typ.	max.	
Power Supply	VDD-VSS	-0.3	---	7.0	V
Input Voltage	VI	-0.3	---	VDD	V

Note: VSS=0 Volt , VDD=5.0 Volt .

Electronical Characteristics

Item	Symbol	Condition	Standard Value			Unit
			min.	typ.	max.	
Input Voltage	VDD	VDD=+5V	4.7	5.0	5.3	V
Supply Current	IDD	VDD=5V	---	1.0	1.2	mA
Recommended LC Driving Voltage for Normal Temp. Version module	VDD-VO	-20°C	5.0	5.1	5.7	V
		0°C	4.6	4.8	5.2	
		50°C	3.9	4.2	4.5	
		70°C	3.7	3.9	4.3	
LED Forward Voltage	VF	25°C	---	4.2	4.6	V
LED Forward Current	IF	25°C	---	220	440	mA
EL Power Supply Current	IEF	V _{led} =110VAC,400Hz	---	---	5.0	mA

Pin NO.	Symbol	Function
1	Vss	Ground
2	Vdd	Supply voltage for logic
3	Vo	Contrast Adjustment
4	RS	H: Data L: Instruction
5	R/W	H: read data L: write data
6	E	Enable signal
7	DB0	Data bus line
8	DB1	Data bus line
9	DB2	Data bus line
10	DB3	Data bus line
11	DB4	Data bus line
12	DB5	Data bus line
13	DB6	Data bus line
14	DB7	Data bus line
15	A	Power supply for B/L(+)
16	K	Power supply for B/L(-)