

Distributor: **Electro-Stock** www.electrostock.com Tel: 630-682-1542 Fax: 630-682-1562

FEATURES:

- Low profile
- Small size and light weight
- Coil voltages up to 100VDC
- UL/CUL certified



22.2 x 16.5 x 10.9 mm

CONTACT DATA

| | |
|---------------------------|--------------------------------------|
| Contact Arrangement | 1A = SPST N.O. 1C = SPDT |
| Contact Rating | 1A: 16A @ 250VAC 1C: 10A @ 250VAC |
| Contact Resistance | < 50 milliohms initial |
| Contact Material | AgCdO |
| Maximum Switching Power | 300W |
| Maximum Switching Voltage | 380VAC, 110VDC |
| Maximum Switching Current | 16A |

COIL DATA

| Coil Voltage VDC | | Coil Resistance $\Omega \pm 10\%$ | | Pick Up Voltage VDC (max) | Release Voltage VDC (min) | Coil Power W | Operate Time ms | Release Time ms |
|------------------|-------|-----------------------------------|------|---------------------------|---------------------------|--------------|-----------------|-----------------|
| Rated | Max. | .20W | .45W | 75% of rated voltage | 10% of rated voltage | | | |
| 5 | 6.5 | 125 | 56 | 3.75 | 0.5 | .20 .45 | 8 | 5 |
| 6 | 7.8 | 180 | 80 | 4.50 | 0.6 | | | |
| 9 | 11.7 | 405 | 180 | 6.75 | 0.9 | | | |
| 12 | 15.6 | 720 | 320 | 9.00 | 1.2 | | | |
| 18 | 23.4 | 1620 | 720 | 13.5 | 1.8 | | | |
| 24 | 31.2 | 2880 | 1280 | 18.00 | 2.4 | .25 or .45 | | |
| 48 | 62.4 | 9216 | 5120 | 36.00 | 4.8 | | | |
| 100 | 130.0 | 16600 | | 75.0 | 10.0 | .60 | | |

CAUTION:

1. The use of any coil voltage less than the rated coil voltage may compromise the operation of the relay.
2. Pickup and release voltages are for test purposes only and are not to be used as design criteria.

GENERAL DATA

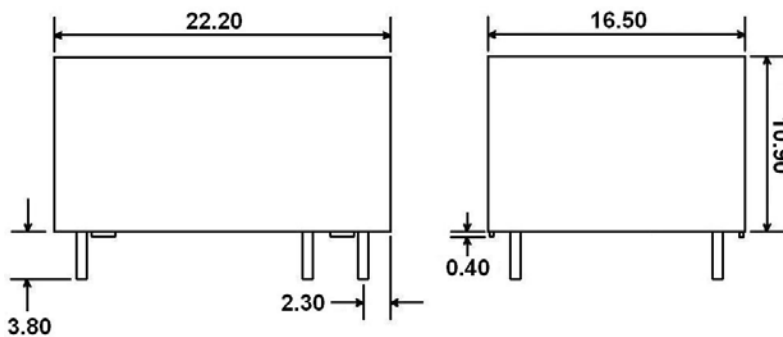
| | |
|--------------------------------------|-------------------------------------|
| Electrical Life @ rated load | 100K cycles, typical |
| Mechanical Life | 10M cycles, typical |
| Insulation Resistance | 100M Ω min @ 500VDC |
| Dielectric Strength, Coil to Contact | 1500V rms min. @ sea level |
| Contact to Contact | 750V rms min. @ sea level |
| Shock Resistance | 100m/s ² for 11ms |
| Vibration Resistance | 1.50mm double amplitude 10-40Hz |
| Terminal (Copper Alloy) Strength | 10N |
| Operating Temperature | -40 °C to + 85 °C |
| Storage Temperature | -40 °C to + 155 °C |
| Solderability | 230 °C \pm 2 °C for 10 \pm 0.5s |
| Weight | 10g |

Distributor: **Electro-Stock** www.electrostock.com Tel: 630-682-1542 Fax: 630-682-1562

ORDERING INFORMATION

| | | | | | |
|--|--------------|-----------|----------|--------------|------------|
| 1. Series: WJ111 | WJ111 | 1A | S | 12VDC | .45 |
| 2. Contact Arrangement: 1A = SPST N.O. 1C = SPDT (only available with .45W coil) | | | | | |
| 3. Sealing Options: S = Sealed | | | | | |
| 4. Coil Voltage: 5VDC 6VDC 9VDC 12VDC 18VDC 24VDC 48VDC 100VDC | | | | | |
| 5. Coil Power: .20 = .20W (Only available with 1A contacts) .25 = .25W (Used with 48VDC coil only) .45 = .45W .60 = .60W (Used with 100VDC coil only) | | | | | |

DIMENSIONS (Units = mm)



SCHEMATICS & PC LAYOUTS (BOTTOM VIEWS)

