



- Small size and light weight.
- Low coil power consumption.
- High contact load.
- Strong anti-shock high reliability.

SPECIFICATIONS
Contact

Arrangement	1A 1B 1C	
Contact Material	Silver alloy	
Contact Resistance (By voltage drop 6V 1A)	Max.50mΩ	
Rating	50A	40A 250VAC
Nominal switching capacity	250VAC	
Resistive load		
Max. Switching Voltage	28VDC/250VAC	
Max. Switching Current	40A	
Max. Switching Power	10000VA/1120W	
Expected life (min. ope)	1×10 ⁷ 1×10 ⁵	
Mechanical (at 120 cpm)		
Electrical (at 20 cpm)		

Characteristics

Operate Time	Max. 20 msec.	
Release Time	Max. 15 msec.	
Initial breakdown voltage	1500VAC (50/60Hz) for 1 min.	
Between coil & contact		
Between open contacts	1500VAC (50/60Hz) for 1 min.	
Insulation Resistance	Min. 1000MΩ (500 VDC)	
Ambient temperature	-40°C ~ +70°C	
Operating humidity	45 to 85% RH	
Shock Resistance	Functional	Min. 10G
	Destruction	Min. 100G
Vibration Resistance	Functional	10 to 55 Hz at double Amplitude of 1.5mm
	Destruction	10 to 55 Hz at double Amplitude of 1.5mm
Unit weight	Approx. 90g	

COIL DATE

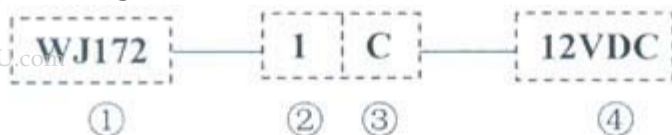
Coil Consumption	sensitive: 4.5VA/3W
Coil Voltage (1pole)	6 - 110VDC
Coil Voltage (2pole)	6 - 240VAC
Coil Resistance	see COIL SPECIFICATION below

UL/C-UL Rating

Resistive load (cosφ=1)	
Inductive load (cosφ=0.75 - 0.8)	

COIL SPECIFICATION (at 20°C)

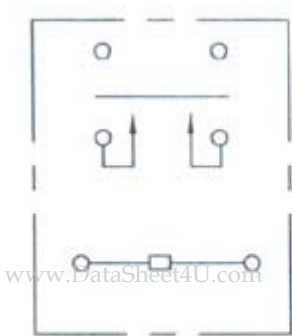
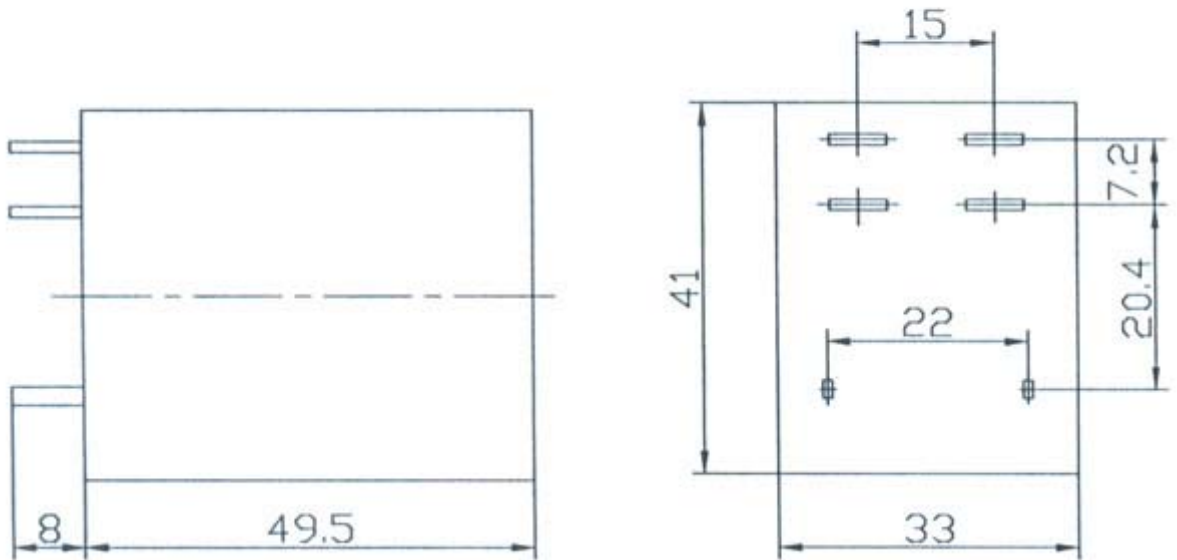
Type	Nominal Voltage (VDC) (VAC)	Coil Resistance (Ω)	Nominal operating power (W)	Pick-up Voltage	Drop-out & Allowable Voltage & Max. Voltage	
AC	12	9	abt. 4.5VA (50 - 60Hz)	75% Max.	30% Min.	120%
	24	40				
	36	78				
	48	145				
	110	790				
	220	2800				
DC	6	12	abt. 3W	75% Max.	10% Min.	120%
	12	48				
	15	75				
	24	192				
	48	768				
	110	4030				

ORDERING INFORMATION
www.DataSheet4U.com


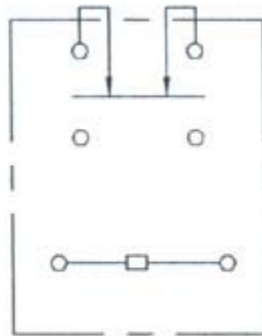
① Type	② Number of pole	③ Contact form	④ Coil voltage
WJ172	1 : 1pole	A: Form A B: Form B C: Form C	Coil: 6-110VDC www.DataSheet4U.com 6-240VAC

DIMENSIONS Unit: mm

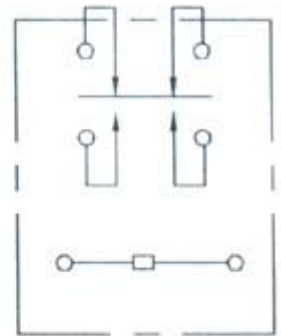
WJ172-1Pole Plug terminal



1A



1B



1C

Quality policy:

Today's quality is our future market;
Our goal is pursuing Vendor satisfaction.

Environmental policy:

Keeping the system safe, Abiding by laws;
Innovation in technology, Prevention of pollution;
Advertising & education, Continuous improvement.

Note: The relative changes for the specification will not be advised in the future.