

# WJA1010

+5V Active-Bias InGaP HBT Gain Block



## Product Features

- Cascadable gain block
- 50 – 2300 MHz
- 15 dB Gain
- +19 dBm P1dB
- +36.5 dBm OIP3 @ 900MHz
- Operates from +5V @ 85mA
- Robust 1000V ESD, Class 1C
- RoHS-compliant SOT-89 package

## Applications

- Wireless Infrastructure
- General Purpose
- CATV / FTTH
- VHF / UHF Transmission

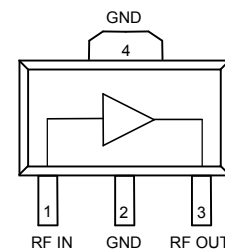
## Product Description

The WJA1010 is a cascadable gain block that offers high linearity in a low-cost surface-mount package. At 900 MHz, the WJA1010 typically provides 15 dB gain, +36.5 dBm OIP3, and +19 dBm P1dB. The device is housed in a RoHS-compliant SOT-89 industry-standard SMT package using a NiPdAu plating to eliminate the possibility of tin whiskering.

The WJA1010 consists of Darlington pair amplifiers using a high reliability InGaP/GaAs HBT process technology. The MMIC amplifier is internally matched to 50Ω and only requires DC-blocking capacitors and a bias inductor for operation. An internal active bias is designed to enable stable performance over temperature. A dropping bias resistor is not required allowing the device to be biased directly from a +5V supply voltage.

The broadband amplifier can be directly applied to various current and next generation wireless technologies such as GSM, PCS, and W-CDMA. The WJA1010 is ideal for general purpose applications such as LO buffering, IF amplification and pre-driver stages within the 50 to 2300 MHz frequency range.

## Functional Diagram



Function	Pin No.
Input	1
Output/Bias	3
Ground	2, 4

## Specifications <sup>(1)</sup>

Parameter	Units	Min	Typ	Max
Operational Bandwidth	MHz	50		2300
Test Frequency	MHz		900	
Gain	dB	13.5	15	16.5
Input Return Loss	dB		13	
Output Return Loss	dB		17	
Output P1dB	dBm		+19	
Output IP3 <sup>(2)</sup>	dBm	+33	+36.4	
Output IP2	dBm		+48.1	
Noise Figure	dB		5.2	
Device Voltage	V		5	
Device Current	mA	72	85	92

1. Test conditions: 25 °C, Supply Voltage = +5 V, 50 Ω System. S-parameters and 3OIP measured at device pins. All other specifications measured on evaluation board.
2. 3OIP measured with two tones at an output power of +8 dBm/tone separated by 1 MHz. The suppression on the largest IM3 product is used to calculate the 3OIP using a 2:1 rule.

## Typical Performance <sup>(3)</sup>

Parameter	Units	Typical				
Frequency	MHz	200	500	900	1900	2100
S21	dB	14.9	14.7	14.5	14	14.2
S11	dB	-13	-14	-17	-17	-17
S22	dB	-20	-18	-17	-9	-10
Output P1dB	dBm	+19.6	+19.5	+19	+16.2	+15
Output IP3 <sup>(2)</sup>	dBm	+41.8	+40.3	+36.2	+28.7	+27.2
Output IP2	dBm	+55.3	+54.2	+48.1	+40.3	+39.7
Noise Figure	dB	4.8	5	5.2	5.7	6.2

3. Listed typical performance parameters measured on evaluation board.

**Not Recommended For  
New Designs**  
Recommended replacement parts:  
**TQP3M9028**

## Absolute Maximum Rating

Parameter	Rating
Storage Temperature	-55 to +150 °C
Supply Voltage	+6.5 V
Input Power	+24 dBm
θ <sub>jc</sub> (junction to paddle)	80.6 °C / W
Maximum Junction Temperature	150 °C

Operation of this device above any of these parameters may cause permanent damage.

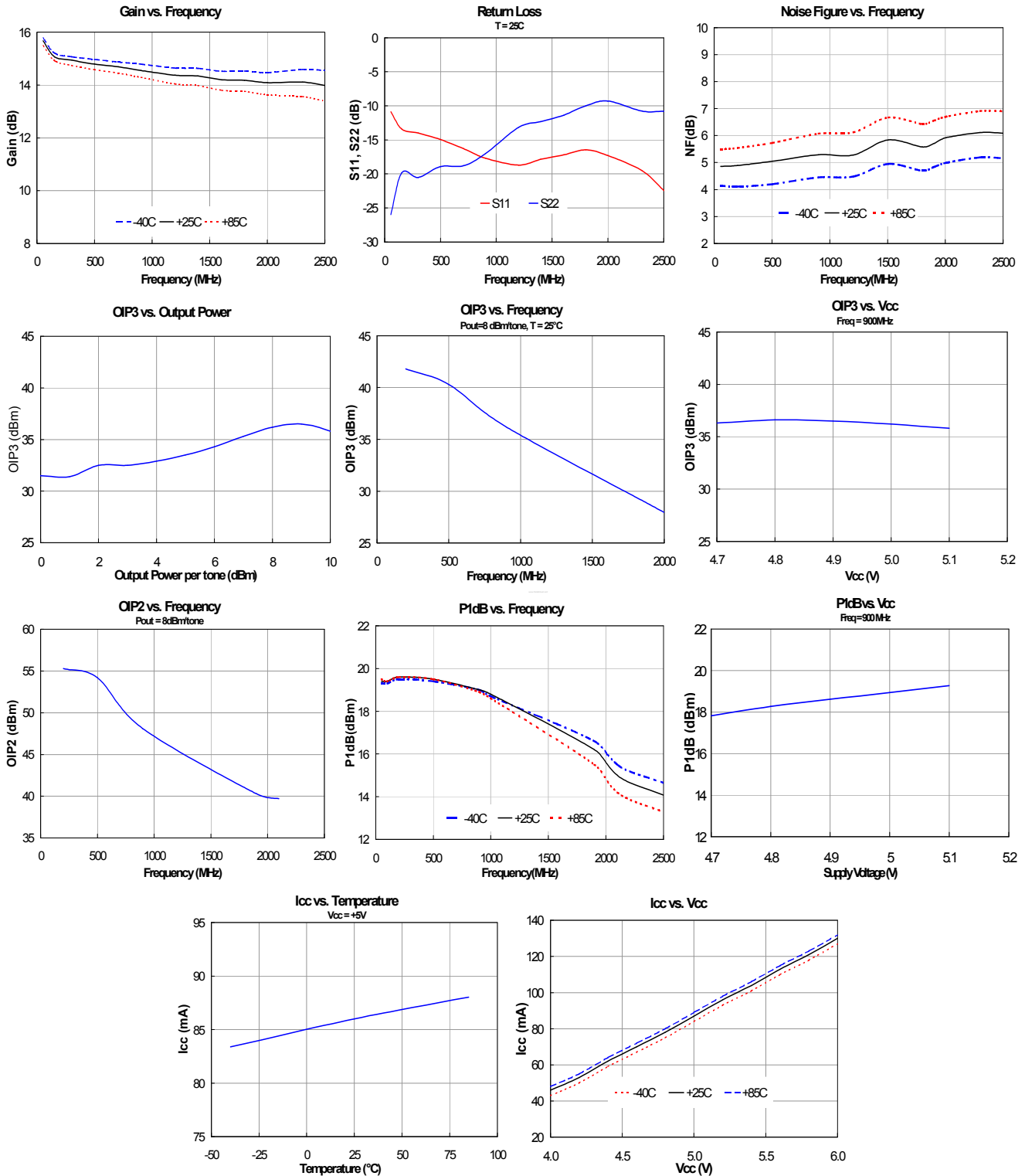
## Ordering Information

Part No.	Description
WJA1010	+5V Active Bias InGaP HBT Gain Block (lead-free/green/RoHS-compliant SOT-89 Package)

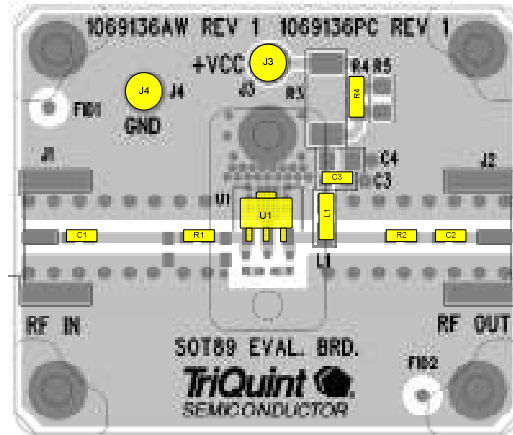
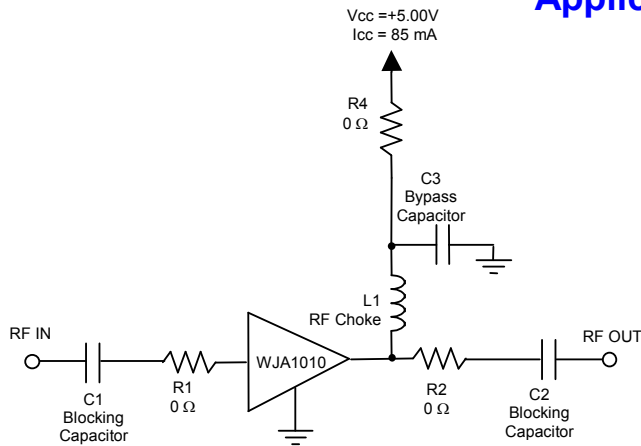
Standard tape / reel size = 1000 pieces on a 7" reel

Specifications and information are subject to change without notice

### Typical Evaluation Board RF Performance Supply Bias = +5V, $I_{cc} = 85 \text{ mA}$



### Application Circuit



#### Recommended Component Values <sup>(1)</sup>

Ref. Name	Value / Type	Size
L1	470 nH ferrite core wire wound inductor <sup>(2)</sup>	0805
C1, C2	1000 pF NPO chip capacitor	0603
C3	0.018 μF chip capacitor	0603
R1, R2, R4	0 Ω <sup>(3)</sup>	0603
C4, R3, R5	Do Not Place <sup>(3)</sup>	

1. The listed values are contained on the evaluation board to achieve optimal broadband performance
2. For lower cost and performance (500 – 2000 MHz) option use 39 nH air core wire wound inductor.
3. Place holders for the 0Ω resistors and “Do Not Place” references are not needed for final design.

### Typical Device Data

S-Parameters ( $V_{device} = +5V$ ,  $I_{CC} = 85mA$ ,  $T = 25^\circ C$ , calibrated to device leads)

Freq	S11 (dB)	S11 (ang)	S21 (dB)	S21 (ang)	S12 (dB)	S12 (ang)	S22 (dB)	S22 (ang)
10	-12.04	-60.82	19.05	165.91	-22.30	19.64	-8.59	-41.53
50	-13.71	-143.09	15.80	165.50	-19.42	6.67	-15.87	-109.00
100	-13.82	-161.46	15.31	167.89	-19.20	2.07	-18.24	-135.07
200	-13.85	-171.92	15.10	164.60	-19.10	-2.47	-19.29	-152.17
300	-13.69	-175.70	15.07	159.95	-19.10	-5.78	-19.50	-157.22
400	-13.65	-177.47	15.10	154.59	-19.11	-8.12	-19.68	-160.24
500	-13.43	-178.71	15.03	148.80	-19.09	-10.48	-19.49	-161.23
600	-13.21	-179.92	15.05	143.18	-19.13	-13.54	-19.48	-164.03
700	-13.21	-179.29	15.03	137.23	-19.11	-15.47	-18.92	-161.58
800	-13.13	-176.94	15.00	131.54	-19.09	-18.52	-18.76	-162.42
900	-13.25	-175.80	14.95	125.63	-19.05	-20.44	-17.98	-159.66
1000	-13.40	-171.04	15.00	120.03	-19.11	-23.46	-17.13	-160.05
1100	-13.45	-167.86	14.89	114.13	-19.05	-26.31	-16.34	-157.69
1200	-13.70	-163.82	14.90	107.42	-19.14	-28.31	-15.63	-158.10
1300	-13.71	-160.39	14.87	101.34	-19.05	-30.76	-14.87	-157.31
1400	-13.73	-157.23	14.79	95.53	-19.02	-33.72	-14.42	-157.48
1500	-13.78	-154.96	14.80	89.31	-19.12	-36.32	-13.84	-158.93
1600	-13.91	-152.71	14.77	82.83	-19.12	-39.05	-13.62	-159.31
1700	-13.94	-151.56	14.73	76.51	-19.00	-41.55	-13.13	-160.67
1800	-14.25	-151.18	14.70	70.01	-19.05	-44.05	-12.85	-161.89
1900	-14.68	-150.94	14.67	63.49	-19.02	-47.20	-12.32	-164.74
2000	-15.46	-152.07	14.63	57.47	-19.12	-49.85	-11.74	-165.33
2100	-16.40	-152.54	14.57	50.95	-19.10	-53.35	-11.20	-168.18
2200	-17.65	-156.49	14.43	44.02	-19.15	-55.79	-10.43	-171.27
2300	-19.22	-161.75	14.23	37.40	-19.19	-59.36	-9.87	-174.30
2400	-20.22	-172.76	14.15	30.44	-19.32	-61.81	-9.02	-176.99

Device S-parameters are available for download from the website at: <http://www.triquint.com>

# WJA1010

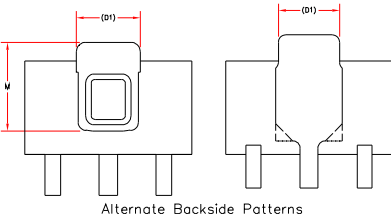
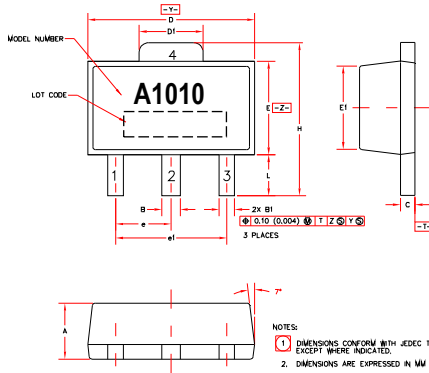
+5V Active-Bias InGaP HBT Gain Block



## Mechanical Information

This package is lead-free/Green/RoHS-compliant. It is compatible with both lead-free (maximum 260 °C reflow temperature) and leaded (maximum 245 °C reflow temperature) soldering processes. The plating material on the leads is NiPdAu.

### Outline Drawing



SYMBOL	MIN	NOM	MAX	SYMBOL	MIN	NOM	MAX
A	1.40 (.055)	1.50 (.059)	1.60 (.063)	E	2.29 (.090)	2.50 (.098)	2.60 (.102)
B	.44 (.017)	.50 (.020)	.56 (.022)	E1	2.15 (.084)	2.30 (.091)	2.39 (.094)
B1	.35 (.014)	.42 (.016)	.48 (.019)	e	1.50 BSC (.059)		
C	.35 (.014)	.42 (.016)	.44 (.017)	ef	1.00 BSC (.118)		
D	4.40 (.173)	4.50 (.177)	4.60 (.181)	H	3.94 (.155)	4.10 (.161)	4.25 (.167)
D1	1.62 (.064)	1.75 (.068)	1.83 (.072)	L	.89 (.035)	1.10 (.043)	1.30 (.051)
				M	2.2 (.087)	2.40 (.095)	2.6 (.102)

### Product Marking

The WJA1010 will be marked with an "A1010" designator with an alphanumeric lot code marked below the part designator.

Tape and reel specifications for this part are located on the website in the "Application Notes" section.

### MSL / ESD Rating



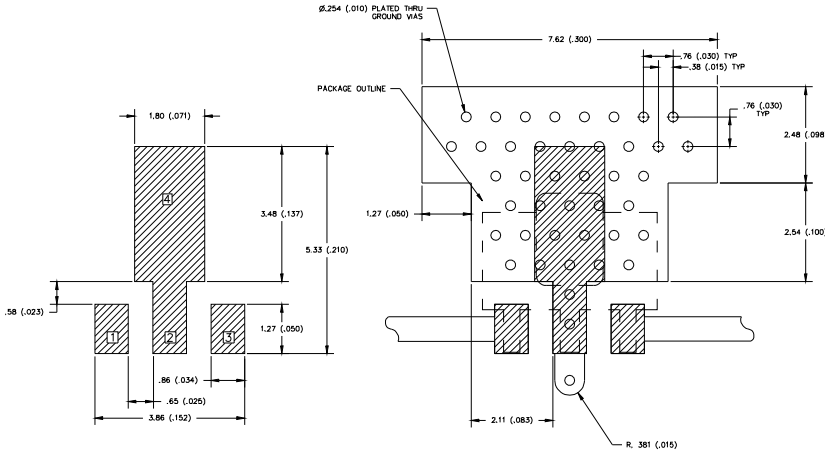
Caution! ESD sensitive device.

ESD Rating: Class 1C  
Value: Passes ≥ 1000V min.  
Test: Human Body Model (HBM)  
Standard: JEDEC Standard JESD22-A114

ESD Rating: Class IV  
Value: Passes ≥ 1000V min.  
Test: Charged Device Model (CDM)  
Standard: JEDEC Standard JESD22-C101

MSL Rating: Level 3 at +260 °C convection reflow  
Standard: JEDEC Standard J-STD-020

### Land Pattern



### Mounting Config. Notes

1. Ground / thermal vias are critical for the proper performance of this device. Vias should use a .35mm (#80 / .0135") diameter drill and have a final plated thru diameter of .25 mm (.010").
2. Add as much copper as possible to inner and outer layers near the part to ensure optimal thermal performance.
3. Mounting screws can be added near the part to fasten the board to a heatsink. Ensure that the ground / thermal via region contacts the heatsink.
4. Do not put solder mask on the backside of the PC board in the region where the board contacts the heatsink.
5. RF trace width depends upon the PC board material and construction.
6. Use 1 oz. Copper minimum.
7. All dimensions are in millimeters (inches). Angles are in degrees.