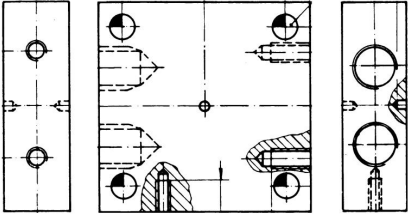


# WK 33



Standard lengths	n	b / d Ø mm	$R_{thcw}$ ( $H_2O$ : $V_W/t$ ; $\Delta p$ ) $R_{th}$ (case - cooling water) K/W	$R_{thmw}$ ( $H_2O$ : $V_W/t$ ; $\Delta p$ ) $R_{th}$ (thermal trip - cooling water) K/W	w kg
2 x WK 33 $V_W/t$ : 4 l/min $\Delta p$ : 45 mbar		2 x 19 2 x 25	0,134 0,105		1,28

## Heatsinks

### Liquid cooling for capsule devices

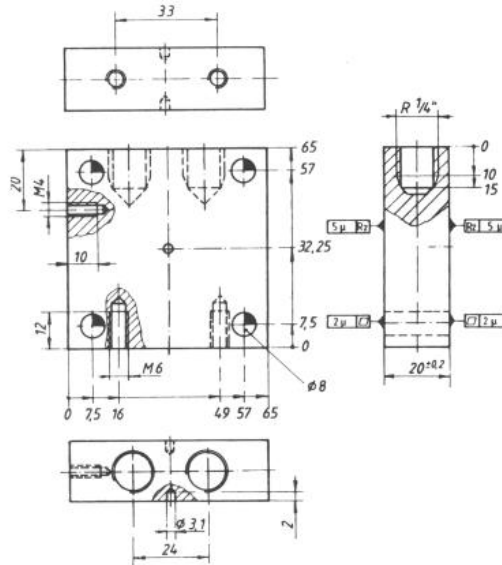
#### WK 33

Publish Data

#### Features

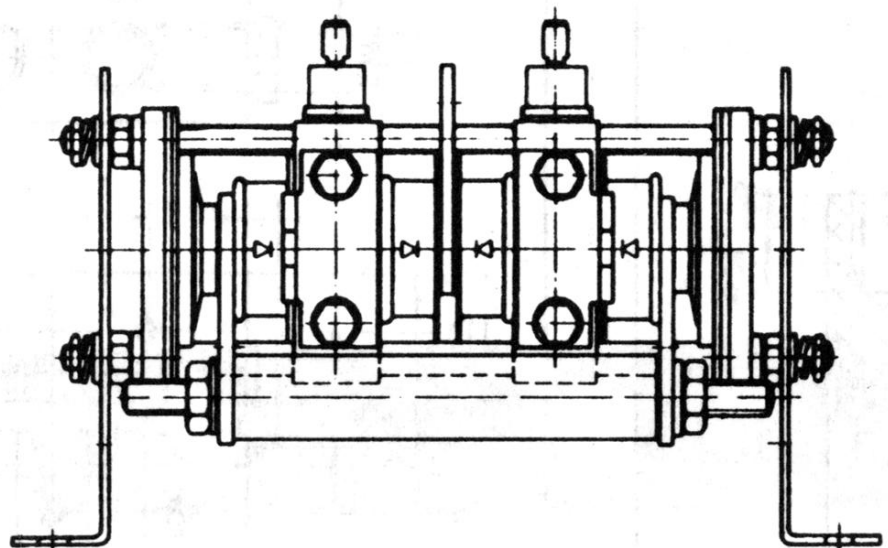
- Intended for capsule devices
- Designed for water/liquid cooling

Dimensions in mm



WK 33 general profile dimensions (w = 0,64 kg)

Dimensions in mm



Example setup using heatsink WK 33 for cooling of capsules

