



2x2 2.4/5GHz 11ac miniPCIe Radio

Model: WLE600VX

Revision: 1.02 IL
Date: 2014.10.13

Features

- Qualcomm-Atheros QCA9882
- 2.4GHz max 19dBm output power & 5GHz max 18dBm output power (per chain)
- IEEE 802.11ac compliant & backward compatible with 802.11a/b/g/n
- 2X2 MIMO Technology & up to 867Mbps
- MiniPCI Express 1.1 interface
- Supports Spatial Multiplexing, Cyclic-Delay Diversity (CDD), low-density parity check (LDPC), Maximal Ratio Combining (MRC), Space Time Block Code (STBC)
- Supports IEEE 802.11d, e, h, I, k, RO, v time stamp, and w standards
- Supports Dynamic Frequency Selection (DFS)
- Cards are individually calibrated for Quality Assurance
- Supported by either CompexWRT with Atheros Reference Wireless Driver OR OpenWRT with ath10k Wireless Driver on WPJ344

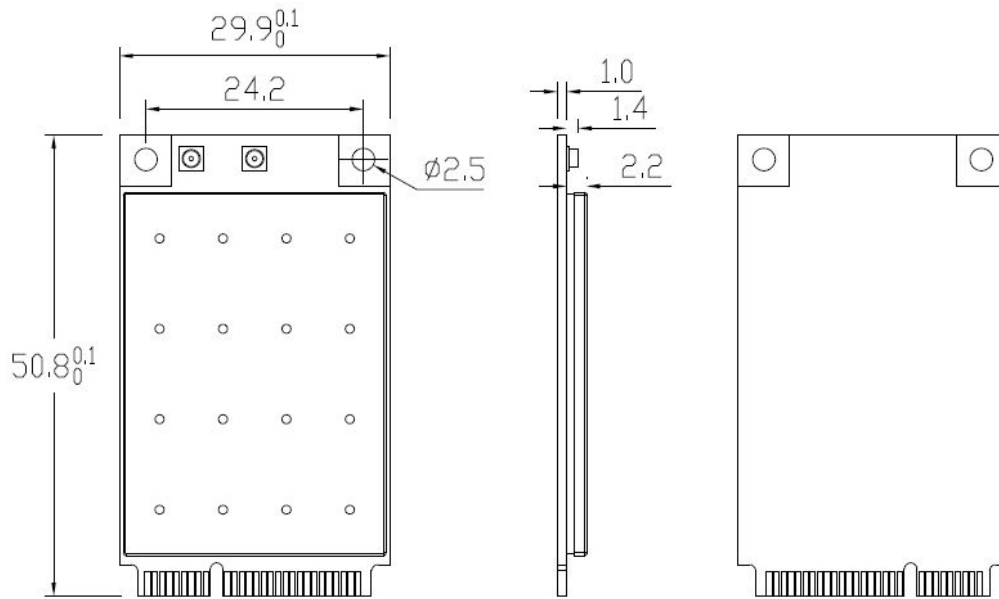
Applications (combined with WPJ344)

- Indoor AP
- Outdoor AP
- 802.11ac/abgn CPE
- 802.11ac/abgn Point to Point

Technical Specifications

| System Information | | | | | | | | | |
|------------------------------|-----------|---|---------------------|----------------------|----------------------|-------------|----------------------|---------------------|-----------|
| Chipset | | Qualcomm-Atheros QCA9882 | | | | | | | |
| Host Interface | | PCI-Express 1.1 Standard | | | | | | | |
| Operating Voltage | | 3.3 VDC | | | | | | | |
| Power Consumption | | 3.5W | | | | | | | |
| Antenna Connector | | 2 x U.FL | | | | | | | |
| Modulation Techniques | | OFDM: BPSK, QPSK, 16-QAM, 64-QAM, 256-QAM | | | | | | | |
| RoHS Compliance | | Yes | | | | | | | |
| Temperature Range | | Operating: -20°C to 70°C; Storage: -40°C to 90°C | | | | | | | |
| Humidity | | Operating: 5% to 95% (non-condensing) Storage: Max. 90% (non-condensing) | | | | | | | |
| Dimensions (mm) | | 50.95 x 30 x 3.2 (H x W x D) | | | | | | | |
| TX Specifications | | | | | | | | | |
| | Data Rate | TX Power (per chain) | TX Power (2 chains) | Tolerance | | Data Rate | TX Power (per chain) | TX Power (2 chains) | Tolerance |
| 802.11bg | 6Mbps | 19dBm | 22dBm | ±2dB | 2.4G 11n HT20 | MCS 0 | 19dBm | 22dBm | ±2dB |
| | 54Mbps | 15dBm | 18dBm | ±2dB | | MCS 7 | 13dBm | 16dBm | ±2dB |
| 2.4G 11n HT40 | MCS 0 | 18dBm | 21dBm | ±2dB | 802.11a | 6Mbps | 18dBm | 21dBm | ±2dB |
| | MCS 7 | 13dBm | 16dBm | ±2dB | | 54Mbps | 15dBm | 18dBm | ±2dB |
| 5G11n HT20 | MCS 0 | 18dBm | 21dBm | ±2dB | 5G11n HT40 | MCS 0 | 18dBm | 21dBm | ±2dB |
| | MCS 7 | 13dBm | 16dBm | ±2dB | | MCS 7 | 12dBm | 15dBm | ±2dB |
| 5G11ac HT20 | MCS 0 | 18dBm | 21dBm | ±2dB | 5G11ac HT40 | MCS 0 | 18dBm | 21dBm | ±2dB |
| | MCS 7 | 12dBm | 15dBm | ±2dB | | MCS 9 | 11dBm | 14dBm | ±2dB |
| 5G11ac HT80 | MCS 0 | 18dBm | 21dBm | ±2dB | | | | | |
| | MCS 9 | 10dBm | 13dBm | ±2dB | | | | | |
| RX Specifications | | | | | | | | | |
| | DataRate | Sensitivity | Tolerance | | DataRate | Sensitivity | Tolerance | | |
| 802.11a | 6Mbps | -96dBm | ±2dB | 5G11n HT40 | MCS 0 | -95dBm | ±2dB | | |
| | 54Mbps | -84dBm | ±2dB | | MCS 7 | -77dBm | ±2dB | | |
| 5G11n HT40 | MCS 0 | -92dBm | ±2dB | 11ac HT20 | MCS 0 | -94dBm | ±2dB | | |
| | MCS 7 | -77dBm | ±2dB | | MCS 9 | -70dBm | ±2dB | | |
| 11ac HT40 | MCS 0 | -91dBm | ±2dB | 11ac HT80 | MCS 0 | -90dBm | ±2dB | | |
| | MCS 9 | -65dBm | ±2dB | | MCS 9 | -61dBm | ±2dB | | |
| 802.11bg | 6Mbps | -94dBm | ±2dB | 2.4G 11n HT20 | MCS 0 | -94dBm | ±2dB | | |
| | 54Mbps | -80dBm | ±2dB | | MCS 7 | -77dBm | ±2dB | | |
| 2.4G 11n HT40 | MCS 0 | -93dBm | ±2dB | | | | | | |
| | MCS 7 | -75dBm | ±2dB | | | | | | |

Dimension Drawing



Ordering Information

| Item Code | Chipset | Form factor | Card Informations |
|------------------|--------------|-------------|-------------------------------------|
| WLE600VX 7AA000S | Atheros 9882 | Full size | 2x2 802.11ac 2.4G/5G PCIe mini card |