

Gemicom Technology, Inc.

---



## **Product specifications**

**802.11 b/g/n miniPCI module**

**(Ralink RT3062)**

**Model Number: WMN-22QR**

Revision 1.0  
November 30, 2009

Gemicom Technology, Inc.

## TABLE OF CONTENTS

TABLE OF CONTENTS.....	1
Introduction .....	2
Product Features.....	2
Block Diagram .....	3
Software Feature.....	4
Security .....	4
Operating Conditions.....	4
Antenna Connector.....	4
Mechanical Drawing .....	5

## **Introduction**

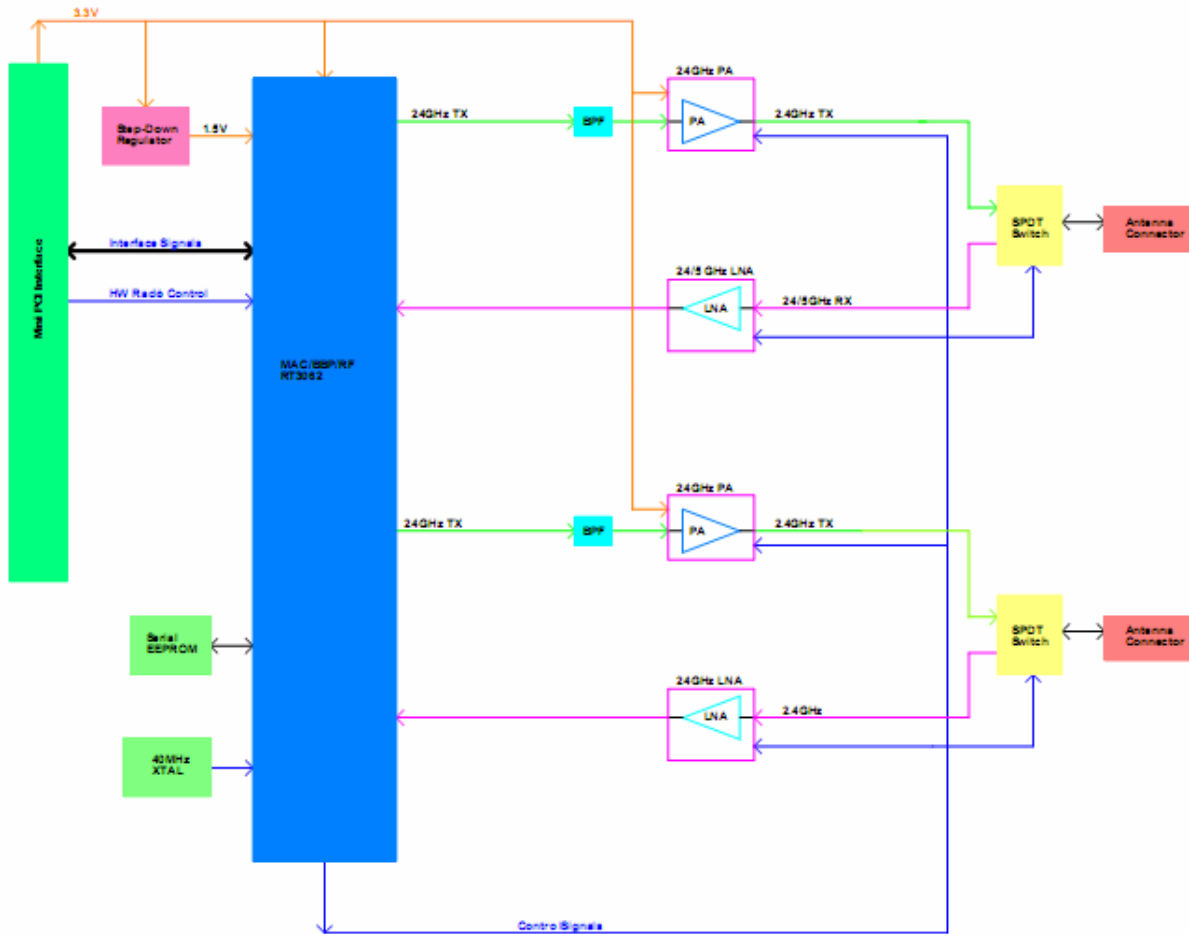
This document is to specify the product requirements for 802.11 b/g/n miniPCI type IIIB form factor module with PCI interface that enables 2X2 MIMO configurations. The WMN-22QR complied with IEEE 802.11n, 802.11b and 802.11g standards.

## **Product Features**

- Highly integrated MIMO 2T2R Ralink RT3062 MAC/BBP/Transceiver technology
- Fully comply with IEEE 802.11n and 802.11 b/g standards
- Data rates of up to 150Mbps (MCS0 – 15,32) for 20MHz channels and 300Mbps (MCS0 – 15,32) for 40MHz channels
- RTS/CTS
- MSDU/PSDU aggregation
- Block ACK
- Reverse Direction Data Flow
- Link Adaptation
- 802.11e compatible bursting
- 64/128-bit WEP, TKIP, AES hardware encryption, WPA, WPA2
- EAP-TLS, TTLS, LEAP, PEAP
- Roaming

# Block Diagram

**Main chipset:** Ralink RT3062, Wireless LAN Integrated Medium Access Controller with Baseband Processor and 2.4GHz MIMO Transceiver.



## Software Feature

- Support Windows 2000
- Support Windows XP 32/64
- Support Windows Vista 32/64
- Support Windows 7 32/64
- Support Windows CE 5.0 & 6.0
- Linux kernel 2.4.2.6
- Mac OS 10.3 & 10.4

## Security

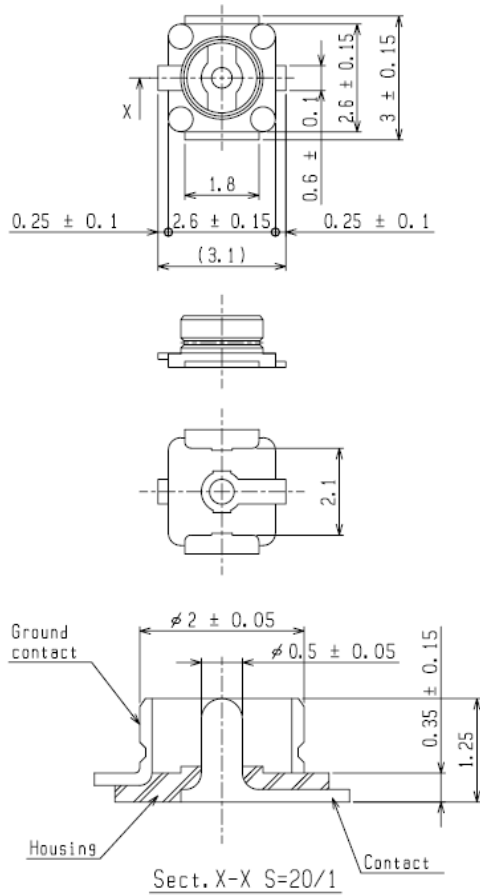
- 64/128 bit WEP encryption
- 802.1x authentication
- 802.1x WPA-PSK and TKIP, WPA2
- IEEE 802.11i
- Cisco certified Extensions, all versions through V5

## Operating Conditions

<b>Voltage Range</b>	3.3V +-0.3V
<b>Operating Temperature Range</b>	-10°C - 65°C
<b>Storage Temperature Range</b>	-20°C - 85°C
<b>Relative Humidity</b>	Max. 95% (Non-Condensing)

## Antenna Connector

2 x Hirose U.FL –R-SMT connector



## Mechanical Drawing

Dimension: 50.80 (L) x 44.45 (W) mm

