

**Characteristics**

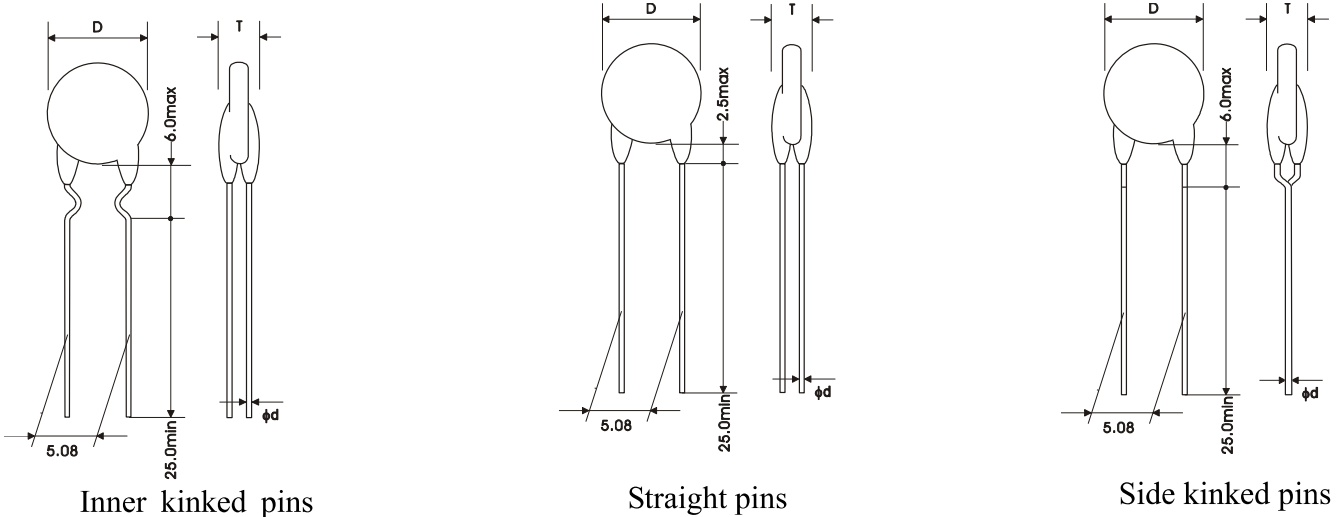
1. WMZ11 series PTC thermistor is pins resin coated parts.
2. Suitable to operate continuously in 250/265V<sub>AC</sub> (high resistance state)
3. Has complete parts
4. Long stability.
5. Do not need to be reset after protection.
6. No contact point, no noise.

**Application**

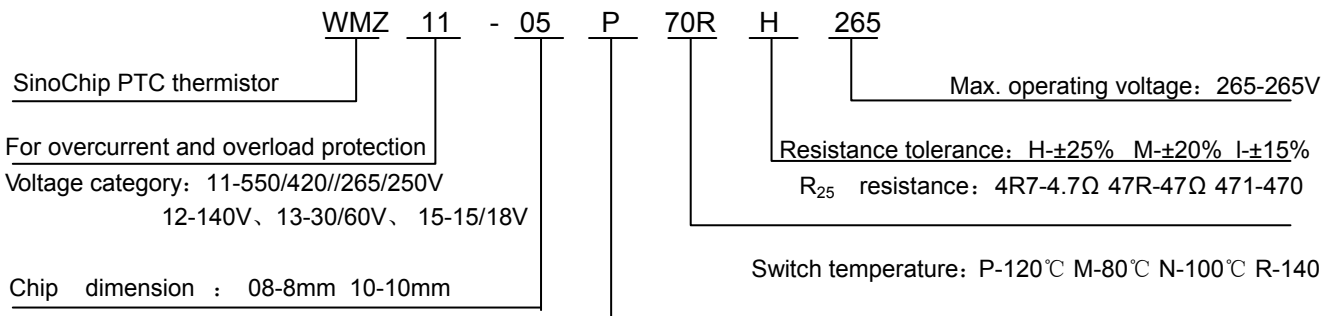
1. Switch power supply
2. Transformer, adapter.
3. Electronic coil, control panel
4. Home electric appliance (air-conditioner, microwave oven, etc.)
5. Electronic circuit.



**Dimension** (Unit: mm)



**Part Number Explanation**



Data Sheet

| Part number   | Resistance | Non-trip current |      | Ttrip current | Max. operating voltage | Max. current | Switch temperature | Dimension |      |     |
|---|------------|------------------|------|---------------|------------------------|--------------|--------------------|-----------|------|-----|
|   | R25 (Ω)    | Int (mA)         |      | @25℃          | Vmax                   | Imax(A)      | Tc(℃)              | (mm)      |      |     |
|   | ±25%       | @25℃             | @60℃ | It (mA)       | (V)                    |              |                    | Dmax      | Tmax | Φd  |
| <b>Overcurrent &amp; overload protection 0~265V</b> |            |                  |      |               |                        |              |                    |           |      |     |
| WMZ11-24P3R7H265                                    | 3.7        | 575              | 460  | 1150          | 265                    | 4.3          | 120                | 25        | 5    | 0.6 |
| WMZ11-20P3R7H265                                    | 3.7        | 530              | 430  | 1050          | 265                    | 4.3          |                    | 22        | 5    | 0.6 |
| WMZ11-19P6R0H265                                    | 6          | 413              | 330  | 825           | 265                    | 3.1          |                    | 21        | 5    | 0.6 |
| WMZ11-16P6R0H265                                    | 6          | 390              | 300  | 780           | 265                    | 3.1          |                    | 17.5      | 5    | 0.6 |
| WMZ11-16P7R0H265                                    | 7          | 350              | 280  | 700           | 265                    | 3.1          |                    | 17.5      | 5    | 0.6 |
| WMZ11-16P10RH265                                    | 10         | 260              | 210  | 525           | 265                    | 1.8          |                    | 17.5      | 5    | 0.6 |
| WMZ11-15P10RH265                                    | 10         | 250              | 200  | 500           | 265                    | 1.8          |                    | 16        | 5    | 0.6 |
| WMZ11-13P10RH265                                    | 10         | 260              | 200  | 520           | 265                    | 1.8          |                    | 14        | 5    | 0.6 |
| WMZ11-13P12RH265                                    | 12         | 225              | 180  | 450           | 265                    | 1.8          |                    | 14        | 5    | 0.6 |
| WMZ11-12P10RH265                                    | 10         | 250              | 200  | 500           | 265                    | 1.8          |                    | 13.5      | 5    | 0.6 |
| WMZ11-12P15RH265                                    | 15         | 180              | 140  | 350           | 265                    | 1.8          |                    | 13.5      | 5    | 0.6 |
| WMZ11-10P15RH265                                    | 15         | 180              | 140  | 350           | 265                    | 1.2          |                    | 11        | 5    | 0.6 |
| WMZ11-10P39RH265                                    | 39         | 130              | 100  | 250           | 265                    | 1.2          |                    | 11        | 5    | 0.6 |
| WMZ11-08P15RH250                                    | 15         | 150              | 120  | 300           | 250                    | 0.8          |                    | 9         | 5    | 0.6 |
| WMZ11-08P25RH265                                    | 25         | 130              | 100  | 250           | 265                    | 0.8          |                    | 9         | 5    | 0.6 |
| WMZ11-08P35RH265                                    | 35         | 115              | 90   | 225           | 265                    | 0.8          |                    | 9         | 5    | 0.6 |
| WMZ11-08P45RH265                                    | 45         | 105              | 80   | 200           | 265                    | 0.8          |                    | 9         | 5    | 0.6 |
| WMZ11-08P55RH265                                    | 55         | 90               | 70   | 180           | 265                    | 0.8          |                    | 9         | 5    | 0.6 |
| WMZ11-07P82RH265                                    | 82         | 70               | 50   | 140           | 265                    | 0.6          |                    | 8         | 5    | 0.6 |
| WMZ11-07P56RH265                                    | 56         | 90               | 60   | 175           | 265                    | 0.6          |                    | 8         | 5    | 0.6 |
| WMZ11-06P33RH250                                    | 33         | 110              | 85   | 200           | 250                    | 0.4          |                    | 7         | 5    | 0.6 |
| WMZ11-05P70RH265                                    | 70         | 65               | 50   | 130           | 265                    | 0.3          |                    | 6.5       | 5    | 0.6 |
| WMZ11-05P85RH265                                    | 85         | 60               | 45   | 120           | 265                    | 0.3          |                    | 6.5       | 5    | 0.6 |
| WMZ11-05P39RH250                                    | 39         | 80               | 65   | 160           | 250                    | 0.2          |                    | 6.5       | 5    | 0.6 |
| WMZ11-05P121H265                                    | 120        | 45               | 35   | 90            | 265                    | 0.3          | 6.5                | 5         | 0.6  |     |
| WMZ11-05P181H265                                    | 180        | 40               | 30   | 80            | 265                    | 0.3          | 6.5                | 5         | 0.6  |     |
| WMZ11-04P70RH250                                    | 70         | 50               | 40   | 100           | 250                    | 0.2          | 5.5                | 5         | 0.6  |     |
| WMZ11-04P121H265                                    | 120        | 40               | 30   | 80            | 265                    | 0.2          | 5.5                | 5         | 0.6  |     |
| WMZ11-03P151H250                                    | 150        | 40               | 30   | 75            | 250                    | 0.2          | 4.5                | 5         | 0.5  |     |
| WMZ11-10N12RH250                                    | 12         | 170              | 130  | 340           | 250                    | 1.2          | 70                 | 11        | 5    | 0.6 |
| WMZ11-10N18RH265                                    | 18         | 145              | 110  | 290           | 265                    | 1.2          |                    | 11        | 5    | 0.6 |
| WMZ11-10N22RH265                                    | 22         | 125              | 90   | 250           | 265                    | 1.2          |                    | 11        | 5    | 0.6 |
| WMZ11-07N22RH250                                    | 22         | 120              | 90   | 225           | 250                    | 0.5          |                    | 8         | 5    | 0.6 |
| WMZ11-05N151H265                                    | 150        | 38               | 30   | 80            | 265                    | 0.3          |                    | 6.5       | 5    | 0.6 |
| WMZ11-05N301H265                                    | 300        | 27               | 20   | 55            | 265                    | 0.3          |                    | 6.5       | 5    | 0.6 |
| WMZ11-05N601H265                                    | 600        | 20               | 15   | 40            | 265                    | 0.2          |                    | 6.5       | 5    | 0.6 |
| WMZ11-05N102H265                                    | 1000       | 15               | 12   | 30            | 265                    | 0.2          |                    | 6.5       | 5    | 0.6 |
| WMZ11-04N151H265                                    | 150        | 36               | 28   | 80            | 265                    | 0.3          |                    | 5.5       | 5    | 0.6 |

|  |     |     |     |     |     |     |      |      |     |     |
|--|-----|-----|-----|-----|-----|-----|------|------|-----|-----|
| WMZ11-03N151H265   | 150 | 33  | 25  | 65  | 265 | 0.2 | 70   | 4.5  | 5   | 0.5 |
| WMZ11-03N101H250   | 100 | 40  | 30  | 80  | 250 | 0.2 |      | 4.5  | 5   | 0.5 |
| WMZ11-03N70RH250   | 70  | 45  | 35  | 90  | 250 | 0.1 |      | 4.5  | 5   | 0.5 |
| WMZ11-08M12RH250   | 12  | 120 | 70  | 220 | 250 | 0.8 | 80   | 9    | 5   | 0.6 |
| WMZ11-08M25RH265   | 25  | 85  | 50  | 170 | 265 | 0.8 |      | 9    | 5   | 0.6 |
| WMZ11-08M35RH265   | 35  | 80  | 50  | 150 | 265 | 0.8 |      | 9    | 5   | 0.6 |
| WMZ11-08M50RH265   | 50  | 60  | 40  | 120 | 265 | 1   |      | 9    | 5   | 0.6 |
| WMZ11-07M101H265   | 100 | 50  | 30  | 100 | 265 | 0.6 |      | 8    | 5   | 0.6 |
| WMZ11-05M70RH250   | 70  | 50  | 30  | 100 | 250 | 0.3 |      | 6.5  | 5   | 0.6 |
| WMZ11-05M121H265   | 120 | 30  | 20  | 60  | 265 | 0.3 |      | 6.5  | 5   | 0.6 |
| WMZ11-03M101H250   | 100 | 25  | 18  | 55  | 250 | 0.2 |      | 4.5  | 5   | 0.5 |
| WMZ11-03M151H265   | 150 | 22  | 15  | 45  | 265 | 0.2 |      | 4.5  | 5   | 0.5 |
| Transformer protection (For application in transformer wire coil)      |     |     |     |     |     |     |      |      |     |     |
| WMZ11-05N121H265   | 120 | 45  | 25  | 90  | 265 | 0.4 | 100  | 6.5  | 5   | 0.6 |
| WMZ11-05N151H265   | 150 | 38  | 20  | 80  | 265 | 0.4 |      | 6.5  | 5   | 0.6 |
| WMZ11-07N22RH265   | 22  | 110 | 60  | 220 | 265 | 0.7 |      | 8    | 4.5 | 0.6 |
| WMZ11-07N32RH265   | 32  | 95  | 50  | 190 | 265 | 0.7 |      | 8    | 4.5 | 0.6 |
| WMZ11-07N55RH265   | 55  | 70  | 40  | 140 | 265 | 0.7 |      | 8    | 5   | 0.6 |
| WMZ11-08N30RH265   | 30  | 100 | 55  | 200 | 265 | 1   |      | 9    | 5   | 0.6 |
| WMZ11-08N35RH265   | 35  | 90  | 50  | 180 | 265 | 1   |      | 9    | 5   | 0.6 |
| WMZ11-08N40RH265   | 40  | 85  | 45  | 170 | 265 | 1   |      | 9    | 5   | 0.6 |
| WMZ11-08N39RH265   | 39  | 95  | 50  | 180 | 265 | 1.2 |      | 9.5  | 5   | 0.6 |
| WMZ11-08N25RH265   | 25  | 110 | 60  | 220 | 265 | 1.2 |      | 9.5  | 5   | 0.6 |
| WMZ11-10N22RH265   | 22  | 125 | 70  | 250 | 265 | 1.5 |      | 11   | 5   | 0.6 |
| WMZ11-10N18RH265   | 18  | 145 | 80  | 290 | 265 | 1.5 |      | 11   | 5   | 0.6 |
| WMZ11-10N12RH265   | 12  | 170 | 95  | 340 | 265 | 1.5 |      | 11   | 5   | 0.6 |
| WMZ11-12N22RH265   | 22  | 125 | 100 | 250 | 265 | 2   |      | 13.5 | 5   | 0.6 |
| WMZ11-12N18RH265   | 18  | 180 | 100 | 360 | 265 | 2   |      | 13.5 | 5   | 0.6 |
| WMZ11-12N12RH265   | 12  | 210 | 120 | 420 | 265 | 2   |      | 13.5 | 5   | 0.6 |
| WMZ11-15N18RH265   | 18  | 170 | 140 | 350 | 265 | 2   | 16.5 | 5    | 0.6 |     |
| Transformer protection (For application outside transformer wire coil) |     |     |     |     |     |     |      |      |     |     |
| WMZ11-16P6R0H265   | 6   | 390 | 300 | 780 | 265 | 3.1 | 120  | 17.5 | 5   | 0.6 |
| WMZ11-13P10RH265   | 10  | 260 | 200 | 520 | 265 | 1.8 |      | 14   | 5   | 0.6 |
| WMZ11-12P10RH265   | 10  | 250 | 200 | 500 | 265 | 1.8 |      | 13.5 | 5   | 0.6 |
| WMZ11-10P15RH265   | 15  | 180 | 140 | 350 | 265 | 1.2 |      | 11   | 5   | 0.6 |
| WMZ11-08P25RH265   | 25  | 130 | 100 | 250 | 265 | 0.8 |      | 9    | 5   | 0.6 |
| WMZ11-08P35RH265   | 35  | 115 | 90  | 225 | 265 | 0.8 |      | 9    | 5   | 0.6 |
| WMZ11-08P45RH265   | 45  | 105 | 80  | 200 | 265 | 0.8 |      | 9    | 5   | 0.6 |
| WMZ11-08P55RH265   | 55  | 90  | 70  | 180 | 265 | 0.8 |      | 9    | 5   | 0.6 |
| WMZ11-05P70RH265   | 70  | 65  | 50  | 130 | 265 | 0.3 |      | 6.5  | 5   | 0.6 |
| WMZ11-03P151H250   | 150 | 40  | 30  | 75  | 250 | 0.2 |      | 4.5  | 5   | 0.5 |

Notes:

1.  $R_{25}$  resistance tolerance can be selected upon customer's requirement.
2. Pin kinked form can be selected.
3. Packing can be made upon customer's requirement.