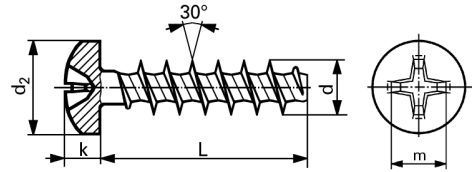


A2

www.DataSheet4U.com

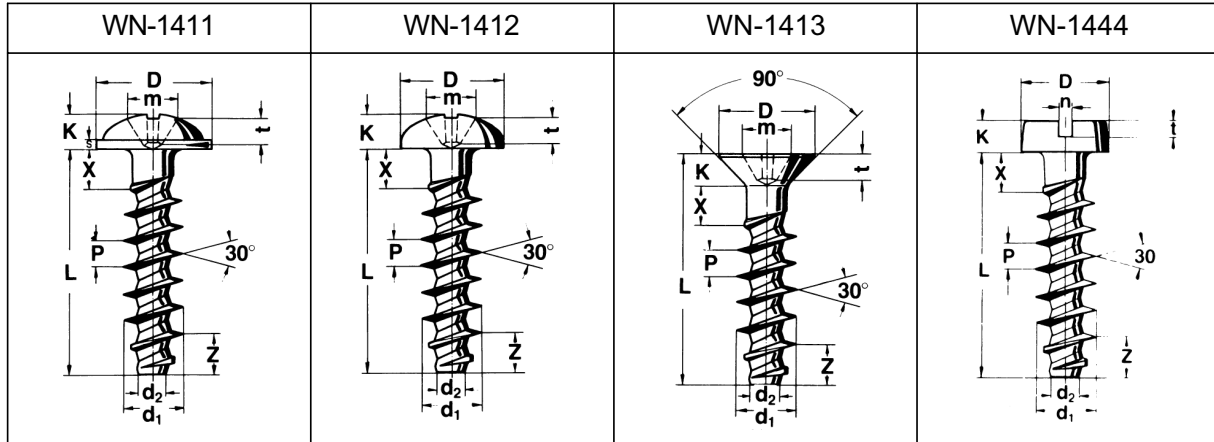
PT oval head screws, type H (Phillips)
stainless steel



WN 1412-A

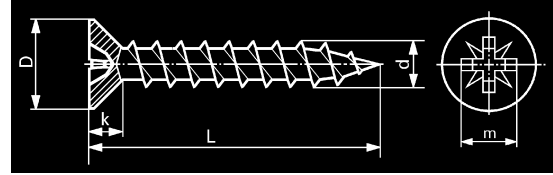
d	2,5 (K 25)		3 (K 30)		3,5 (K 35)		4 (K 40)	
D	4,4		5,3		6,1		7	
k	1,7		2		2,5		2,7	
m	No. 1		1		2		2	
L	quantity		1000	10000	1000	10000	1000	10000
8	8.70	7.20	11.30	10.20			14.-	12.50
10	9.10	8.20	12.50	10.60	13.40	12.10	14.20	12.80
12	13.80	12.40	14.80	13.30	15.70	14.15	16.50	14.85
14	15.-	13.50					17.30	15.60
16	15.80	14.50	15.90	14.30	17.20	15.50	18.20	16.-
20			16.30	14.70	17.30	15.60	18.60	16.70
22							19.-	17.10
25							27.-	24.30
30							27.25	24.50
35							27.50	24.75

Exsamples of other standardized head styles.



		Nominal Ø	K 15	K 18	K 22	K 25	K 30	K 35	K 40	K 50	K 60	K 70	
	Thread major Ø	d_1	1,5	1,8	2,2	2,5	3,0	3,5	4,0	5,0	6,0	7,0	
	Thread minor Ø	d_2	0,89	1,04	1,25	1,40	1,66	1,91	2,17	2,68	3,19	3,70	
	Pitch	P	0,67	0,80	0,98	1,12	1,34	1,57	1,79	2,24	2,69	3,14	
	Thread run-out N_{max}	normal l. $3 \cdot d_1$	1,5	1,8	2,2	2,5	3,0	3,5	4,0	5,0	6,0	7,0	
		short l # $3 \cdot d_1$	0,75	0,9	1,1	1,3	1,5	1,8	2,0	2,5	3,0	3,5	
WN 1411	Head diameter	D			4,4	5,0	6,0	7,0	8,0	10,0	12,0	14,0	
	Head height	K			1,6	1,8	2,1	2,4	2,5	3,2	4,0	4,6	
	Washer thickness	S			0,5	0,6	0,7	0,8	0,9	1,1	1,3	1,5	
	A	H- dimension/recess No.	$\approx m$			2,4/1	2,6/1	2,9/1	3,5/2	4,1/2	4,8/2	6,4/3	7,0/3
		Cross depth	t			0,68	0,82	1,15	1,07	1,33	1,98	2,24	2,84
	B	Z- dimension/recess No.	$\approx m$			2,5/1	2,6/1	2,8/1	3,8/2	4,2/2	4,7/2	6,3/3	7,0/3
Cross depth		t			0,86	1,01	1,26	1,08	1,40	2,01	2,27	2,91	
WN 1412	Head diameter	D	2,6	3,2	3,9	4,4	5,3	6,1	7,0	8,8	10,5	12,3	
	Head height	K	1,1	1,2	1,5	1,7	2,0	2,5	2,7	3,4	4,0	4,5	
	A	H- dimension/recess No.	$\approx m$	1,6/0	1,8/0	2,4/1	2,6/1	2,9/1	4,0/2	4,3/2	4,9/2	6,5/3	7,1/3
		Cross depth	t	0,55	0,70	0,74	0,92	1,19	1,23	1,51	2,12	2,44	3,00
	B	Z- dimension/recess No.	$\approx m$	1,7/0	1,8/0	2,4/1	2,6/1	2,9/1	3,9/2	4,3/2	4,1/2	6,6/3	7,1/3
		Cross depth	t	0,55	0,70	0,92	1,08	1,36	1,26	1,62	2,23	2,57	3,14
WN 1413	Head diameter	D			3,0	3,8	4,7	5,5	7,3	8,4	9,3	11,3	
	Head height	K			1,0	1,2	1,7	1,8	2,5	2,9	3,0	3,8	
	A	H- dimension/recess No.	$\approx m$			1,6/0	1,8/0	2,6/1	2,7/1	3,9/2	4,2/2	4,6/2	5,2/2
		Cross depth	t			0,55	0,78	0,97	1,10	1,33	1,59	2,04	2,59
	B	Z- dimension/recess No.	$\approx m$			1,6/0	1,8/0	2,6/1	2,7/1	4,0/2	4,2/2	4,6/2	5,1/2
		Cross depth	t			0,56	0,75	1,09	1,20	1,47	1,70	2,06	2,60
WN 1444	Head diameter	D			3,8	3,8	5,0	5,5	6,0	7,0	8,5		
	Head height	K			1,6	1,6	1,7	2,0	2,2	2,6	3,3		
	Slot width	n			0,6	0,6	0,8	0,8	0,8	1,0	1,2		
	Slot depth	t			0,7	0,7	0,75	0,9	1,1	1,2	1,5		
					0,9	0,9	1,0	1,15	1,4	1,5	1,8		

Cross recessed flat head chipboard screws, stainless steel type Z (Pozidriv)



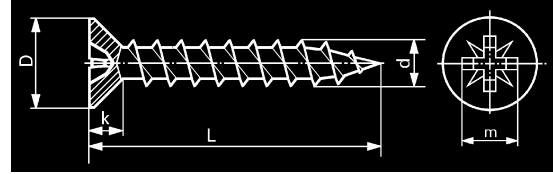
K 527

d	3			3,5			4			
D	6			7			8			
k	2			2,3			2,7			
m	2			2			2			
L	quantity	100	1000	10 000	100	1000	10 000	100	1000	10 000
12		8.80	6.10	5.50						
16		9.20	6.30	5.70	11.60	8.20	6.80	14.50	10.10	8.50
20		9.80	6.90	6.30	12.-	8.40	7.-	14.50	10.10	8.50
25		11.50	8.10	6.80	12.90	9.-	7.60	16.-	11.20	9.40
30		14.10	10.-	8.40	14.50	10.10	8.50	16.40	11.40	9.60
35		18.90	13.20	11.20	17.70	12.40	10.50	18.20	12.70	10.70
40					20.25	14.-	11.80	20.75	14.50	12.30
45								22.75	15.90	13.60
50								23.50	16.40	14.75
60								29.50	19.20	16.80

----- Below dash-line: fully or partially threaded at our option

* Length 12 and 16 mm may be longer by 1 mm (inch sizes)

Cross recessed flat head
chipboard screws, stainless steel
type Z (Pozidriv)



K 527

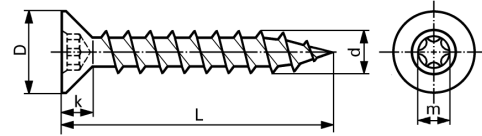
d	4,5			5			6			
D	9			10			12			
k	3			3,3			4			
m	2			2			3			
L	quantity	100	1000	10 000	100	1000	10 000	100	1000	10 000
20					26.10	18.30	15.50			
25					26.50	18.60	15.80			
30	21.75	15.10	12.90	26.75	18.80	16.-				
35	26.50	18.60	15.80	28.50	20.-	18.-				
40	27.50	19.10	16.30	31.-	21.75	19.10	57.-	40.80	35.60	
45	30.50	21.25	18.40	33.-	24.-	21.60				
50	33.25	23.25	19.60	36.25	26.25	22.80	58.50	42.50	37.50	
60				40.50	29.50	25.40	65.50	47.50	41.10	
70				59.50	43.50	37.60	69.-	50.-	43.55	
80				65.50	47.50	41.40	79.-	57.50	50.10	
100							98.50	74.50	62.20	
120							137.-	104.-	93.60	

----- Below dash-line: fully or partially threaded at our option

* Length 12 and 16 mm may be longer by 1 mm (inch sizes)

Maryland Metrics Fastener Catalog - Chapter E Owings Mills, MD 21117 USA

Hexalobular socket flat head
chipboard screws
stainless steel

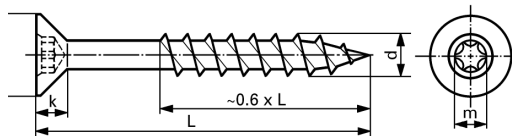


K 537

d	3			3,5			4		
D	6			7			8		
k	2			2,3			2,7		
m (TX)	T10			T15			T15		
L quantity	100	1000	10 000	100	1000	10 000	100	1000	10 000
12	8.50	5.-	4.50						
16	8.80	7.-	5.90	12.-	10.50	9.30	10.60	9.50	8.30
20	9.40	7.60	6.50	12.50	11.-	9.80	11.60	10.40	9.10
25	9.70	7.90	6.80	13.45	12.60	10.30	12.20	11.20	10.50
30	10.70	8.90	7.90						

d	4,5			5			6		
D	9			10			12		
k	3			3,3			4		
m (TX)	T25			T25			T25		
L quantity	100	1000	10 000	100	1000	10 000	100	1000	10 000
20	13.70	12.90	10.60	18.-	16.50	14.50			
25	14.80	13.85	11.75	19.50	18.-	16.-			
30	15.30	14.25	12.60	20.40	19.50	17.10			
35	15.90	14.80	13.10	23.50	21.10	18.60			
40				26.-	23.40	20.80	38.-	32.-	29.-
45							39.50	33.60	30.55
50							45.-	36.-	33.-

Hexalobular socket flat head chipboard screws, partially threaded stainless steel



K 537B

d	3,5			4			
D	7			8			
k	2,3			2,7			
m (TX)	T15			T15			
L quantity	100	1000	10 000	100	1000	10 000	
30	14.80	13.80	11.50	15.-	13.10	11.60	
35				16.-	14.10	12.60	
40	15.20	14.40	11.90	17.30	15.90	13.65	
45				18.80	16.60	14.70	
50	18.10	16.90	13.55	20.20	17.90	15.80	
60				23.-	20.45	17.10	

d	4,5			5			6		
D	9			10			12		
k	3			3,3			4		
m (TX)	T25			T25			T25		
L quantity	100	1000	10 000	100	1000	10 000	100	1000	10 000
40	22.-	19.-	16.10						
45	23.50	20.80	18.10	28.10	24.50	21.30			
50	25.-	22.60	20.50	29.40	25.55	22.60	44.-	37.-	33.50
60	27.-	24.65	22.70	31.-	27.15	24.25	46.-	39.-	35.50
70	34.50	29.20	27.05	34.-	30.60	27.20	50.-	44.-	39.-
80				36.-	32.50	29.40	64.50	55.20	50.80
100				65.-	54.-	48.-	71.-	59.60	54.-
120							85.-	76.-	72.10