

**OBSOLETE PRODUCT**

Contact Factory for Replacement Model



- 2:1 Input Voltage Range
- Operating Temperature Range: -40°C to +100°C
- Industrial Standard 24 Pin DIL
- Metal Case
- Low Profile 0.4 Inch
- Short Circuit Protection
- Temperature Shutdown

The WP06R SERIES is a family of high performance DC/DC converters that offers regulated output power over three input voltage ranges of 9-18V, 18-36V, and 34-75V and over a wide operating temperature range of -40°C to +100°C without derating.

The 200kHz switching frequency and flyback converter topology provide

optimum performance in a space-saving package. The design utilizes all surface mounted components, including magnetics, to provide enhanced reliability. All models will operate under no-load conditions, although a minimum load is specified for load regulation measurement purposes.

The converter is packaged in a metal

case for improved EMI shielding and immunity, and for superior thermal performance.

Applications include: Telecommunications, Battery Powered Systems, Portable Instruments, Process Control Equipment, Transportation Equipment and Distributed Power Systems.

**PRODUCT SELECTION CHART**

MODEL*	NOMINAL INPUT VOLTAGE (VDC)	RATED OUTPUT VOLTAGE (VDC)	OUTPUT CURRENT (mA)		INPUT CURRENT (mA)		EFFICIENCY (%)
			MIN LOAD	RATED LOAD	MIN LOAD	RATED LOAD	
WP06R12S05	12	5.0	100	1,000	75	540	75
WP06R12S12	12	12.0	42	416	75	520	77
WP06R12S15	12	15.0	33	333	75	520	77
WP06R12D05	12	+/-5.0	+/-50	+/-500	75	540	75
WP06R12D12	12	+/-12.0	+/-21	+/-208	75	520	77
WP06R12D15	12	+/-15.0	+/-17	+/-167	75	520	77
WP06R24S05	24	5.0	100	1,000	35	265	79
WP06R24S12	24	12.0	50	500	40	305	80
WP06R24S15	24	15.0	40	400	40	305	80
WP06R24D05	24	+/-5.0	+/-50	+/-500	35	265	79
WP06R24D12	24	+/-12.0	+/-25	+/-250	40	310	80
WP06R24D15	24	+/-15.0	+/-20	+/-200	40	310	80
WP06R48S05	48	5.0	100	1,000	18	130	80
WP06R48S12	48	12.0	50	500	22	150	81
WP06R48S15	48	15.0	40	400	22	150	81
WP06R48D05	48	+/-5.0	+/-50	+/-500	18	133	78
WP06R48D12	48	+/-12.0	+/-25	+/-250	22	151	81
WP06R48D15	48	+/-15.0	+/-20	+/-200	22	151	81

NOTES: Other input to output voltages may be available. Please consult factory.



For full details go to  
[www.murata-ps.com/rohs](http://www.murata-ps.com/rohs)

**SPECIFICATIONS, ALL MODELS**Specifications are at  $T_A = +25^\circ\text{C}$  nominal input voltage, rated output current unless otherwise specified.

PARAMETER		CONDITIONS	MIN	TYP	MAX	UNITS	
<b>INPUT</b>	Voltage Range		9	12	18	$V_{DC}$	
			18	24	36	$V_{DC}$	
			34	48	75	$V_{DC}$	
	Reflected Ripple Current		20		mAp-p		
<b>OUTPUT</b>	<b>OUTPUT</b> Rated Power	12V Input Models			5.0	W	
		5V Output Models			5.0	W	
		All Other Models			6.0	W	
		Voltage Setpoint Accuracy			$\pm 1.5$	%	
		Temperature Coefficient		$\pm 0.02$		%/ $^\circ\text{C}$	
		Line Regulation - Singles	Low Line to High Line			$\pm 0.25$	%
		Line Regulation - Duals				$\pm 1.0$	%
		Load Regulation - Singles	Min. Load to Rated Load			$\pm 0.5$	%
		Load Regulation - Duals				$\pm 2.0$	%
		Ripple & Noise	BW = 5Hz to 20MHz		30	50	mVp-p
<b>GENERAL</b>	<b>ISOLATION</b>						
		Rated Voltage		1500		$V_{DC}$	
		Test Voltage	60 Hz, 10 Seconds	1500		VPK	
		Resistance			10	$\Omega$	
		Capacitance			200	pF	
		Leakage Current	$V_{iso} = 240\text{VAC}, 60\text{Hz}$		15	$\mu\text{Arms}$	
		Switching Frequency			200	KHz	
		MTTF per MIL-HDBK-217, Rev. F Ground Benign	Circuit Stress Method $T_A = +25^\circ\text{C}$		1200	KHr	
		Package Weight			15	g	
		Moisture Sensitivity Level (MSL)	IPC/JEDEC J-STD-20		2		
	<b>TEMPERATURE</b>						
		Specification (Ambient)		-40		+71	$^\circ\text{C}$
		Operation (Case)	Derate linearly from $71^\circ\text{C}$	-40		+100	$^\circ\text{C}$

**REMOTE ON/OFF CONTROL**

Logic Compatibility ..... CMOS or Open Collector TTL  
 EC On ..... Open Circuit or > 3VDC  
 EC Off ..... < 1VDC  
 Shutdown Idle Current ..... 1mA  
 Control Common ..... -Vin

**ABSOLUTE MAXIMUM RATINGS**

Output Short-Circuit Protection  
 (At  $T_A + 25^\circ\text{C}$ , nominal input voltage) ..... Continuous  
 Internal Power Dissipation ..... 1.5W  
 Lead Temperature (Soldering, 10s Max) .....  $+300^\circ\text{C}$   
 Max Case Temperature .....  $+100^\circ\text{C}$

**ORDERING INFORMATION**

WP06R XXYZZ P/N R

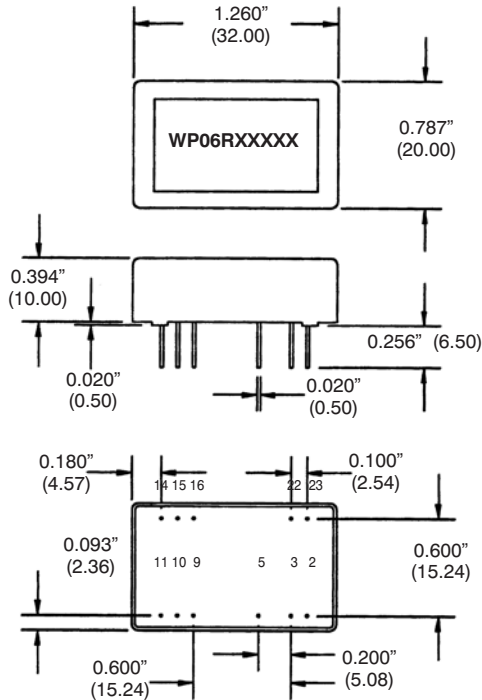
Device Family  
5-6W regulated DC/DC

Model Number  
 xx = Input Voltage  
 y = Number of Outputs (S=single; D=dual)  
 zz = Output Voltage

Case Connection (Specify N=Neg. or P=Pos.)  
 P = Positive Input Connection  
 N = Negative Input Connection

Remote On/Off (Optional)

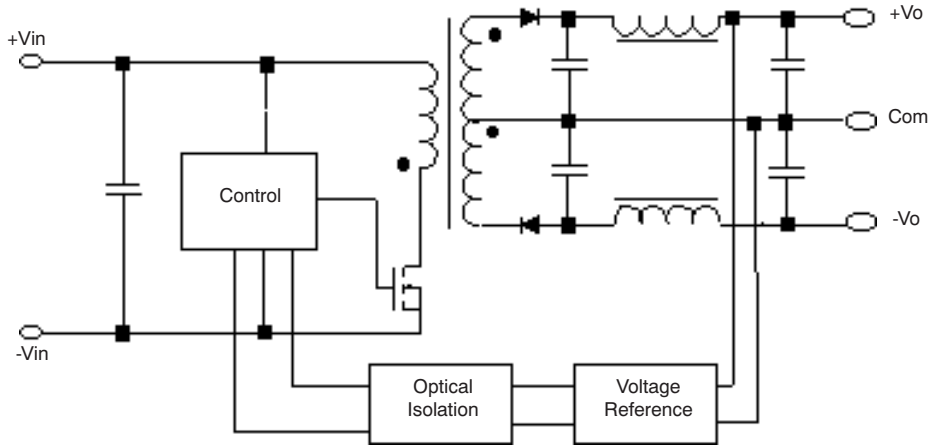
**MECHANICAL**



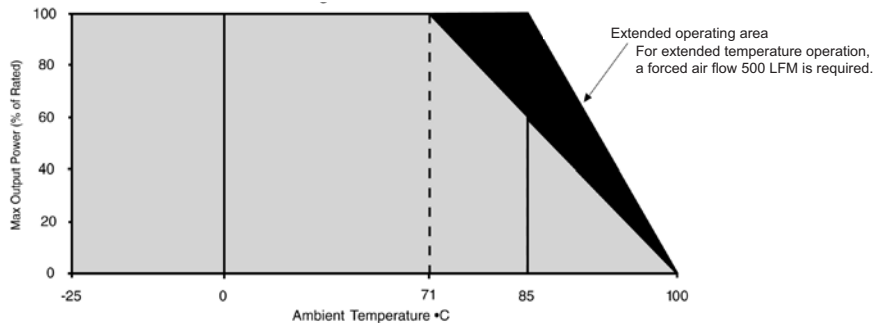
PIN CONNECTIONS		
Number	Pin Function	
	Singles	Duals
2	-Vin	-Vin
3	-Vin	-Vin
5	On/Off (Optional)	On/Off (Optional)
9	No Connection	Com
10	No Connection	No Connection
11	No Connection	-Vout
14	+Vout	+Vout
15	No Connection	No Connection
16		-Vout Com
22	+Vin	+Vin
23	+Vin	+Vin

**NOTES:**  
 1) All dimensions in inches (mm)  
 2) Case is metal and lead material is brass with a solder plated surface to allow ease of solderability.

**SIMPLIFIED CIRCUIT SCHEMATIC**



**THERMAL DERATING CURVE**





Murata Power Solutions, Inc.

11 Cabot Boulevard, Mansfield, MA 02048-1151 U.S.A.

Tel: (508) 339-3000 (800) 233-2765 Fax: (508) 339-6356

[www.murata-ps.com](http://www.murata-ps.com) email: [sales@murata-ps.com](mailto:sales@murata-ps.com) ISO 9001 REGISTERED

Murata Power Solutions, Inc. makes no representation that the use of its products in the circuits described herein, or the use of other technical information contained herein, will not infringe upon existing or future patent rights. The descriptions contained herein do not imply the granting of licenses to make, use, or sell equipment constructed in accordance therewith. Specifications are subject to change without notice.

© 2008 Murata Power Solutions, Inc.

**USA:** Tucson (Az), Tel: (800) 547 2537, email: [sales@murata-ps.com](mailto:sales@murata-ps.com)

**Canada:** Toronto, Tel: (866) 740 1232, email: [toronto@murata-ps.com](mailto:toronto@murata-ps.com)

**UK:** Milton Keynes, Tel: +44 (0)1908 615232, email: [mk@murata-ps.com](mailto:mk@murata-ps.com)

**France:** Montigny Le Bretonneux, Tel: +33 (0)1 34 60 01 01, email: [france@murata-ps.com](mailto:france@murata-ps.com)

**Germany:** München, Tel: +49 (0)89-544334-0, email: [munich@murata-ps.com](mailto:munich@murata-ps.com)

**Japan:** Tokyo, Tel: 3-3779-1031, email: [sales\\_tokyo@murata-ps.com](mailto:sales_tokyo@murata-ps.com)

Osaka, Tel: 6-6354-2025, email: [sales\\_osaka@murata-ps.com](mailto:sales_osaka@murata-ps.com)

**Website:** [www.murata-ps.jp](http://www.murata-ps.jp)

**China:** Shanghai, Tel: +86 215 027 3678, email: [shanghai@murata-ps.com](mailto:shanghai@murata-ps.com)

Guangzhou, Tel: +86 208 221 8066, email: [guangzhou@murata-ps.com](mailto:guangzhou@murata-ps.com)