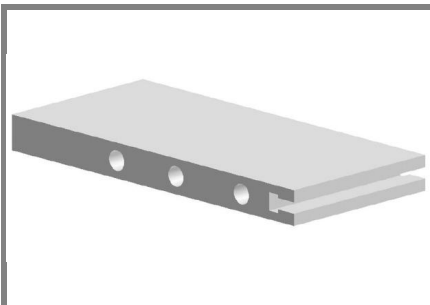


WP 16



Heatsink

Liquid cooling for isolated power modules

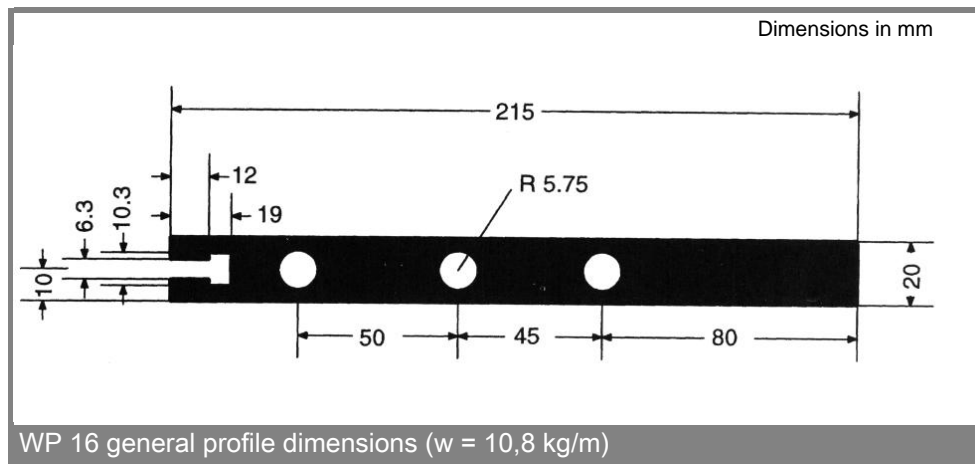
WP 16

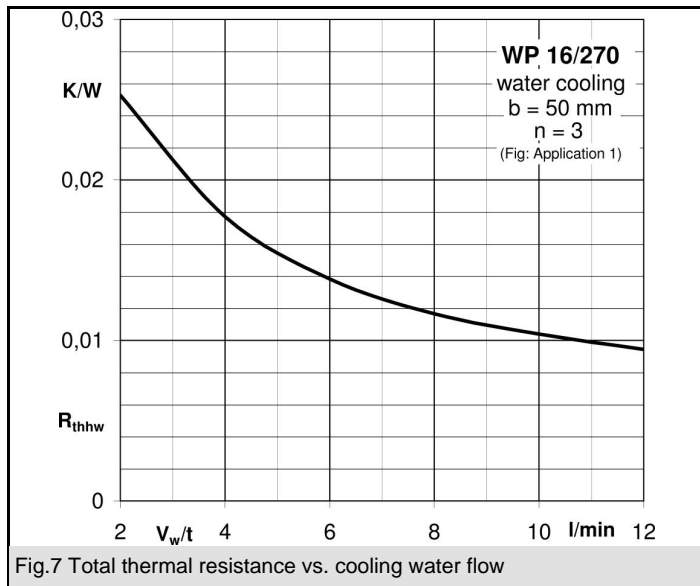
Publish Data

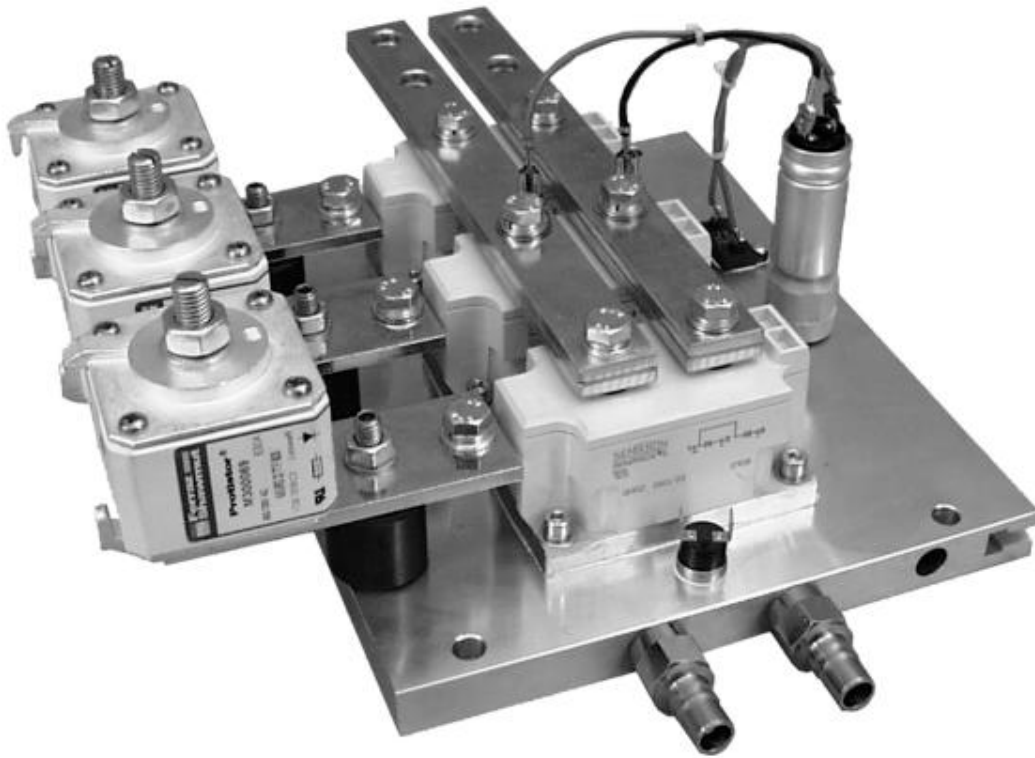
Features

- Intended for liquid cooling of power modules: SEMIPACK 3...4 and SEMITRANS 3...4
- Various lengths available on request

Standard lengths	n	b / d Ø mm	R _{thhw} (H ₂ O: V _w /t) water cooling K/W	R _{thhw} K/W	w kg
WP 16/270 (3 modules) (see fig.Appl.1)		50	0,014 (6 l/min) 0,0177 (4 l/min) 0,025 (2 l/min)		2,2







1. Application example using heatsink WP 16 and SEMIPACK 3 modules to give a three phase bridge rectifier stack