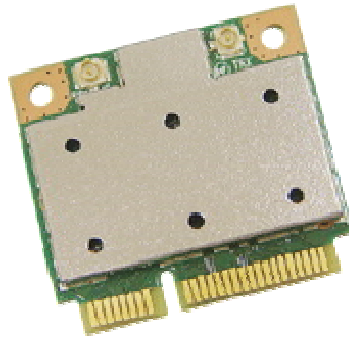




# WPEA-156GN

## Feature

- Chipset: Atheros AR9485
- Interface: Mini PCI Express
- Wireless connection up to 150Mbps
- RF 1T1R
- Enhanced wireless security: WEP, WPA, WPA2, WPS
- Support Windows XP/ Vista, Win 7, Linux, Android by request



## 802.11b/g/n Half Mini Card

*Atheros AR9485 1T1R Solution, up to 150Mbps*

### Cost-Effective Low-Power Consumption Solution

SparkLAN WPEA-156GN is an 802.11b/g/n Single-Band Half Mini Card based on Atheros AR9485 chipset. It runs up to 150Mbps, targeting at the growing computing products marketing with 150Mbps rate. By incorporating Atheros Align Technology, it improves the throughput, enhances Wi-Fi coverage, and extends battery life.

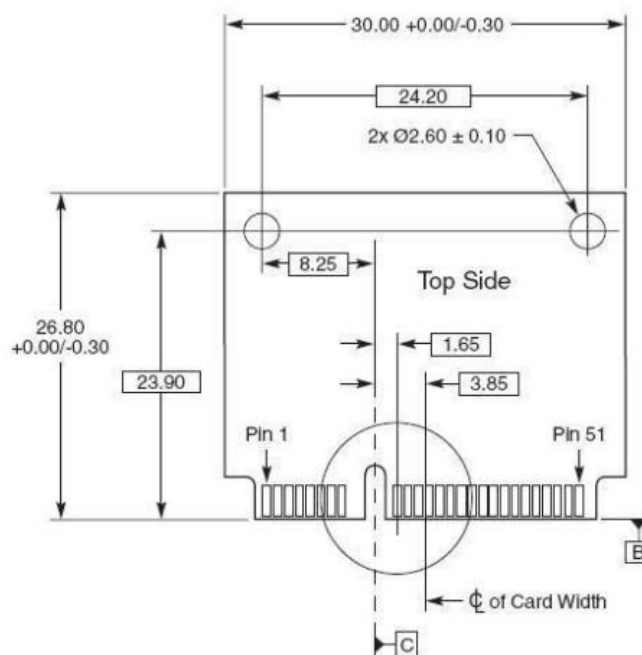
### Support Wi-Fi Direct

Atheros AR9485 chipset uses Atheros Direct Connect peer-to-peer technology, which enables your device that is embedded with WPEA-156GN to easily connect with other Wi-Fi enabled devices or peripherals.

## Application

- Networking Equipment
- Industrial Computers
- Automation
- Medical Device
- POS (Point-of-Sale) System
- Self-Service KIOSK
- Gaming Machine

## Mechanical Dimension (mm)

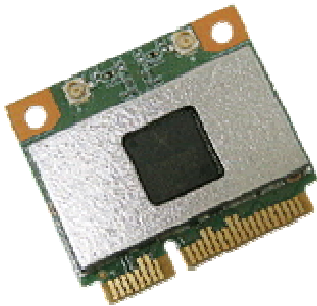




# WPEA-156GN

## Related Product

- WPEA-250GN  
802.11b/g/n Half Mini Card



## Specifications

### Standard

802.11b/g/n

### Chipset

Mac/BB/RF      Atheros AR9485

### Host Interface

Mini PCI Express

### Radio

Antenna      2 x U.FL connectors, 1T1R

Operating Frequency      b/g/n ISM Band: 2.400~2.4835GHz

Modulation  
 802.11b: DSSS (DBPSK, DQPSK, CCK)  
 802.11g: OFDM (BPSK, QPSK, 16-QAM, 64-QAM)  
 802.11n: OFDM (BPSK, QPSK, 16-QAM, 64-QAM)

Output Power (1T)  
 802.11b: 17dBm ± 2dBm@11Mbps  
 802.11g: 13dBm ± 2dBm@54Mbps  
 802.11gn HT20: 11dBm ± 2dBm@ MCS7  
 802.11gn HT40: 11dBm ± 2dBm@ MCS7

Receive Sensitivity (1R)  
 802.11b: -85dBm ± 2dBm@11Mbps  
 802.11g: -70dBm ± 2dBm@54Mbps  
 802.11gn HT20: -68dBm ± 2dBm@ MCS7  
 802.11gn HT40: -65dBm ± 2dBm@ MCS7

### Power consumption

Continue TX      310mA

Continue RX      180mA

### Operating Voltage

DC 3.3V ± 10%

### Environmental

Temperature Range      0 ~ 75°C (Operating)    -40~85°C (Storing)

Humidity (Non-Condensing)      5 ~ 90% (Operating)    5 ~ 95% (Storing)

### Physical Specification

Dimensions      30.00mm x 26.8mm x 3.20mm

Weight      ≤3.5g

### Software

Driver      Windows XP/ Vista, Win7, Linux, Android by request

Security      WEP, WPA, WPA2, WPS

## Ordering Info

- WPEA-156GN  
802.11b/g/n Half Mini Card