

CABLE MANAGEMENT

WS-SE-A

Wire Saddle, Side Entry

Fig. 1

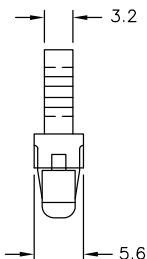
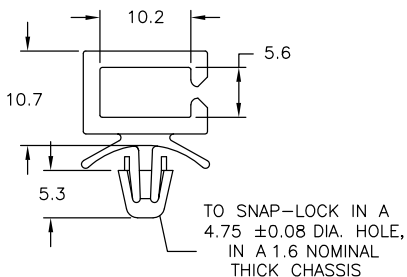


Fig. 2

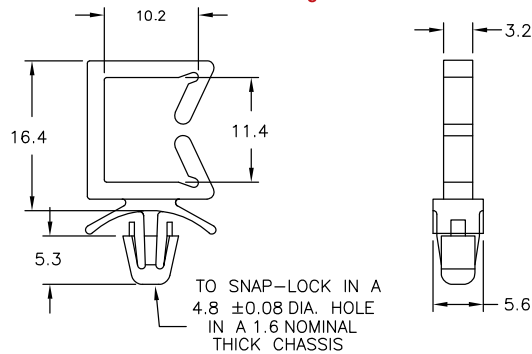


Fig. 3

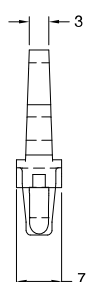
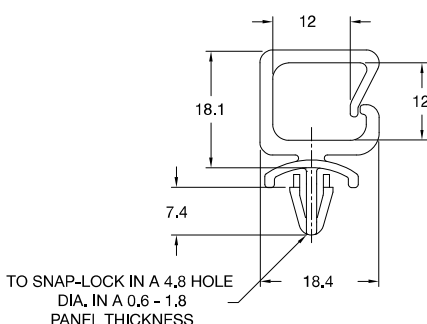
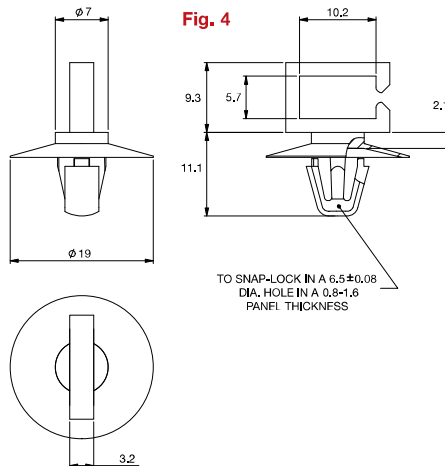


Fig. 4



Standard Pack: 1,000 per bag		Color: Natural
Part No.		Fig.
Mat'l: UL94 V2 Nylon 6/6, RMS-01	Mat'l: UL94 V0 Nylon 6/6, RMS-19	
WS-SE-A-1-01	WS-SE-A-1-19	1
WS-SE-A-2-01	WS-SE-A-2-19	2
WS-SE-A-3-01	WS-SE-A-3-19	3
NEW WS-SE-A-4-01	WS-SE-A-4-19	4

WS-9/LWS-9

Wire Saddle, Quarter Turn

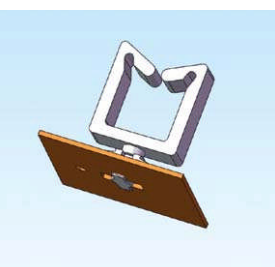
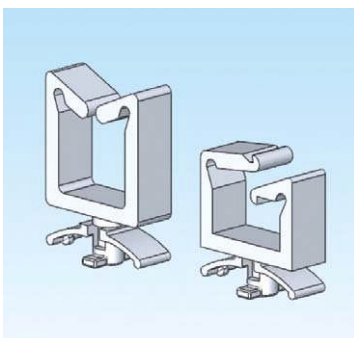


Fig. 1

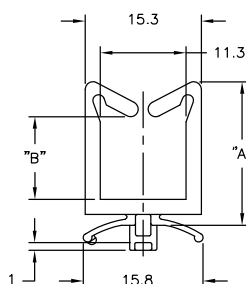
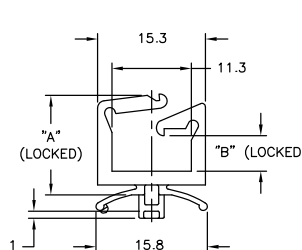
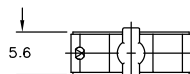
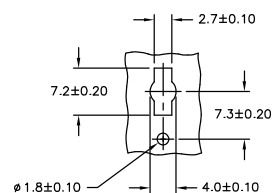


Fig. 2



MOUNTING HOLE DETAIL



PART TO FIT THE HOLE DETAIL IN A 0.80-1.60 THICK PANEL

Mat'l: UL94 V2 Nylon 6/6, RMS-01*			
Standard Pack: 1,000 per bag; Color: Natural			
Part No.	"A" Ref.	"B" Ref.	Fig.
WS-9-1-01	13	4.8	1
WS-9-2-01	17.8	10	
WS-9-3-01	26.9	19.1	
WS-9-4-01	34.8	27.2	2
LWS-9-1-01	13	3.8	
LWS-9-2-01	18	9.8	
LWS-9-3-01	27.2	19	
LWS-9-4-01	35.1	26.8	

*Available in UL94 V0 material. To order, replace -01 with -19