

WS3210C62

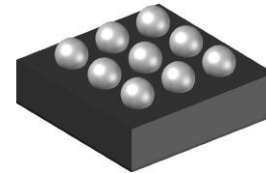
<http://www.sh-willsemi.com>

Over-Voltage Protection Load Switch

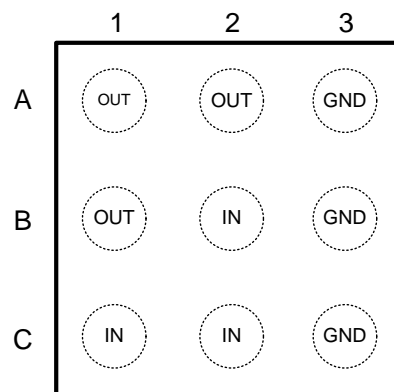
Descriptions

The WS3210C62 features a low R_{ON} internal High Voltage Switch and an input range of absolute maximum 30V. An internal input clamp is capable of shunting surge voltage >80V, protecting downstream components and enhancing system robustness. The WS3210C62 features Over-Voltage Protection (OVP) that shuts off the internal Switch if input voltage exceeds the Fixed OVP threshold. The off-state Switch can disconnect the input pin to output pin and protect output from the input high voltage stress. Integrated Over-Temperature Protection (OTP) also shuts off the Switch to protect the device.

The WS3210C62 is available in 1.4mm x 1.4mm WLCSP-9B package. Standard product is Pb-free and Halogen-free.



WLCSP-9B (Bottom View)



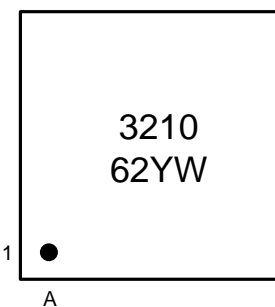
Pin Configuration (Top View)

Features

- Absolute Maximum Input Voltage : 30V
- Surge Protection : >80V
- Low R_{ON} Switch (@ $V_{IN}=5V$) : 45m Ω
- Fixed OVP Threshold : 6.2V
- Fast OVP Response : 100ns
- Thermal Shutdown Protection
- Robust ESD Protection
 - Human Body Model (HBM) : 8000V
 - Machine Model (MM) : 800V

Applications

- Mobile Handsets and Tablets
- Portable Media Players
- Peripherals



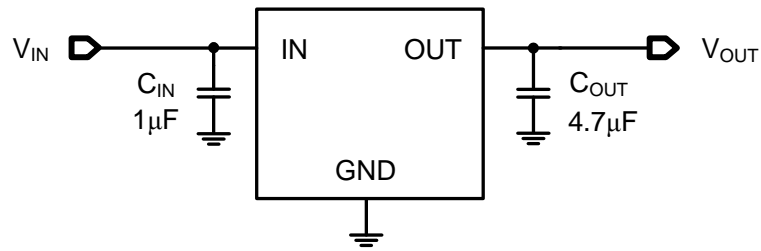
Marking

3210 = Device code
Y = Year code
W = Week Code

Order information

Device	Package	Shipping
WS3210C62-9/TR	WLCSP-9B	3000/Reel&Tape

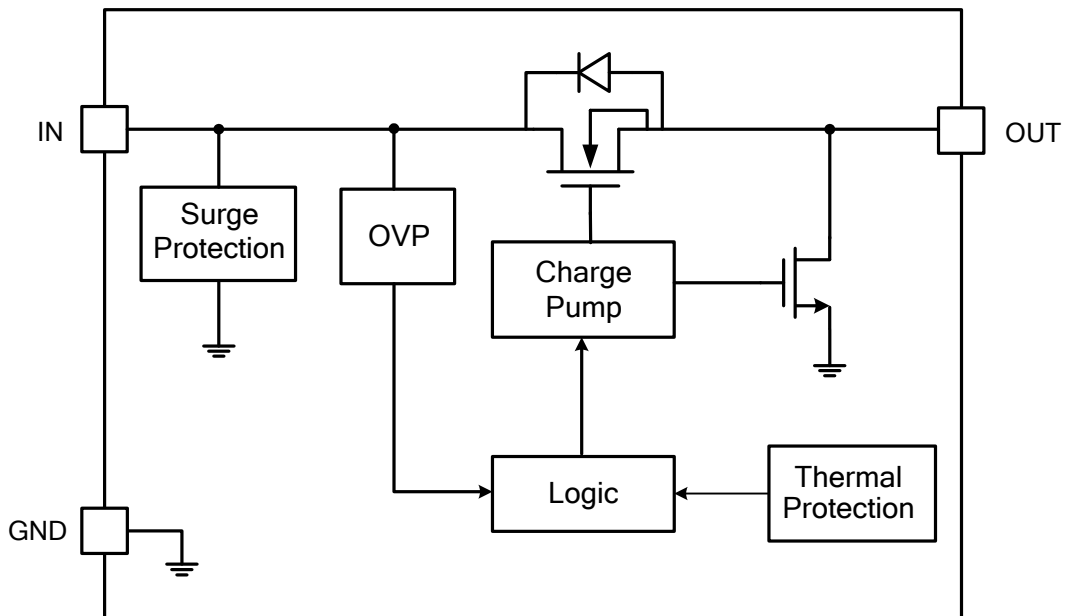
Typical Applications



Pin Descriptions

Pin Number	Symbol	Descriptions
1C, 2B, 2C	IN	Switch Input Pin and Device Power Supply.
1A, 1B, 2A	OUT	Switch Output Pin to Load.
3A, 3B, 3C	GND	Device Ground Pin.

Block Diagram



Absolute maximum ratings

Parameter	Symbol	Value	Unit	
V_IN voltage range	V _{IN}	-0.3~30	V	
V_OUT voltage range	V _{OUT}	-0.3~16	V	
Switch I/O Continuous Current	I _{IN}	3	A	
Switch FET Body Diode Continuous Current	I _{DIODE}	1.5	A	
Body Diode Forward Peak Pulse Current *1	I _{PP}	Pulse Width = 10ms	20	A
		Pulse Width = 20μs	50	A
Junction temperature	T _J	150	°C	
Lead temperature(Soldering, 10s)	T _L	260	°C	
Storage temperature	T _{STG}	-55~150	°C	
ESD Ratings	HBM	8000	V	
	MM	800	V	

***1 Single Pulse**

These are stress ratings only. Stresses exceeding the range specified under “Absolute Maximum Ratings” may cause substantial damage to the device. Functional operation of this device at other conditions beyond those listed in the specification is not implied and prolonged exposure to extreme conditions may affect device reliability.

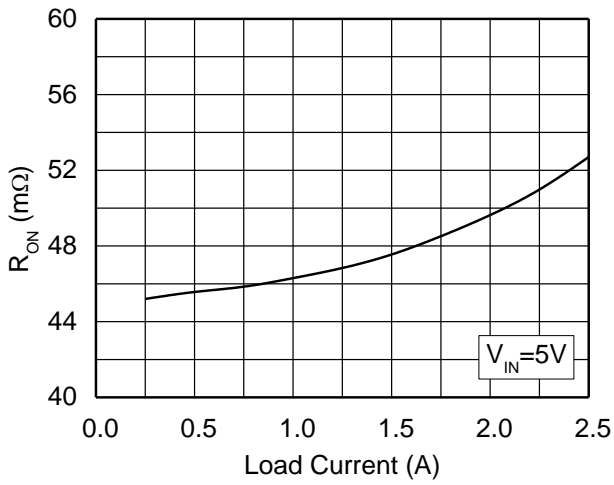
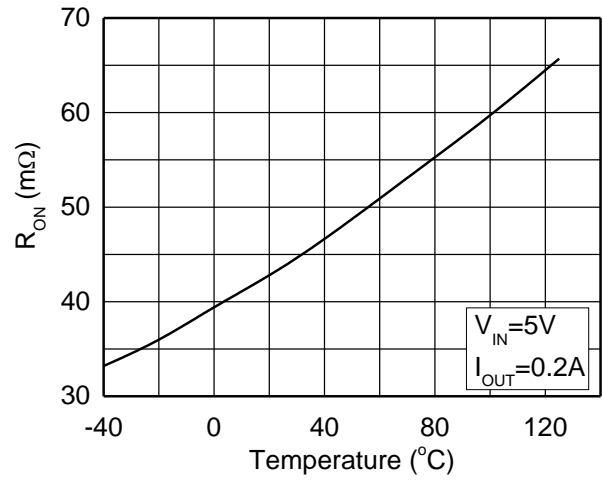
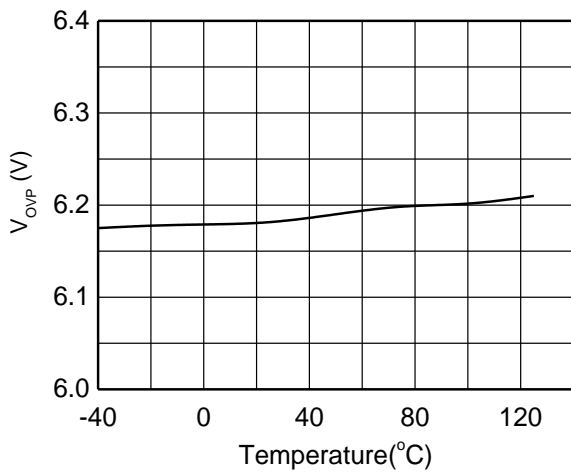
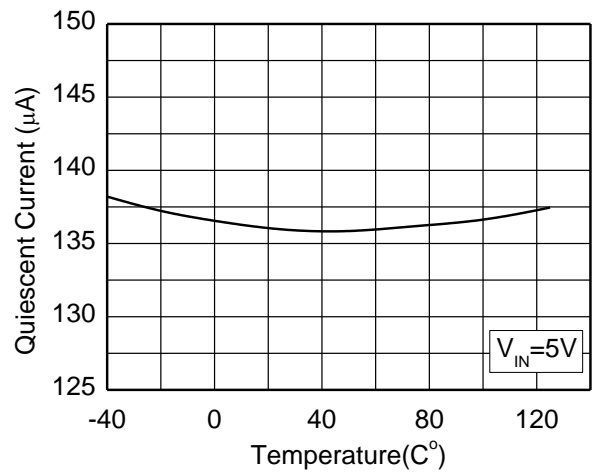
Recommend Operating Conditions

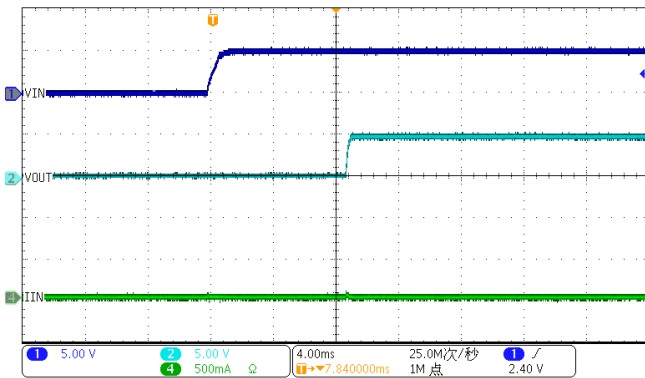
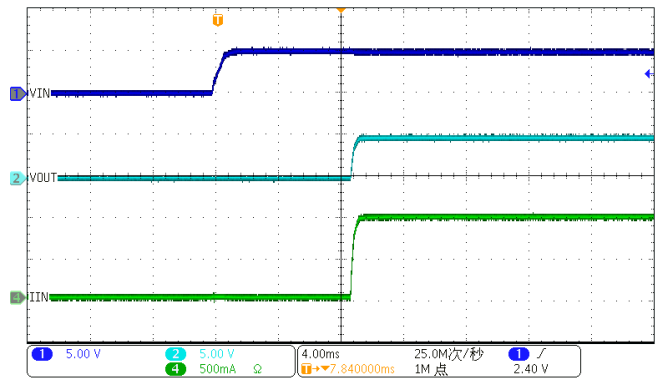
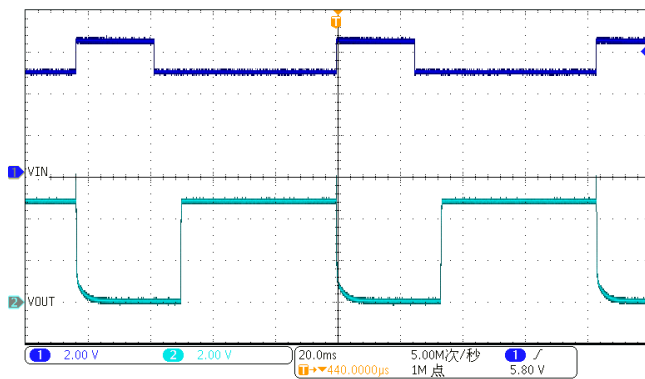
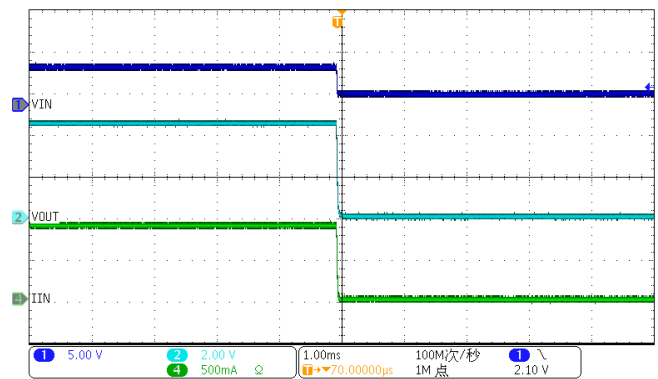
Parameter	Symbol	Value	Unit
VIN supply input voltage range	V _{cc}	3.2~28, typical=5	V
Operating ambient temperature	T _A	-40~85	°C
Thermal Resistance	R _{θJA}	95	°C/W

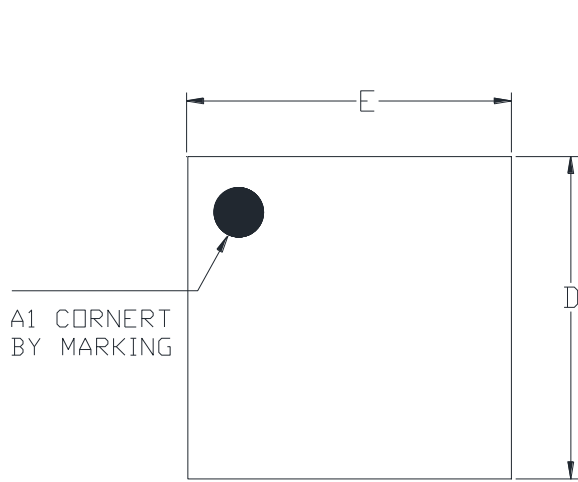
Electrical Characteristics

 ($T_A = 25^\circ\text{C}$, $V_{IN} = 5\text{V}$, $C_{IN} = 1\mu\text{F}$, $C_{OUT} = 4.7\mu\text{F}$, unless otherwise noted.)

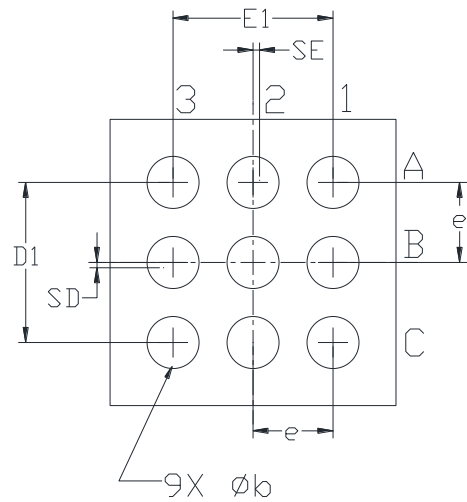
Parameter	Symbol	Conditions	Min.	Typ.	Max.	Units
Basic Operation						
Quiescent Supply Current	I_Q	$V_{IN} = 5\text{V}$, No Load		135	200	μA
UVLO Threshold Voltage	V_{UVLO}	V_{IN} Rising		2.4	3.2	V
Start-up Delay Time	T_{START_DLY}	$V_{IN} = 0 \rightarrow 5\text{V}$ to Output ON		7.5		ms
Main Switch ON-Resistance	R_{ON}	$V_{IN} = 5\text{V}$, $I_{OUT} = 1\text{A}$		45		$\text{m}\Omega$
Surge and Over-Voltage Protection						
Surge Voltage Protection	V_{SURGE}			88		V
VIN OVP Threshold	V_{OVP}	V_{IN} Rising	6.0	6.2	6.4	V
OVP Response Time	t_{OVP}	$V_{IN} = 5 \rightarrow 10\text{V}$		100		ns
OVP Hysteresis Voltage	V_{HYS_OVP}	V_{IN} Falling		0.1		V
OVP Recovery Time	t_{R_OVP}	$V_{IN} = 6.5 \rightarrow 5\text{V}$		7.5		ms
Output discharge resistance	R_{DCHG}	$V_{IN} = 6.5\text{V}$, $V_{OUT} = 5\text{V}$		120		Ω
Thermal Protection						
Over-Temperature Protection Threshold	T_{SD}			140		$^\circ\text{C}$
Over-Temperature Protection Hysteresis	T_{HYS}			20		$^\circ\text{C}$

Typical Characteristics ($T_A=25^\circ\text{C}$, unless otherwise noted)

ON Resistance vs. Load Current

ON Resistance vs. Temperature

OVP Threshold vs. Temperature

Quiescent Current vs. Temperature

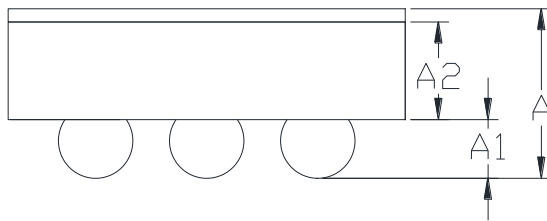
Power-On with No Load

Power-On with $R_L=5\Omega$

OVP and Recovery from OVP

Power-Off with $R_L=5\Omega$


PACKAGE OUTLINE DIMENSIONS
CSP-9L


TOP VIEW

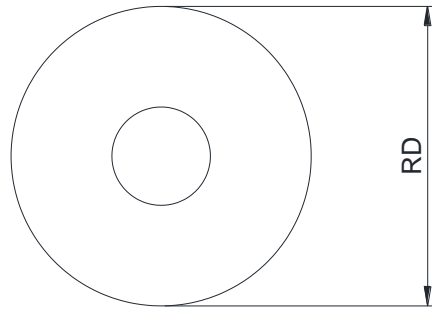
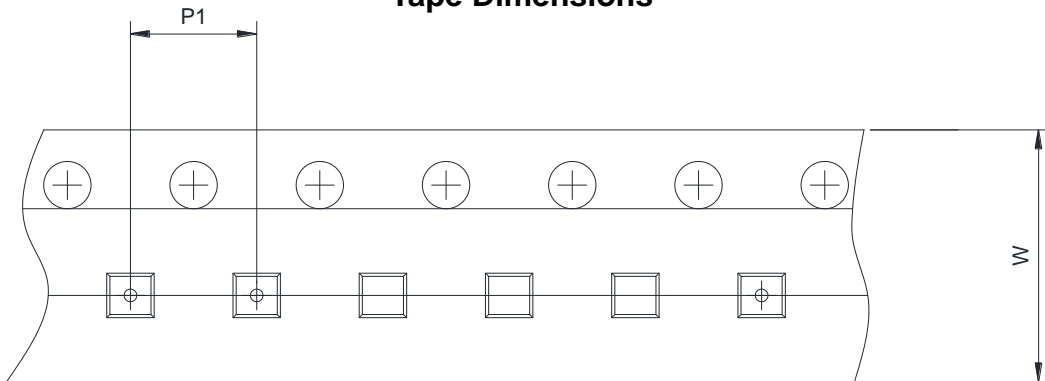
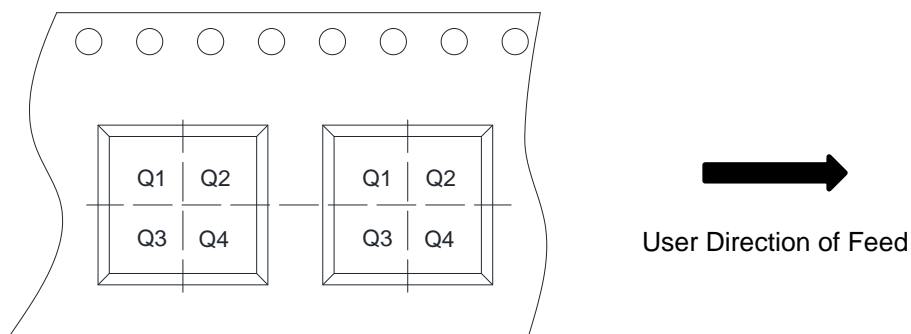


BOTTOM VIEW



SIDE VIEW

Symbol	Dimensions in Millimeters		
	Min.	Typ.	Max.
A	0.536	0.586	0.636
A1	0.185	0.210	0.235
A2	0.331	0.356	0.381
D	1.385	1.400	1.415
E	1.385	1.400	1.415
D1	0.750	0.800	0.850
E1	0.750	0.800	0.850
b	0.220	0.260	0.300
e	0.400 BSC		
SD	0.000 BSC		
SE	0.000 BSC		

TAPE AND REEL INFORMATION
Reel Dimensions

Tape Dimensions

Quadrant Assignments For PIN1 Orientation In Tape


RD	Reel Dimension	<input checked="" type="checkbox"/> 7inch	<input type="checkbox"/> 13inch		
W	Overall width of the carrier tape	<input checked="" type="checkbox"/> 8mm	<input type="checkbox"/> 12mm		
P1	Pitch between successive cavity centers	<input type="checkbox"/> 2mm	<input checked="" type="checkbox"/> 4mm	<input type="checkbox"/> 8mm	
Pin1	Pin1 Quadrant	<input checked="" type="checkbox"/> Q1	<input type="checkbox"/> Q2	<input type="checkbox"/> Q3	<input type="checkbox"/> Q4