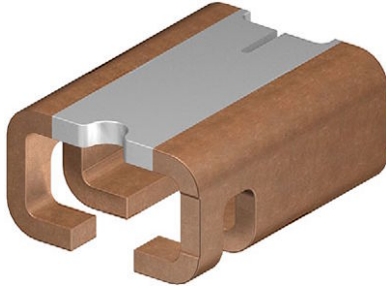


Power Metal Strip® Resistors, Low Value, High Power, Surface-Mount, 4-Terminal



FEATURES

- 4-terminal design allows for 1 % tolerance down to 0.0005 Ω
- High power-to-footprint print size ratio
- All welded Power Metal Strip® construction is ideal for all types of current sensing, voltage division and pulse applications
- Proprietary processing technique produces extremely low resistance values, down to 0.0005 Ω
- Sulfur resistance by construction that is unaffected by high sulfur environments
- Solid metal manganese-copper and manganese-copper-tin alloy resistive element with low TCR (< 20 ppm/°C)
- Very low inductance 0.5 nH to 5 nH
- Low thermal EMF (< 3 μV/°C)
- Maximum solder temperature up to 350 °C for 30 s
- AEC-Q200 qualified ⁽¹⁾
- PATENT(S): www.vishay.com/patents
- Material categorization: for definitions of compliance please see www.vishay.com/doc?99912

AUTOMOTIVE GRADE


RoHS
 COMPLIANT
 HALOGEN
FREE
GREEN
(5-2008)

LINKS TO ADDITIONAL RESOURCES



3D Models



Design Tools



Infographics

Notes

- * This datasheet provides information about parts that are RoHS-compliant and / or parts that are non-RoHS-compliant. For example, parts with lead (Pb) terminations are not RoHS-compliant. Please see the information / tables in this datasheet for details
- Follow link to Overview of Automotive Grade Products for more details: www.vishay.com/doc?49924
- ⁽¹⁾ Flame retardance test may not be applicable to some resistor technologies

STANDARD ELECTRICAL SPECIFICATIONS

| GLOBAL MODEL | SIZE | POWER RATING $P_{70\text{ }^\circ\text{C}}$ W | THERMAL RESISTANCE | TOLERANCE ± % | RESISTANCE VALUE RANGE ⁽¹⁾ Ω | WEIGHT (typical) g/1000 pieces |
|--------------|------|---|--------------------|------------------|--|-----------------------------------|
| WSK1216 | 1216 | 3.0 | 14.5 | 1.0 | 1m | 420 |
| | | 5.0 | 7.3 | 1.0 | 0.5m | 420 |

Notes

- The full power rating of Power Metal Strip resistors are dependent upon the ability of the circuit board to dissipate the heat energy created in the resistance element. It is recommended to follow common design practices for power semiconductors that ensure the junction temperature is maintained within thermal limits by using large pad surfaces, thermal vias, heavier copper weights, internal layers as well as other thermal spreading features. The thermal resistance values provided function in the same manner as junction to terminal temperature
- ⁽¹⁾ Other values may be available, contact factory

GLOBAL PART NUMBER INFORMATION

Global Part Numbering Example: WSK12161L000FEA (WSK1216, 0.001 Ω, ± 1 %)

 (visit www.vishay.net Vishay Dale parts numbering manual for all options)

| | | | | | | | | | | | | | | | | |
|---|---|---|---|---|---|---|---|---|---|---|---|---|---|---|--|--|
| W | S | K | 1 | 2 | 1 | 6 | 1 | L | 0 | 0 | 0 | F | E | A | | |
|---|---|---|---|---|---|---|---|---|---|---|---|---|---|---|--|--|

| |
|----------------------------|
| GLOBAL MODEL (7 digits) |
| WSK1216 |

| |
|--|
| RESISTANCE VALUE (5 digits) |
| L = mΩ 1L000 = 0.0010 Ω L5000 = 0.0005 Ω |

| |
|-----------------------------|
| TOLERANCE CODE (1 digit) |
| F = ± 1.0 % |

| |
|---|
| PACKAGING CODE ⁽¹⁾ (2 digits) |
| EA = lead (Pb)-free, tape / reel |

| |
|---|
| SPECIAL ⁽²⁾ (2 digits) |
| (dash number) (up to 2 digits) From 1 to 99 as applicable |

Notes

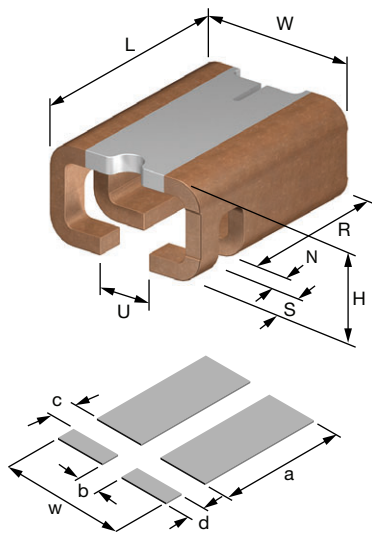
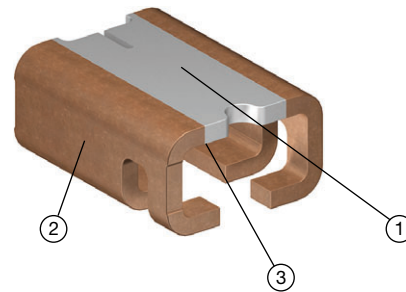
- ⁽¹⁾ Packaging code: EB (lead (Pb)-free) is a non-standard packaging code designating 1000 piece reels. The non-standard packaging code is identical to our standard EA (lead (Pb)-free), except that it has a package quantity of 1000 pieces
- ⁽²⁾ Follow link for customization capabilities: www.vishay.com/doc?48163

PATENT(S): www.vishay.com/patents
This Vishay product is protected by one or more United States and international patents.

| TECHNICAL SPECIFICATIONS | | |
|---|--------|---|
| PARAMETER | UNIT | WSK RESISTOR CHARACTERISTICS |
| Component temperature coefficient (including terminal) ⁽¹⁾ | ppm/°C | < 50 ppm over temperature of +20 °C to +60 °C, 1 mΩ < 150 ppm over temperature of +20 °C to +60 °C, 0.5 mΩ |
| Element TCR ⁽²⁾ | ppm/°C | < 20 |
| Operating temperature range | °C | -65 to +170 |
| Maximum working voltage ⁽³⁾ | V | $(P \times R)^{1/2}$ |

Notes

- (1) Component TCR - total TCR that includes the TCR effects of the resistor element and the copper terminal
- (2) Element TCR - only applies to the alloy used for the resistor element
- (3) Maximum working voltage - the WSL is not voltage sensitive, but is limited by power / energy dissipation and is also not ESD sensitive

DIMENSIONS in inches (millimeters)

CONSTRUCTION OUTLINE


- ① Resistive element: refer to table below for element material
- ② Terminal: solid copper
- ③ Terminal / element weld

| MODEL | DIMENSIONS in inches (millimeters) | | | | | | |
|---------|------------------------------------|-------------------------------|-------------------------------|-----------------|------------------------------|------------------------------|-------------------------------|
| | W | L | H | R (REF.) | S | U | N |
| WSK1216 | 0.122 - 0.014 (3.1 - 0.35) | 0.150 ± 0.012 (3.81 ± 0.3) | 0.075 - 0.014 (1.9 - 0.35) | 0.106 (2.70) | 0.020 ± 0.004 (0.5 ± 0.1) | 0.031 + 0.012 (0.8 + 0.3) | 0.024 + 0.006 (0.6 + 0.15) |

| MODEL | SOLDER PAD DIMENSIONS | | | | |
|---------|-----------------------|-----------------|-----------------|-----------------|-----------------|
| | a | b | c | d | w |
| WSK1216 | 0.116 (2.95) | 0.024 (0.61) | 0.020 (0.50) | 0.028 (0.70) | 0.142 (3.60) |

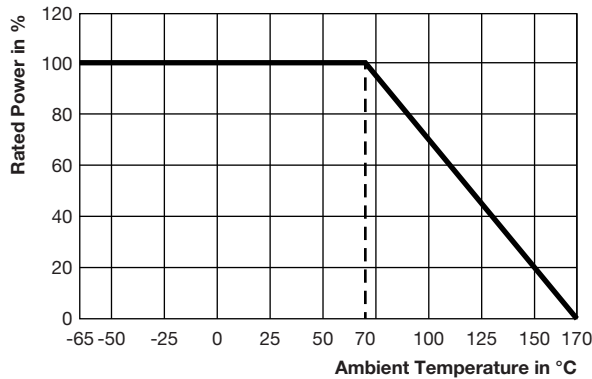
| MODEL | RESISTANCE VALUE (mΩ) | ELEMENT MATERIAL |
|---------|-----------------------|------------------|
| WSK1216 | 0.5 | MnCuSn |
| | 1.0 | MnCu |

Notes

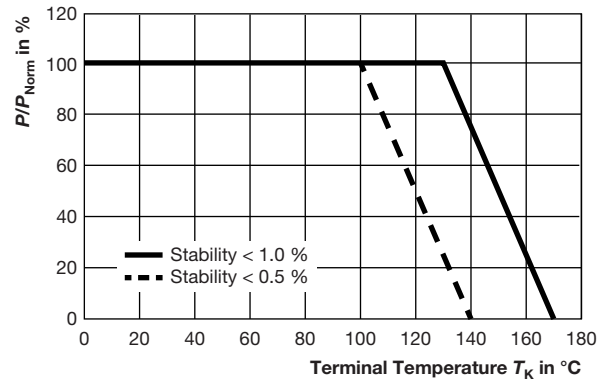
- 3D models available: www.vishay.com/doc?30334
- Surface mount solder profile recommendations: www.vishay.com/doc?31052



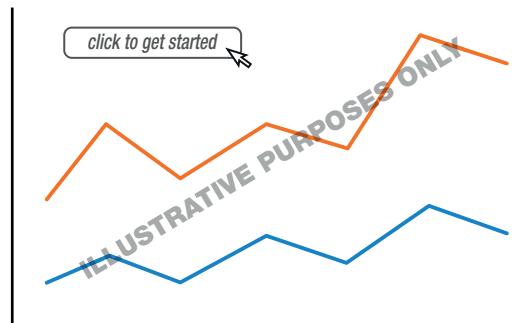
DERATING - AMBIENT TEMPERATURE



DERATING - TERMINAL TEMPERATURE



PULSE CAPABILITY



www.vishay.com/resistors/power-metal-strip-calculator

| PERFORMANCE | | |
|---------------------------|---|-------------|
| TEST | CONDITIONS OF TEST | TEST LIMITS |
| Thermal shock | -55 °C to +150 °C, 1000 cycles, 15 min at each extreme | ± 0.5 % |
| Short time overload | Refer to link for short time overload performance and pulse capability; www.vishay.com/resistors/power-metal-strip-calculator/ | ± 0.5 % |
| Low temperature operation | -65 °C for 24 h | ± 0.5 % |
| High temperature exposure | 2000 h at +170 °C | ± 0.5 % |
| Bias humidity | +85 °C, 85 % RH, 10 % bias, 1000 h | ± 0.5 % |
| Mechanical shock | 100 g's for 6 ms, 5 pulses | ± 0.5 % |
| Vibration | Frequency varied 10 Hz to 2000 Hz in 1 min, 3 directions, 12 h | ± 0.5 % |
| Load life | 2000 h at +70 °C, 1.5 h "ON", 0.5 h "OFF" | ± 1.0 % |
| Resistance to solder heat | 3 x at 250 °C ± 5 °C for 30 s ± 5 s | ± 0.5 % |
| Moisture resistance | MIL-STD-202, method 106, 0 % power, 7b not required | ± 0.5 % |

| PACKAGING (1) | | | | |
|---------------|--------------------------|--------------|-------------|------|
| MODEL | REEL | | | |
| | TAPE WIDTH | DIAMETER | PIECES/REEL | CODE |
| WSK1216 | 12 mm / embossed plastic | 330 mm / 13" | 2000 | EA |

Notes

- Embossed carrier tape per EIA-481
- (1) Additional packaging details at www.vishay.com/doc?20051



Disclaimer

ALL PRODUCT, PRODUCT SPECIFICATIONS AND DATA ARE SUBJECT TO CHANGE WITHOUT NOTICE TO IMPROVE RELIABILITY, FUNCTION OR DESIGN OR OTHERWISE.

Vishay Intertechnology, Inc., its affiliates, agents, and employees, and all persons acting on its or their behalf (collectively, "Vishay"), disclaim any and all liability for any errors, inaccuracies or incompleteness contained in any datasheet or in any other disclosure relating to any product.

Vishay makes no warranty, representation or guarantee regarding the suitability of the products for any particular purpose or the continuing production of any product. To the maximum extent permitted by applicable law, Vishay disclaims (i) any and all liability arising out of the application or use of any product, (ii) any and all liability, including without limitation special, consequential or incidental damages, and (iii) any and all implied warranties, including warranties of fitness for particular purpose, non-infringement and merchantability.

Statements regarding the suitability of products for certain types of applications are based on Vishay's knowledge of typical requirements that are often placed on Vishay products in generic applications. Such statements are not binding statements about the suitability of products for a particular application. It is the customer's responsibility to validate that a particular product with the properties described in the product specification is suitable for use in a particular application. Parameters provided in datasheets and / or specifications may vary in different applications and performance may vary over time. All operating parameters, including typical parameters, must be validated for each customer application by the customer's technical experts. Product specifications do not expand or otherwise modify Vishay's terms and conditions of purchase, including but not limited to the warranty expressed therein.

Except as expressly indicated in writing, Vishay products are not designed for use in medical, life-saving, or life-sustaining applications or for any other application in which the failure of the Vishay product could result in personal injury or death. Customers using or selling Vishay products not expressly indicated for use in such applications do so at their own risk. Please contact authorized Vishay personnel to obtain written terms and conditions regarding products designed for such applications.

No license, express or implied, by estoppel or otherwise, to any intellectual property rights is granted by this document or by any conduct of Vishay. Product names and markings noted herein may be trademarks of their respective owners.