
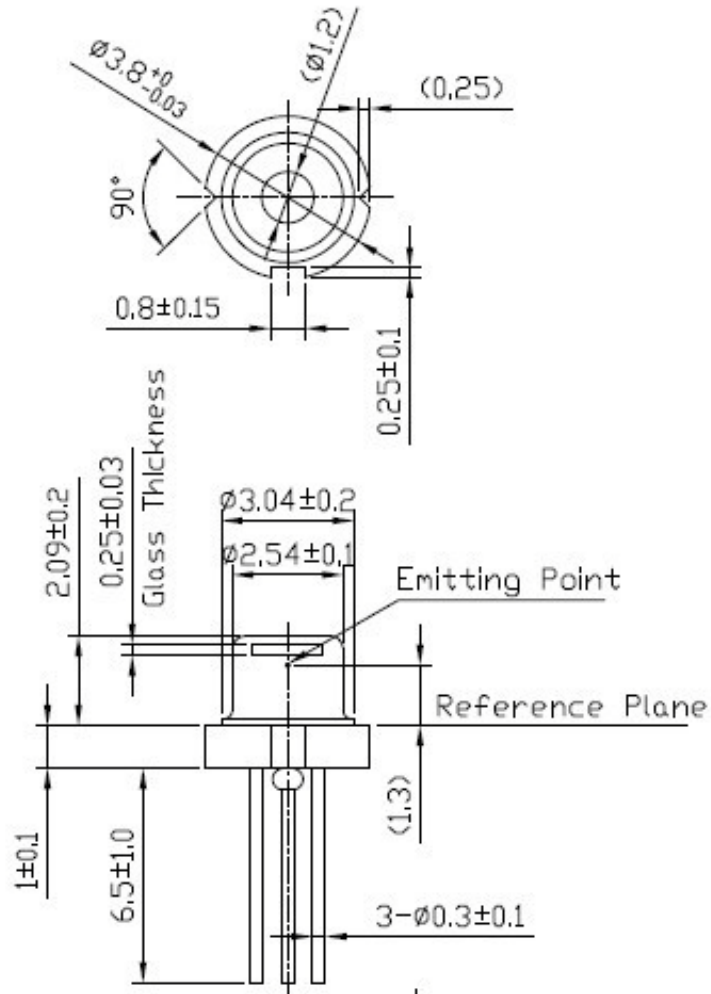


405nm 200mw SM Laser Diode| Single mode LD
 405nm SM LD| 200mw Power|3.8mm Package

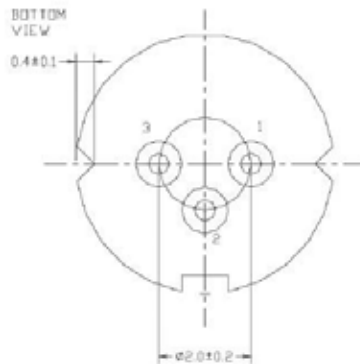
WSLD-405-200m-1

405nm Laser Diode		200mw		Wavespectrum Laser, Inc	
PARAMETER	SYMBOL	VALUE		UNIT	
Reverse Voltage	V_r	2.0		V	
Operating Temperature	T_{op}	0~+70		°C	
Storage Temperature	T_{stg}	-40 ~ +85		°C	
Lead soldering temperature (10 sec.)	T_{is}	260		°C	
Features: <ul style="list-style-type: none"> 405nm CW / Pulse Single mode beam 3.8mm package 					
Applications: <ul style="list-style-type: none"> Medical laser treatment Printing Others 					
Specifications		WSLD-405-200m-1			
		Min	Type	Max	
Center Wavelength@25°C		400nm	405nm	410nm	
Spectral Width (FWHM)		2.0nm			
Output Power (CW)		---	200mW	---	
Beam Type		Single Mode			
Beam Divergence (FWHM)		15°±x 7°//	20°±x 9°//	24°±x 12°//	
Recommended Operating Temperature		25 °C			
Slope Efficiency		1.0mW/mA	1.3mW/mA	1.9mW/mA	
Threshold Current (Typ.)		----	35mA	60mA	
Operating Current (Typ.)		----	180mA	200mA	
Operating Voltage		4.2V	4.6V	5.5V	
Package Style		3.8mm			
Output Power (Pulse Mode)		400mW			
		Pulse Mode Condition : Width 30ns Duty 50%			

Drawing



PIN Bottom View:



1	LD(+)
2	GND
3	LD(-)

**Electrically shorten LD module and store in non-extreme conditions.
Suggest using the constant current power supply.**

