
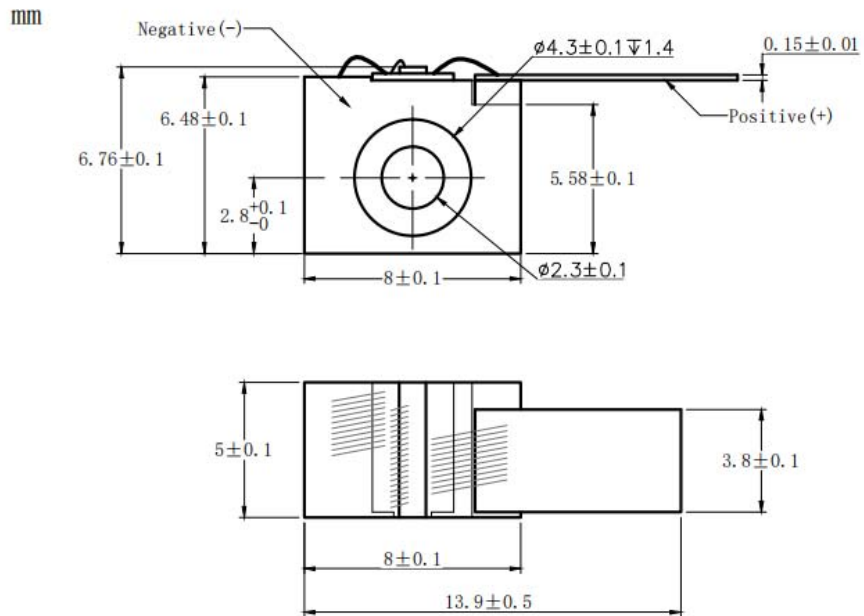


808nm~810nm 10W C-mount Laser Diode | FAC Optional | Square Beam Optional
 808nm Laser Diode| High Power LD| 10W Output Power| C-mount Package
 WSLD-808-010-C

PARAMETER	SYMBOL	VALUE	UNIT
Reverse Voltage	V_r	2.0	V
Operating Temperature	T_{op}	+10~+30	°C
Storage Temperature	T_{stg}	-20~ +80	°C
Lead soldering temperature (10 sec.)	T_{is}	260	°C
Features: <ul style="list-style-type: none"> ● 808nm ● Multimode ● C-mount Package ● FAC Lens Optional 			
Applications: <ul style="list-style-type: none"> ● Medical Laser Treatment ● Laser Indicator ● Others 			
Specifications	WSLD-808-010-C		
	Min	Type	Max
Center Wavelength@25°C	808nm ± 10nm		
Spectral Width (FWHM)		3.0nm	
Output Power	----	10W	----
Emitter Area	----	200x1µm	-----
Beam Divergence (FWHM)	----	35°± x 8°//	----
Temperature Coefficient of Wavelength	----	0.3nm / °C	----
Slope Efficiency	----	1.0W/A	----
Threshold Current (Typ.)	----	1.2A	----
Operating Current (Typ.)	----	11.0A	----
Operating Voltage	----	2.2V	----
Package Style	C-mount-03		
Recommended Operating Temperature	25°C		

C-mount-03 Package View:



**Electrically shorten LD module and store in non-extreme conditions.
Suggest using the constant current power supply.**

