
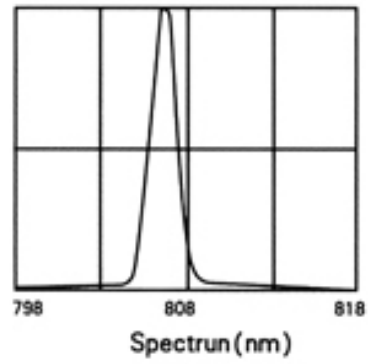
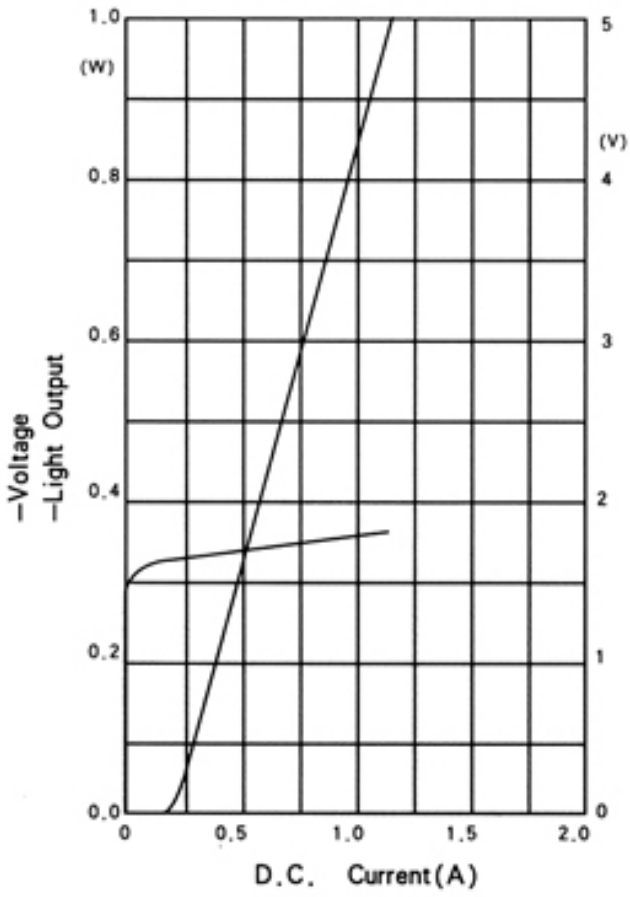


808nm 300mw multimode laser diodes with TO18 5.6mm package with Photodiodes
WSLD-808-300m-1 Wavespectrum laser inc.

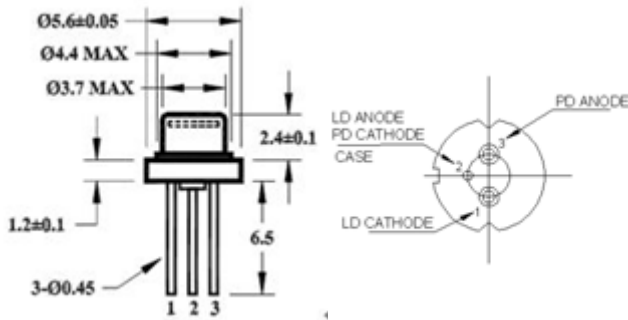
808nm Laser Diode		300mw		Wavespectrum Laser, Inc	
PARAMETER	SYMBOL	VALUE	UNIT		
Reverse Voltage	V_r	2.0	V		
Operating Temperature	T_{op}	-10~+40	°C		
Storage Temperature	T_{stg}	-40 ~ +80	°C		
Lead soldering temperature (10 sec.)	T_{is}	260	°C		
Features: <ul style="list-style-type: none"> ● 808nm ● CW ● TO18 package ● Built-in PD Optional 					
Applications: <ul style="list-style-type: none"> ● Medical laser treatment ● Laser indicator ● Laser detector 					
Specifications		WSLD-808-300m-1			
		Min	Type	Max	
Center Wavelength@25°C		805nm	808nm	811nm	
Spectral Width (FWHM)			2.0nm		
Output Power			300mw		
Emitter			Single		
Beam Divergence (FWHM)		$36^\circ \pm x 6^\circ //$	$38^\circ \pm x 8^\circ //$	$40^\circ \pm x 10^\circ //$	
Monitor Current			---		
Slope Efficiency		0.7mW/mA	0.95mW/mA	1.1mW/mA	
Threshold Current (Typ.)			65mA	100mA	
Operating Current (Typ.)			350mA	400mA	
Operating Voltage			1.8V	2.2V	
Package Style		TO18			



Spectrum

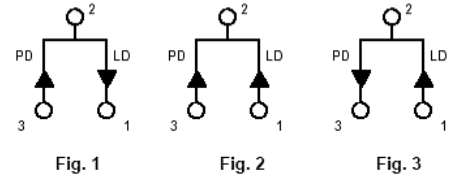


TO18(5.6mm) Package View

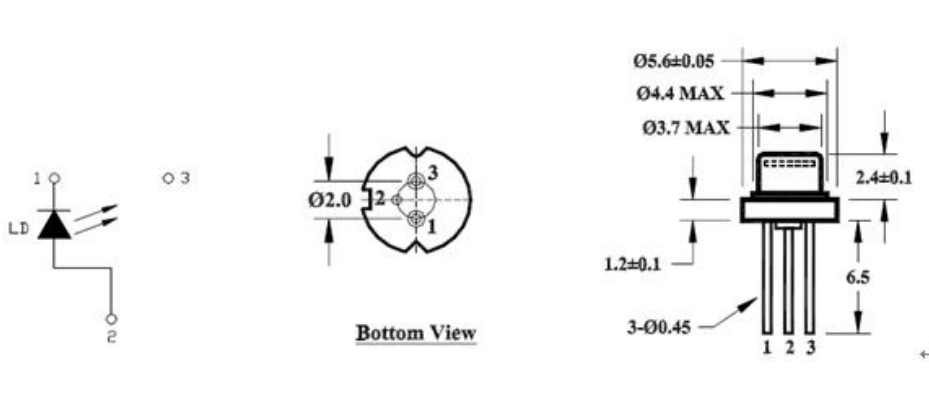


Pin Configuration

A	LD cathode, PD anode (Fig. 1)
B	LD, PD anode (Fig. 2)
C	LD anode, PD cathode (Fig. 3)



TO18(5.6mm) without PD Package View



Electrically shorten LD module and store in non-extreme conditions.

Suggest using the constant current power supply.

