

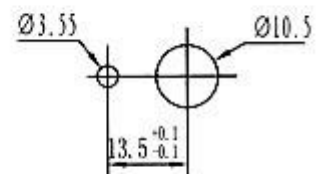
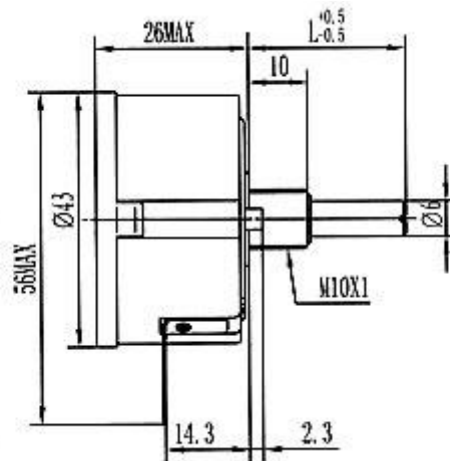
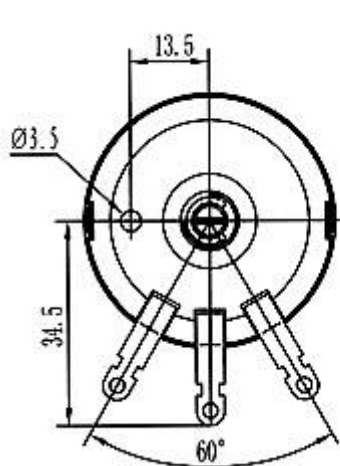
# Wire Wound Pot

## Model: WX112



### Specifications:

- Turn: single turn
- Watt: 5W
- Type: wire wound potentiometer
- Model: WX112 (WX050)
- Power Rating: 5W (55) 0W (100)
- Resistance range: 27ohm~47Kohm
- Tolerance of resistance: +-5%, +-10%
- Total mechanical travel: 300°+-10°
- Operating force: 3.5~100mN.m
- Rated voltage: 320V



L: 16, 20, 25