

WXD3540 Precision Wirewound Potentiometer



Features

- Multiturn / Wirewound / Industrial
- Metal shaft and bushings
- Bushing mount
- Available with shaft (6mm dia.)

Electrical Characteristics

Standard Resistance Range
100 to 100K ohms
(see standard resistance table)
Resistance Tolerance
±5% std.
Independent Linearity
±0.25%
Effective Electrical Angle
3600° -10° min.
Absolute Minimum Resistance
0.2% or 2 ohms max.
(whichever is greater)
Noise
100 ohms ENR max.
Insulation Resistance
500 vdc
1,000 Megohms min.
Dielectric Withstanding Voltage
101.3 kPa 900 vac

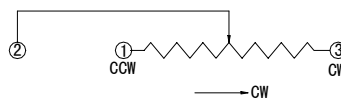
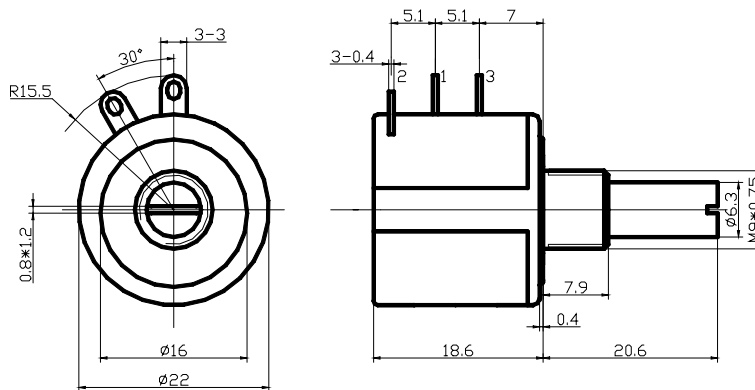
Environmental Characteristics

Power Rating (500 volts max.)
2 watt (70°C) , 0 watt (125°C)
Temperature Range
-55°C to +125°C
Temperature Coefficient
±100ppm/°C
Vibration
98 m/s²
(1% Δ TR; 1% Δ VR)
Shock
490 m/s²
(1% Δ TR; 1% Δ VR)
Load Life
1,000 hours 2 watt @ 70°C
(2% Δ TR)
Rotational Life (no load)
1,000,000 shaft revolutions
Total Resistance shift
±5% Max

Physical Characteristics

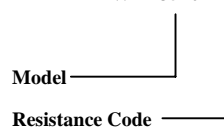
Torque
36 mN • m max.
Stop Strength
300 mN • m min.
Mechanical angle
3600° -10° min.
Standard Packaging
10 or 25 pcs. per box

WXD3540 Dimensions



How to order

WXD3540—101



Standard Resistance Table

| Resistance (Ohms) | Resistance Code |
|-------------------|-----------------|
| 100 | 101 |
| 200 | 201 |
| 500 | 501 |
| 1,000 | 102 |
| 2,000 | 202 |
| 5,000 | 502 |
| 10,000 | 103 |
| 20,000 | 203 |
| 50,000 | 503 |
| 100,000 | 104 |

Special resistance available.

Detail Specification: Q/RYS31-2004