

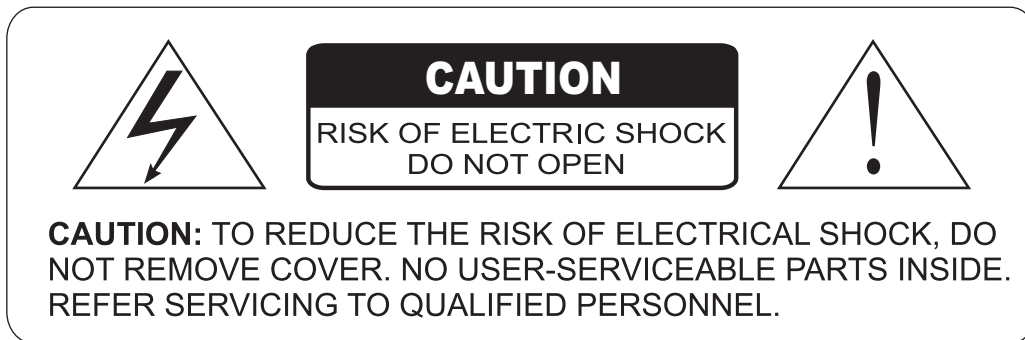


INSTRUCTIONS

XA8800MNu

POWER AMPLIFIER

WARNING: TO REDUCE THE RISK OF FIRE OR ELECTRIC SHOCK, DO NOT EXPOSE THIS APPLIANCE TO RAIN OR MOISTURE.



Dangerous Voltage

The lightning flash with arrowhead symbol, within an equilateral triangle, is intended to alert the user to presence of uninsulated “Dangerous voltage” within the product’s enclosure that may be of sufficient magnitude to constitute a risk of electric shock to persons.



Important Instructions

The exclamation point within an equilateral triangle is intended to alert the user to presence of important operating and maintenance (servicing) instructions in the literature accompanying the appliance.



Marking by the “CE” symbol (shown left) indicates compliance of this device with the EMS (Electromagnetic Compatibility and LVD (low voltage directive) standards of the European Community.

Chapter 1

Important Safety Instruction

1.1 Before Use

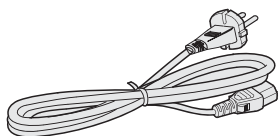
Please read all instructions and precautions carefully and completely before operating your power amplifier.

1. Read these instructions.
2. Keep these instructions.
3. Heed all warnings.
4. Follow all instructions.
5. Do not use this apparatus near water.
6. Clean only with dry cloth.
7. Always keep this unit out of the reach of children.
8. Do not install near any heat sources such as radiators, heat registers, stoves, or other apparatus (including amplifiers) that produce heat.
9. Protect the power cord from being walked on or pinched particularly at plugs, convenience receptacles, and the point where they exit from the apparatus.
10. Unplug this apparatus during lightning storms or when unused for a long time.
11. Always disconnect your entire system from the AC mains before connecting or disconnecting any cable, or when cleaning any component.
12. This product must be terminated with a three conductor AC mains power cord which includes an earth ground connection, to prevent shock hazard, all three connections must always be used.
13. AC extension cords are not recommended for use with this product.
14. Never use flammable or combustible chemicals for cleaning audio components.
15. Never operate this product with any cover removed.
16. Never pour or spill liquids directly onto this unit.
17. Never block air flow through ventilation slots or heat sinks.
18. Never by pass any fuse.
19. Never replace any fuse with a value or type other than those specified.
20. Never attempt to repair this product, if a problem occurs, contact your dealer.
21. Never expose this product to extremely high or low temperatures.
22. Never operate this product in an explosive atmosphere.

1.2 Check Accessory

Unpack your XA8800MNU power amplifier and keep all packing materials for future transport or service, locate and remove all accessory items from the accessory box within the controller shipping carton.

Accessories Included:

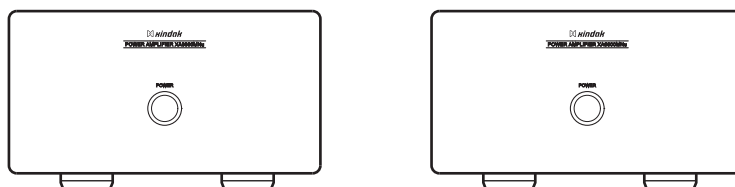


1. AC power cord × 1



2. User manual (This manual)

2.1 Product Features



XA8800MNu is a mono power amplifier, with full symmetric current negative feedback structure. This model offers the user quality sound reproduction and elegant styling also features excellent look.

The amplifying circuitry design follows the well appraised current negative feedback structure, featuring the full symmetric and full complementary circuit. The most outstanding advantages of this circuitry are powerful drive, low distortion, rich dynamics, excellent controlling ability, reliable work and good sound. The whole amplifying circuitry can be divided into three stages: the first stage adopts quality Motorola MJE350/MJE340 geminate transistors, the second stage adopts Toshiba 2SC517/2SA1930 geminate transistors and the output stage uses three pair of Sanken 2SC3264/2SA1295 high current geminate transistors. Therefore, this amplifier is ensured of power driving current.

The materials are very select, especially some audio-use-only and world famous capacitances are choicely used in the audio loop. It uses imported relay to switch the coaxial channel and balanced channel. The whole power supply system is consisted of the 350W high quality annular transformer as the core, the 50A high speed bridge rectifier and 60,000 F Rubycon capacitance. The power supply for voltage amplifying is supplied by the filtered and rectified separate windings of the transformer, which have high speed, low noisy, low impedance and strong shielding ability. Besides, the separate design of the two windings can rapidly reduce the intermodulation disturbance and thus increase the purity of the sound.

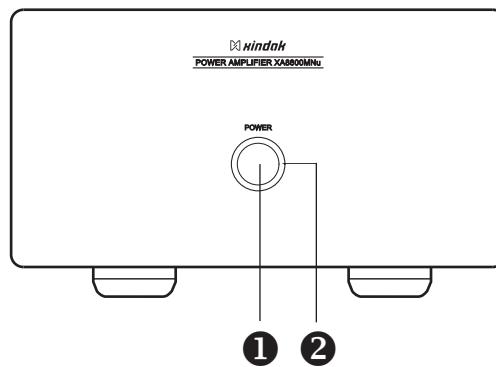
Additionally, this unit has perfect self-protection function. The core of the protect circuitry takes charge of the protect functions against output over current, over voltage and on/off surge with an indicator which will glitter in case of protect. IC was used as the controlling core, therefore, the general sensitivity and reliability is rapidly increased.

Sound features: The excelsior circuitry and select materials endow this unit with mellow sound, excellent bounce in low and powerful drive. Besides, it is also dynamic, with extended soundstage. Sound of this unit is transparent, noble, elegant and vivid, especially full of rich changes.

Chapter 2

Introduction

2.2 Front Panel



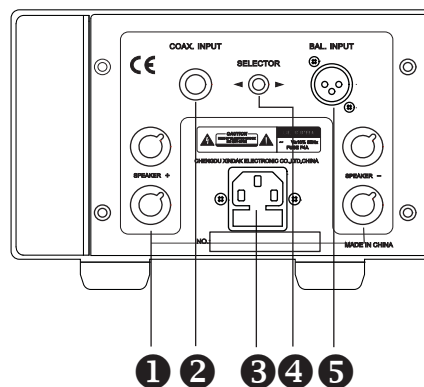
1 The power supply on-off button

Press this button, the current will be put through; press it again, the current will be cut off.

2 Power Indicator

After getting through, this indicator will wink for 8 seconds and then light.

2.3 Rear Panel



1 The speaker binding post

Connect it to the speaker by the speaker cable.

2 Signal input jack

Connect the input signal by signal cable.

3 Power supply input jack and safety cutout jack

Connect it to the power supply by attached power cord.

4 Signal Input Switch

Switch between the coaxial and balance input channel

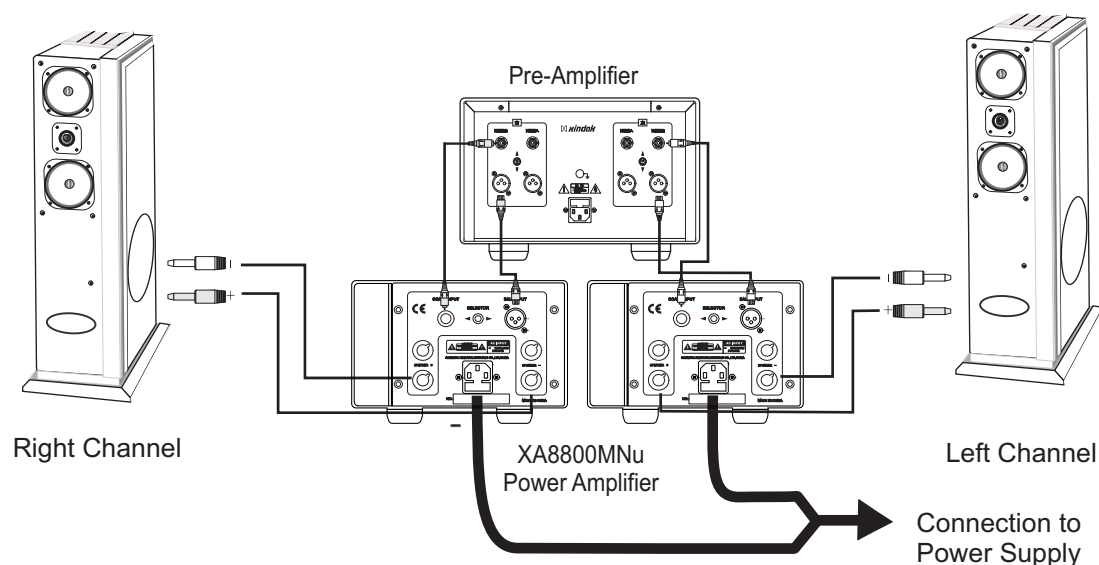
5 Balance signal input jack

Connect the input signal by the balanced signal cable.

Chapter 3

Operation Instruction

3.1 Connection



1. Before using this machine, you have to connect it to sound sources (such as CD player, DVD player, SACD player) by signal cable. Also you need to check if the signal connection of the left and right channel is correct and reliable.
2. Before connecting the machine to the right and left channel speaker by speaker cables, it's strongly suggested that you consult the dealer if your speaker cable is available for this machine and make sure of the right channel and polarity.
3. Please be very careful when connecting the power cable. Make sure the power supply has been cut off before connecting to the accessory power cable. If you do have to use other power cables, please check if the specifications are up to the requirements of this machine. We claim that we are not reliable for the damages caused by the use of other power cables.



Please make sure all the power supplies have been cut off before connecting any cable to this machine. If you have no ability to install this machine, please ask those who are guided or are capable to accomplish the installation or connection.

Chapter 3

Operation Instruction

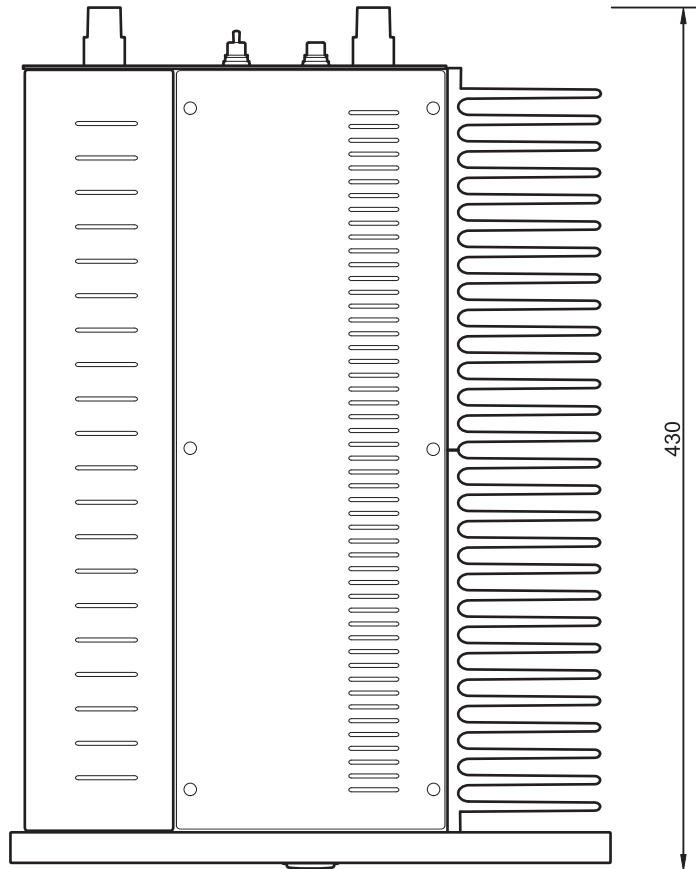
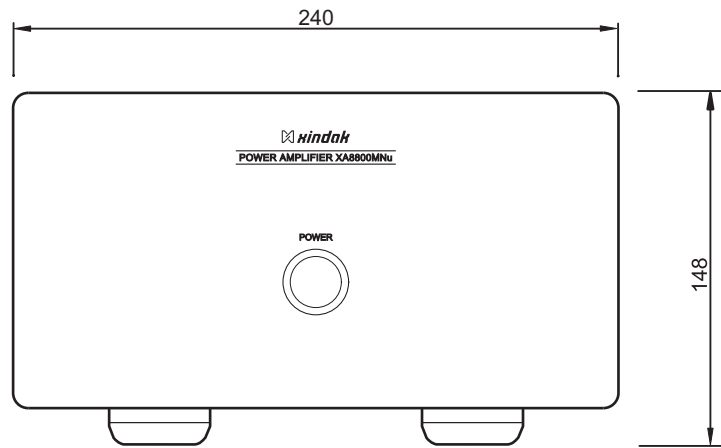
3.2 General Problems and Trouble-shootings

Problem	Possible cause	Trouble-shootings
the machine is not electrified	Power connector not plug well	Plug the power connector again.
	Fuse has fused	Change the fuse coincide with the prompt requirement.
Speaker no sound	Sound source turned off	Turn on the sound source.
	Signal cable is broken	Check and change signal cable.
	Speaker cable is broken	Check and change speaker cable.
	Signal selector switch wrong	Tune input selection button according to sound source.
Noise too big	Root noise of sound source too big	Change a higher SNR sound.
	Signal shielding effect badly	Change eligible signal cable
Left and right channel confused	Signal source input phase opposed	Connect according to the indication of left and right channel.
	Speaker wire to channels has exchanged or positive negative reversed	

Notice: if you have been confronted any problems when using this product or have any suggestion to tell us, please visit the website of xindak: <http://www.xindak.com>, you may access our instant technique support here.

4.1 Dimensions

Unit: mm



4.2 Specifications

■ Power output	160W/ch (8ohm Load)
■ Rated power consumption	240W/ch
■ Frequency response	10Hz - 100KHz
■ Signal-to-noise ratio	100dB Typical(A Weight)
■ Distortion	<0.03%
■ Dimensions (W×D×H)	240mm×148mm×430mm
■ Input sensitivity	1.7V
■ Net weight	13Kg/ch
■ Supply voltage	Specified on rear panel decal

* All specifications, dimensions and weights are subject to change without notice.



No.126, Section 2, East 1 Round Chengdu, Sichuan, China P.C. 610051

You can find your nearest authorized distributor and more product information on our website:
www.xindak.com



is a registered trademark of Chengdu Xindak Electronic Co.,LTD, China

© 2006 Chengdu Xindak Electronic Co.,LTD

XD3.834.065 SMS



Printed in China