

CCD Black-and-White Video Camera Module

Technical Manual



XC-EU50/EU50CE

Table of Contents

Overview

Main Features	3
System Components	4
Connection Diagram	4
Location of Parts and Operation	5
Front/Top/Bottom	5
Rear Panel	6

www.DataSheet4U.com

Mode Setting

Specifications of the Input/Output	8
Input Phase Specifications of the External HD/VD	8
Specifications of the WEN Output	8
Specifications of the Trigger Pulse	8
Normal Shutter	9
Setting of the Normal Shutter	9
External Trigger Shutter	9
Setting of the External Trigger Shutter	9
Restart/Reset	11
To set Restart/Reset mode	11
Timing Charts	13
When set to Mode 1	13
When set to Mode 2	19

Appendix

Specifications	21
Dimensions	22
XC-EU50/EU50CE	22
Spectral Sensitivity Characteristics (Typical Value)	22
Recommended light source	22
CCD Output Waveform Timing Chart	23
XC-EU50	23
XC-EU50CE	25

Overview

The XC-EU50/EU50CE is a monochrome video camera module with a 1/2 type CCD for industrial use. With its sensitivity around the near ultraviolet range (around 360 nm), utilized the feature of the shorter wavelength range characteristics and very detailed data can be detected.

Small scratches, dust or blemishes hardly visible to the naked eye can be captured as a clear image by combining the camera with a light source that has a wavelength of about 360 nm.

This model inherited compact size, rear panel mode switches from the XC-E series and is ideal for use in industrial applications.

Main Features

Various mode settings

Rear panel switches allow the following mode settings.

- Gain: Auto/Manual
- γ compensation
- Synchronized input/output
- Potential accumulation: FRAME/FIELD
- 75 Ω termination
- Shutter: Normal/Trigger shutter

External synchronization

The camera module automatically determines whether to operate in interlace or non-interlace mode from the HD (horizontal drive) and VD (vertical drive) signals input for external synchronization.

Internal sync signal output

You can output the HD and VD signals from the 12-pin connector by changing the setting of the rear panel switch.

External trigger shutter function (EIA: 1/4 to 1/10,000 seconds, CCIR: 1/4 to 1/8,000 seconds)

You can obtain a freeze picture by inputting an external trigger. This function is useful for shooting a fast-moving object clearly.

Restart/Reset function

Inputting external HD and VD signals (2 VD or more) continuously can catch one image at an arbitrary point in time and control the stored CCD.

This function is used for long exposures and with strobe for frame image output.

Body fixing

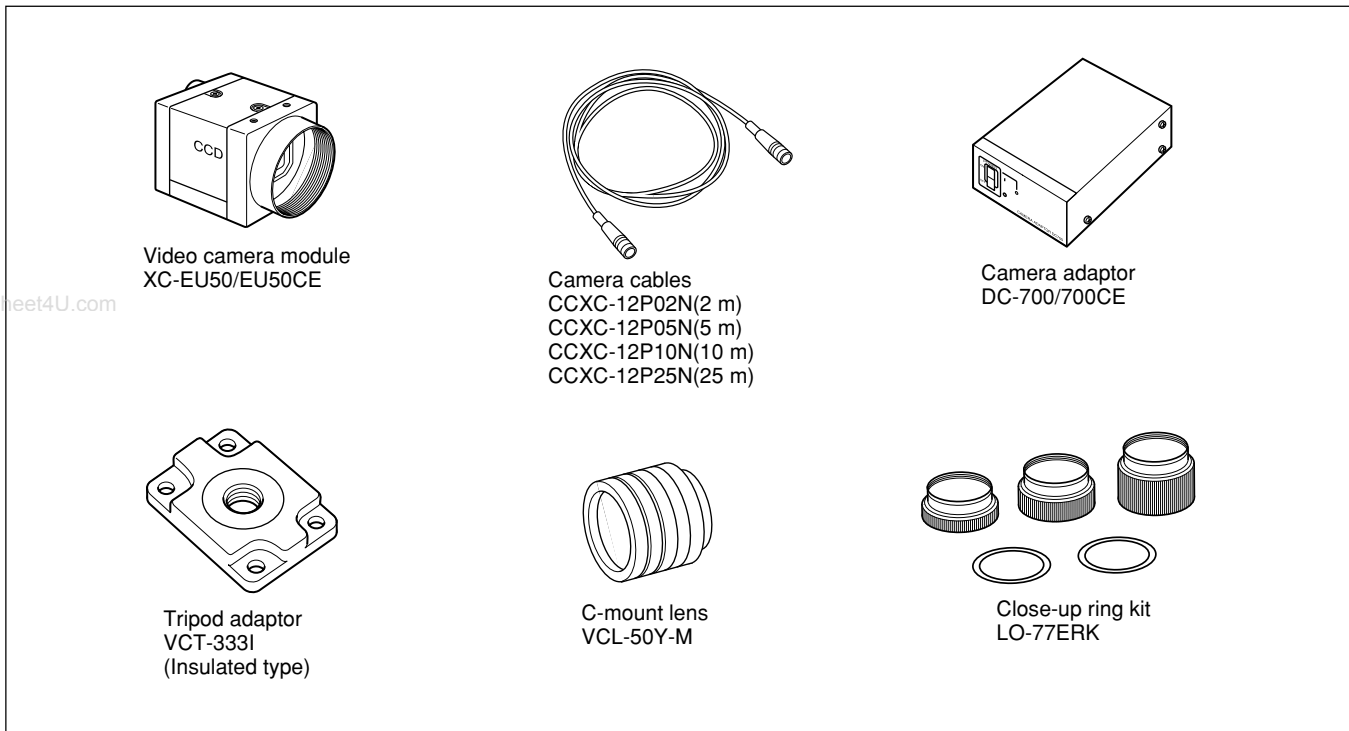
Mounting screw holes are provided in the reference plane on the lower surface of the body, allowing mounting with the absolute minimum deviation of the optical axis.

The connector complies with the new EIAJ 12-pin pin assignment

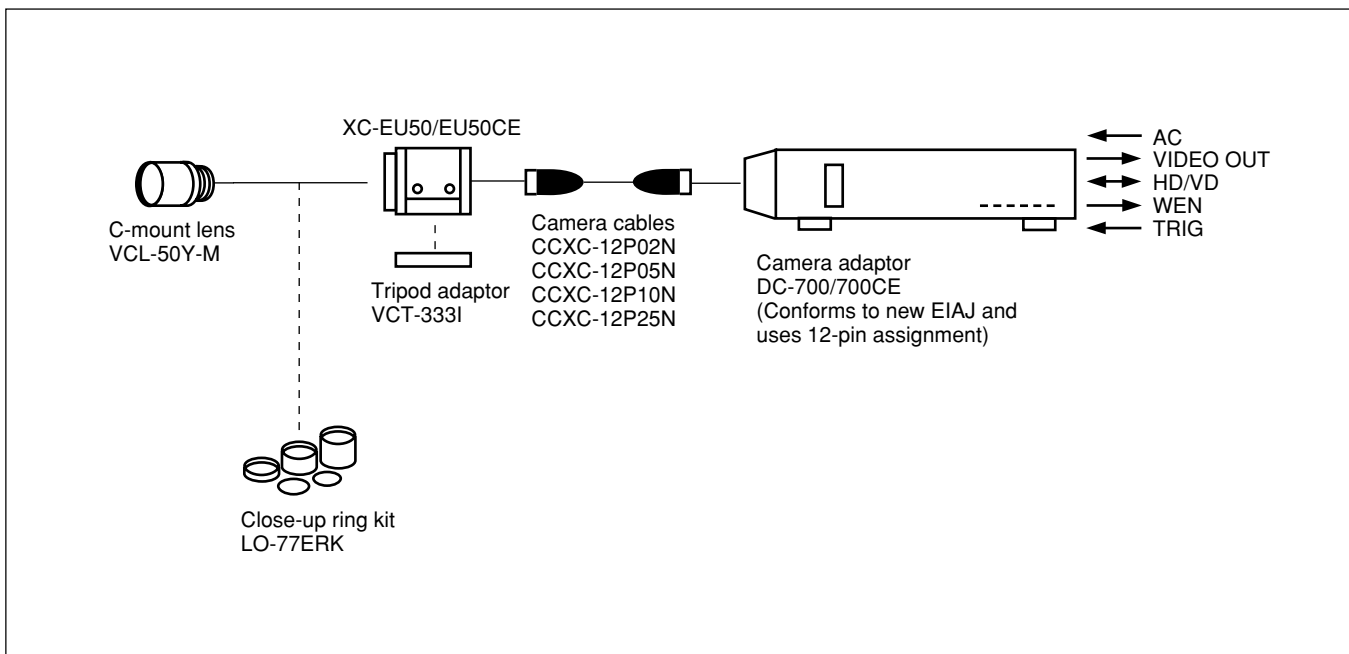
The new pin arrangement allows the connector to accept a trigger pulse and a WEN signal.

System Components

The XC-EU50/EU50CE Video Camera Module system comprises the following components.

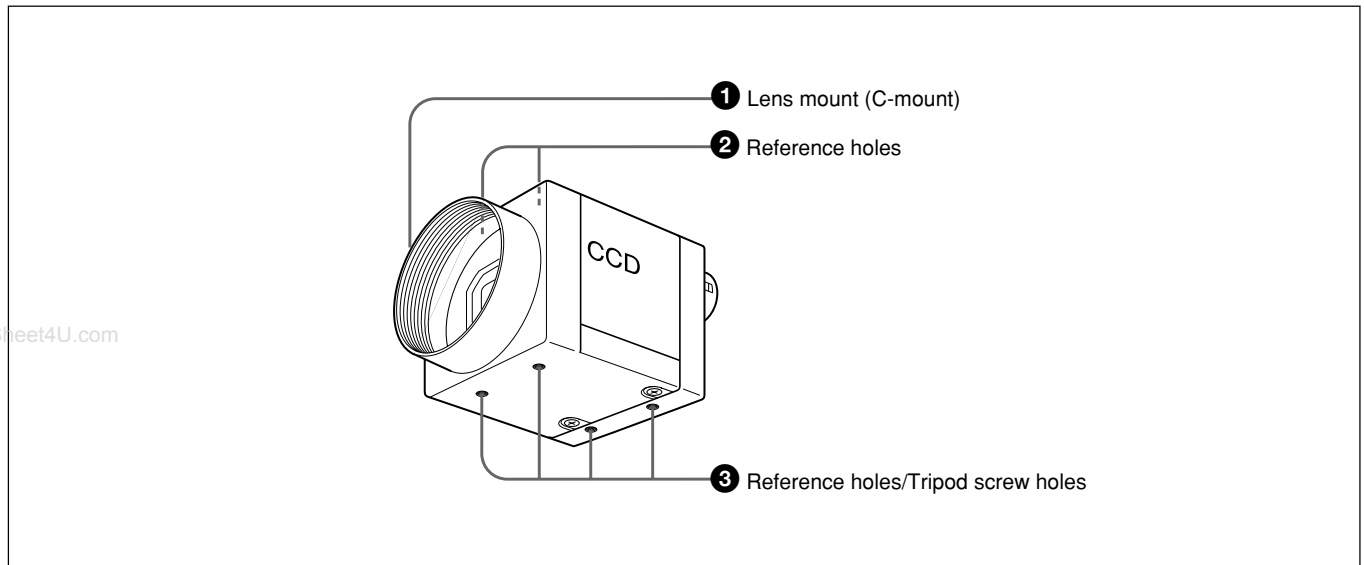


Connection Diagram



Location of Parts and Operation

Front/Top/Bottom



1 Lens mount (C-mount)

Attach the VCL-50Y-M C-mount lens or other optical equipment.

Note

The lens must not project more than 7 mm (9/32 inch) from the lens mount.

2 Reference holes (Top)

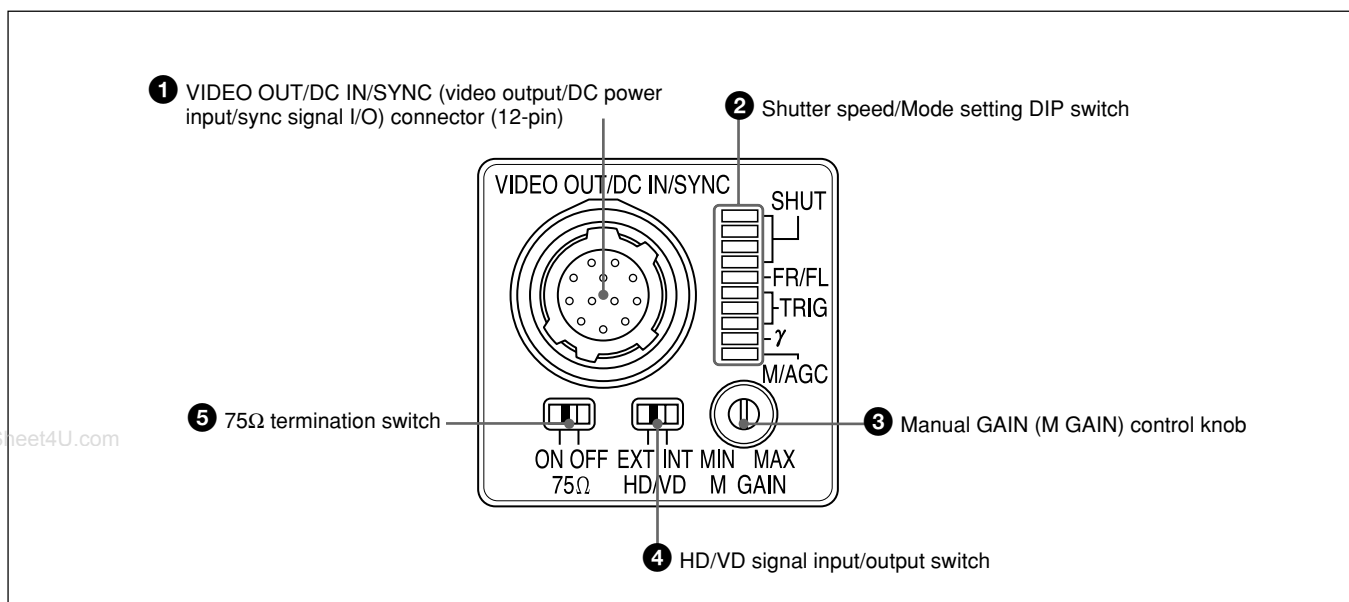
These precision screw holes are for locking the camera module. Locking the camera module into these holes secures the optical axis alignment.

3 Reference holes/Tripod screw holes (bottom)

These precision screw holes are for locking the camera module. Locking the camera module using these holes secures the optical axis alignment.

You can install the camera on a tripod. To install on a tripod, you will need to install the VCT-333I tripod adaptor using the reference holes on the bottom of the camera.

Rear Panel



Note

When you do switch settings, make sure the unit is off.

1 VIDEO OUT/DC IN/SYNC (video output/DC power input/sync signal I/O) connector (12-pin)

Connect a CCXC-12P05N camera cable to this connector for the +12V DC power supply and the video signal output from the camera module. When a sync signal generator is connected to this connector, the camera module is synchronized with the external sync signals (HD/VD signals).

2 Shutter speed/Mode setting DIP switch

Shutter speed (bits 1–4):

Set an appropriate shutter speed. (Factory setting: OFF)

Potential accumulation mode (bit 5):

(Factory setting: FRAME)

Restart reset/External trigger shutter mode switch (bits 6–8):

(Factory setting: Normal)

γ compensation ON/OFF switch (bit 9):

Turn on this switch to enable the γ compensation. (Factory setting: OFF)

GAIN switch (bit 0):

This switch selects MGC (manual adjustment) or AGC (automatic adjustment). (Factory setting: MGC)

3 Manual GAIN (M GAIN) control knob

If you have selected MGC with the GAIN switch (DIP switch 2), this knob adjusts the gain. (Factory setting: twelve o'clock position)

Note

If you have selected FRAME using the Potential accumulation mode (DIP switch 2), set this knob to MAX. (This is due to requirement CCD.)

4 HD/VD signal input/output switch

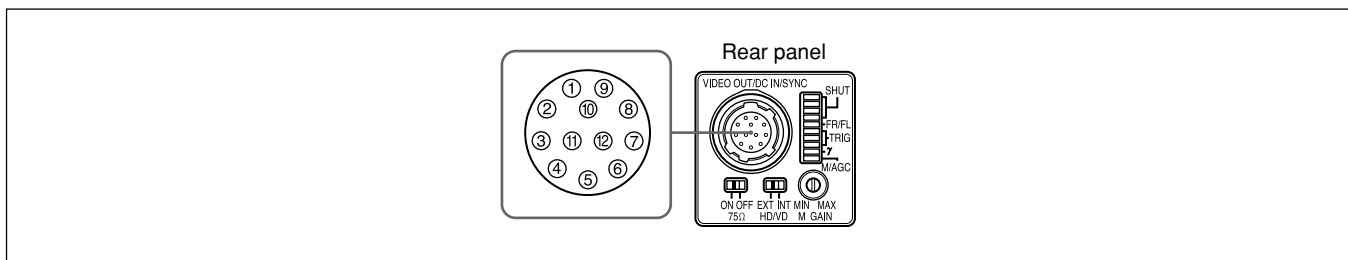
Set the switch to INT to output HD/VD signals from the camera module.

Set the switch to EXT to input HD/VD signals from an external unit. (Factory setting: EXT)

5 75Ω termination switch

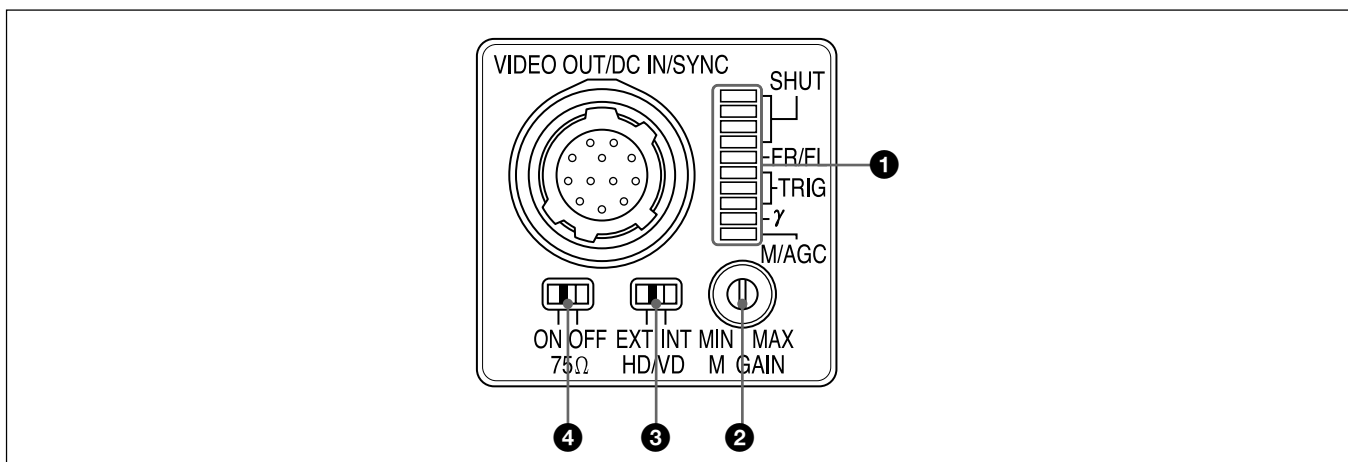
Turn this to OFF when not terminated. (Factory setting: ON)

VIDEO OUT/DC IN/SYNC connector pin assignment



Pin No.	Camera sync output	External Sync (HD/VD)	Restart/Reset	External trigger shutter
1	Ground	Ground	Ground	Ground
2	+12 V DC	+12 V DC	+12 V DC	+12 V DC
3	Video output (Ground)	Video output (Ground)	Video output (Ground)	Video output (Ground)
4	Video output (Signal)	Video output (Signal)	Video output (Signal)	Video output (Signal)
5	HD output (Ground)	HD input (Ground)	HD input (Ground)	HD input (Ground)
6	HD output (Signal)	HD input (Signal)	HD input (Signal)	HD input (Signal)
7	VD output (Signal)	VD input (Signal)	Reset (Signal)	VD input (Signal)
8	—	—	—	—
9	—	—	—	—
10	—	—	—	WEN output (Signal)
11	—	—	—	Trigger pulse input (Signal)
12	VD output (Ground)	VD input (Ground)	Reset (Ground)	VD input (Ground)

Factory setting mode of rear panel



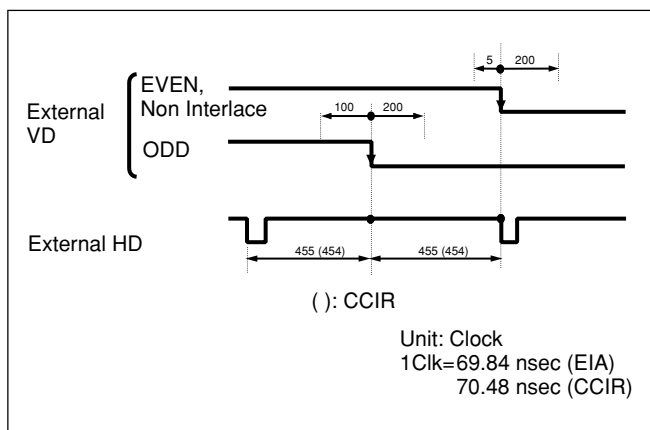
Number	Switch name	Factory-setting mode
①	Shutter speed (bits 1–4)	OFF
	Potential accumulation mode (bit 5)	FRAME
	Restart reset/External trigger shutter mode switch (bits 6–8)	Normal
	γ compensation ON/OFF switch (bit 9)	OFF
	GAIN switch (bit 0)	MGC
②	Manual GAIN (M GAIN) control knob	twelve o'clock position*
③	HD/VD signal input/output switch	EXT
④	75 Ω termination switch	ON

* When the GAIN switch is set to "MGC" (Manual), you can change the gain level in a range from 0 to 18 dB.

Mode Setting

Specifications of the Input/Output

Input Phase Specifications of the External HD/VD



Make sure that the external HD/VD phases against the standard central phase are as shown in the figure above. Invalid signal input may cause an error in the internal reset.

When you restart/reset the camera or operate the camera by inputting an external trigger shutter pulse, the Vsync signal for the image is output 1 H later from the external VD.

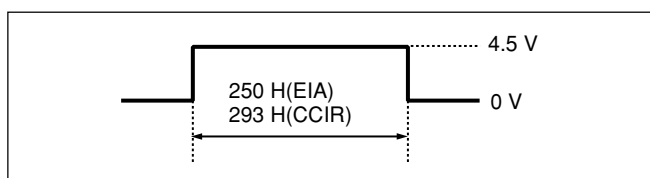
Normal:

HD/VD continuous (EIA/CCIR frequencies: Maintained. Timing: See the above figure.)

Restart/Reset and /External trigger shutter

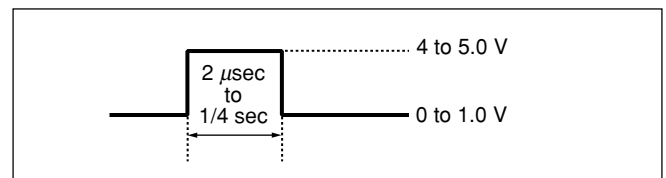
HD continuous/VD (Reset): Any timing if the phase with HD is within the above range.

Specifications of the WEN Output



The amplitude level is the typical value when terminated with 10 kΩ.

Specifications of the Trigger Pulse



- Input impedance; 10 kΩ or more.
- The voltage and pulse width used are measured at pin 11 of a 12-pin multi-connector on the rear panel.
- If you set the trigger pulse with the DIP switches, use the 100 μs to 1/4 sec pulse width.

Setting the external shutter speed with the trigger pulse width

Set all DIP switches (1 to 4 on the rear panel) to 0. You can obtain an arbitrary shutter speed by setting the trigger pulse width to the range of 2 μsec to 250 msec.

Mode 1 (Non-reset mode)



Mode 2 (Reset mode)



Exposure time = Trigger pulse width + 97 μsec (EIA)
Trigger pulse width + 120 μsec (CCIR)

Notes

- The DIP switch 5 position is optional. (The field setting is recommended.) The field setting can obtain a sensitivity that is twice that of the frame setting.
- If you input a new trigger pulse before the video signal output for the previous trigger pulse is output completely, an incorrect video signal will be output.

Normal Shutter

This mode provides continuous video output with the electronic shutter selected by switches to capture a high-speed moving object clearly.

Setting of the Normal Shutter

Using the DIP switches on the rear panel

Shutter OFF	1/125	1/250	1/500	1/1000
1 <input type="checkbox"/>	1 <input type="checkbox"/>	1 <input type="checkbox"/>	1 <input type="checkbox"/>	1 <input type="checkbox"/>
2 <input type="checkbox"/>	2 <input type="checkbox"/>	2 <input type="checkbox"/>	2 <input type="checkbox"/>	2 <input type="checkbox"/>
3 <input type="checkbox"/>	3 <input type="checkbox"/>	3 <input type="checkbox"/>	3 <input type="checkbox"/>	3 <input type="checkbox"/>
4 <input type="checkbox"/>	4 <input type="checkbox"/>	4 <input type="checkbox"/>	4 <input type="checkbox"/>	4 <input type="checkbox"/>
5 <input type="checkbox"/>	5 <input type="checkbox"/>	5 <input type="checkbox"/>	5 <input type="checkbox"/>	5 <input type="checkbox"/>
6 <input type="checkbox"/>	6 <input type="checkbox"/>	6 <input type="checkbox"/>	6 <input type="checkbox"/>	6 <input type="checkbox"/>
7 <input type="checkbox"/>	7 <input type="checkbox"/>	7 <input type="checkbox"/>	7 <input type="checkbox"/>	7 <input type="checkbox"/>
8 <input type="checkbox"/>	8 <input type="checkbox"/>	8 <input type="checkbox"/>	8 <input type="checkbox"/>	8 <input type="checkbox"/>
9 <input type="checkbox"/>	9 <input type="checkbox"/>	9 <input type="checkbox"/>	9 <input type="checkbox"/>	9 <input type="checkbox"/>
0 <input type="checkbox"/>	0 <input type="checkbox"/>	0 <input type="checkbox"/>	0 <input type="checkbox"/>	0 <input type="checkbox"/>
1/2000	1/4000	1/10000 (EIA) 1/8000 (CCIR)	Flickerless* (EIA: 1/100 CCIR: 1/120)	
1 <input type="checkbox"/>	1 <input type="checkbox"/>	1 <input type="checkbox"/>	1 <input type="checkbox"/>	
2 <input type="checkbox"/>	2 <input type="checkbox"/>	2 <input type="checkbox"/>	2 <input type="checkbox"/>	
3 <input type="checkbox"/>	3 <input type="checkbox"/>	3 <input type="checkbox"/>	3 <input type="checkbox"/>	
4 <input type="checkbox"/>	4 <input type="checkbox"/>	4 <input type="checkbox"/>	4 <input type="checkbox"/>	
5 <input type="checkbox"/>	5 <input type="checkbox"/>	5 <input type="checkbox"/>	5 <input type="checkbox"/>	
6 <input type="checkbox"/>	6 <input type="checkbox"/>	6 <input type="checkbox"/>	6 <input type="checkbox"/>	
7 <input type="checkbox"/>	7 <input type="checkbox"/>	7 <input type="checkbox"/>	7 <input type="checkbox"/>	
8 <input type="checkbox"/>	8 <input type="checkbox"/>	8 <input type="checkbox"/>	8 <input type="checkbox"/>	
9 <input type="checkbox"/>	9 <input type="checkbox"/>	9 <input type="checkbox"/>	9 <input type="checkbox"/>	
0 <input type="checkbox"/>	0 <input type="checkbox"/>	0 <input type="checkbox"/>	0 <input type="checkbox"/>	

(Unit: second)

* If you set the mode to flickerless, the positions of DIP switches 1 to 3 are optional.

Notes

- The positions of DIP switches 6 and 7 are optional.
- The DIP switch 5 position is optional. (The field setting is recommended.) The field setting can obtain a sensitivity that is twice that of the frame setting.

External Trigger Shutter

By inputting an external trigger pulse, the camera is able to capture fast-moving objects clearly.

Set DIP switches 6, 7, and 8 on the rear panel to Mode 1 or Mode 2 (See the table below).

When you set the trigger pulse width to 1/3 of a second or more, the output signal changes to the normal VIDEO signal.

There are two modes for timing in which a video signal is obtained.

• Mode 1 (Non-reset mode)

In this mode, a video signal synchronized with a VD signal is output after a trigger pulse is input.

- A video signal is synchronized with the external VD signal when an external HD/VD signal is input.
- A video signal is synchronized with an internal VD signal when no external HD/VD signal is input.

• Mode 2 (Reset mode)

In this mode, an internal VD is reset, then an internal video signal is output after trigger pulse input after a certain period of time.

For details of each timing chart, see pages 13 to 20.

Setting of the External Trigger Shutter

You can set the shutter speed with the DIP switches or using the trigger pulse width.

To set the shutter speed with the trigger pulse width, see page 8.

Using the DIP switches on the rear panel

Mode 1 (Non-reset mode)

1/100 (EIA)* 1/120 (CCIR)*	1/125	1/250	1/500
1 <input type="checkbox"/>	1 <input type="checkbox"/>	1 <input type="checkbox"/>	1 <input type="checkbox"/>
2 <input type="checkbox"/>	2 <input type="checkbox"/>	2 <input type="checkbox"/>	2 <input type="checkbox"/>
3 <input type="checkbox"/>	3 <input type="checkbox"/>	3 <input type="checkbox"/>	3 <input type="checkbox"/>
4 <input type="checkbox"/>	4 <input type="checkbox"/>	4 <input type="checkbox"/>	4 <input type="checkbox"/>
5 <input type="checkbox"/>	5 <input type="checkbox"/>	5 <input type="checkbox"/>	5 <input type="checkbox"/>
6 <input type="checkbox"/>	6 <input type="checkbox"/>	6 <input type="checkbox"/>	6 <input type="checkbox"/>
7 <input type="checkbox"/>	7 <input type="checkbox"/>	7 <input type="checkbox"/>	7 <input type="checkbox"/>
8 <input type="checkbox"/>	8 <input type="checkbox"/>	8 <input type="checkbox"/>	8 <input type="checkbox"/>
9 <input type="checkbox"/>	9 <input type="checkbox"/>	9 <input type="checkbox"/>	9 <input type="checkbox"/>
0 <input type="checkbox"/>	0 <input type="checkbox"/>	0 <input type="checkbox"/>	0 <input type="checkbox"/>
1/1000	1/2000	1/4000	1/10000 (EIA) 1/8000 (CCIR)
1 <input type="checkbox"/>	1 <input type="checkbox"/>	1 <input type="checkbox"/>	1 <input type="checkbox"/>
2 <input type="checkbox"/>	2 <input type="checkbox"/>	2 <input type="checkbox"/>	2 <input type="checkbox"/>
3 <input type="checkbox"/>	3 <input type="checkbox"/>	3 <input type="checkbox"/>	3 <input type="checkbox"/>
4 <input type="checkbox"/>	4 <input type="checkbox"/>	4 <input type="checkbox"/>	4 <input type="checkbox"/>
5 <input type="checkbox"/>	5 <input type="checkbox"/>	5 <input type="checkbox"/>	5 <input type="checkbox"/>
6 <input type="checkbox"/>	6 <input type="checkbox"/>	6 <input type="checkbox"/>	6 <input type="checkbox"/>
7 <input type="checkbox"/>	7 <input type="checkbox"/>	7 <input type="checkbox"/>	7 <input type="checkbox"/>
8 <input type="checkbox"/>	8 <input type="checkbox"/>	8 <input type="checkbox"/>	8 <input type="checkbox"/>
9 <input type="checkbox"/>	9 <input type="checkbox"/>	9 <input type="checkbox"/>	9 <input type="checkbox"/>
0 <input type="checkbox"/>	0 <input type="checkbox"/>	0 <input type="checkbox"/>	0 <input type="checkbox"/>

www.DataSheet4U.com

(Unit: second)

Mode 2 (Reset mode)

1/100 (EIA)* 1/120 (CCIR)*	1/125	1/250	1/500
1 <input type="checkbox"/> <input type="checkbox"/>	1 <input type="checkbox"/> <input type="checkbox"/>	1 <input type="checkbox"/> <input type="checkbox"/>	1 <input type="checkbox"/> <input type="checkbox"/>
2 <input type="checkbox"/> <input type="checkbox"/>	2 <input type="checkbox"/> <input type="checkbox"/>	2 <input type="checkbox"/> <input type="checkbox"/>	2 <input type="checkbox"/> <input type="checkbox"/>
3 <input type="checkbox"/> <input type="checkbox"/>	3 <input type="checkbox"/> <input type="checkbox"/>	3 <input type="checkbox"/> <input type="checkbox"/>	3 <input type="checkbox"/> <input type="checkbox"/>
4 <input type="checkbox"/> <input type="checkbox"/>	4 <input type="checkbox"/> <input type="checkbox"/>	4 <input type="checkbox"/> <input type="checkbox"/>	4 <input type="checkbox"/> <input type="checkbox"/>
5 <input type="checkbox"/> <input type="checkbox"/>	5 <input type="checkbox"/> <input type="checkbox"/>	5 <input type="checkbox"/> <input type="checkbox"/>	5 <input type="checkbox"/> <input type="checkbox"/>
6 <input type="checkbox"/> <input type="checkbox"/>	6 <input type="checkbox"/> <input type="checkbox"/>	6 <input type="checkbox"/> <input type="checkbox"/>	6 <input type="checkbox"/> <input type="checkbox"/>
7 <input type="checkbox"/> <input type="checkbox"/>	7 <input type="checkbox"/> <input type="checkbox"/>	7 <input type="checkbox"/> <input type="checkbox"/>	7 <input type="checkbox"/> <input type="checkbox"/>
8 <input type="checkbox"/> <input type="checkbox"/>	8 <input type="checkbox"/> <input type="checkbox"/>	8 <input type="checkbox"/> <input type="checkbox"/>	8 <input type="checkbox"/> <input type="checkbox"/>
9 <input type="checkbox"/> <input type="checkbox"/>	9 <input type="checkbox"/> <input type="checkbox"/>	9 <input type="checkbox"/> <input type="checkbox"/>	9 <input type="checkbox"/> <input type="checkbox"/>
0 <input type="checkbox"/> <input type="checkbox"/>	0 <input type="checkbox"/> <input type="checkbox"/>	0 <input type="checkbox"/> <input type="checkbox"/>	0 <input type="checkbox"/> <input type="checkbox"/>
1/1000	1/2000	1/4000	1/10000 (EIA) 1/8000 (CCIR)
1 <input type="checkbox"/> <input type="checkbox"/>	1 <input type="checkbox"/> <input type="checkbox"/>	1 <input type="checkbox"/> <input type="checkbox"/>	1 <input type="checkbox"/> <input type="checkbox"/>
2 <input type="checkbox"/> <input type="checkbox"/>	2 <input type="checkbox"/> <input type="checkbox"/>	2 <input type="checkbox"/> <input type="checkbox"/>	2 <input type="checkbox"/> <input type="checkbox"/>
3 <input type="checkbox"/> <input type="checkbox"/>	3 <input type="checkbox"/> <input type="checkbox"/>	3 <input type="checkbox"/> <input type="checkbox"/>	3 <input type="checkbox"/> <input type="checkbox"/>
4 <input type="checkbox"/> <input type="checkbox"/>	4 <input type="checkbox"/> <input type="checkbox"/>	4 <input type="checkbox"/> <input type="checkbox"/>	4 <input type="checkbox"/> <input type="checkbox"/>
5 <input type="checkbox"/> <input type="checkbox"/>	5 <input type="checkbox"/> <input type="checkbox"/>	5 <input type="checkbox"/> <input type="checkbox"/>	5 <input type="checkbox"/> <input type="checkbox"/>
6 <input type="checkbox"/> <input type="checkbox"/>	6 <input type="checkbox"/> <input type="checkbox"/>	6 <input type="checkbox"/> <input type="checkbox"/>	6 <input type="checkbox"/> <input type="checkbox"/>
7 <input type="checkbox"/> <input type="checkbox"/>	7 <input type="checkbox"/> <input type="checkbox"/>	7 <input type="checkbox"/> <input type="checkbox"/>	7 <input type="checkbox"/> <input type="checkbox"/>
8 <input type="checkbox"/> <input type="checkbox"/>	8 <input type="checkbox"/> <input type="checkbox"/>	8 <input type="checkbox"/> <input type="checkbox"/>	8 <input type="checkbox"/> <input type="checkbox"/>
9 <input type="checkbox"/> <input type="checkbox"/>	9 <input type="checkbox"/> <input type="checkbox"/>	9 <input type="checkbox"/> <input type="checkbox"/>	9 <input type="checkbox"/> <input type="checkbox"/>
0 <input type="checkbox"/> <input type="checkbox"/>	0 <input type="checkbox"/> <input type="checkbox"/>	0 <input type="checkbox"/> <input type="checkbox"/>	0 <input type="checkbox"/> <input type="checkbox"/>

(Unit: second)

* If 1/100 (EIA) or 1/120 (CCIR) has been set, the positions of DIP switches 1 to 3 are optional.

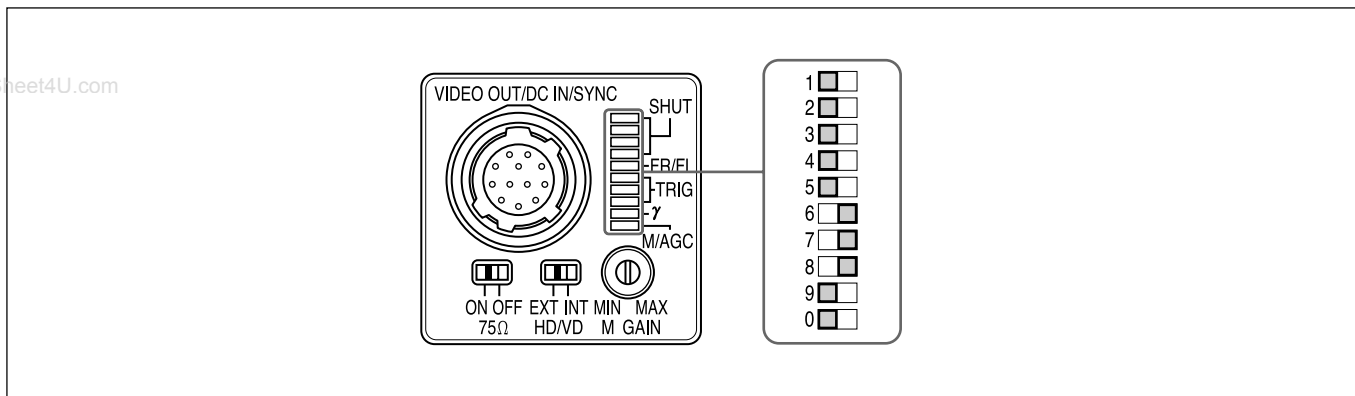
Note

The positions of DIP switches 5, 9 and 0 are optional.

Restart/Reset

To set Restart/Reset mode

The information on one screen can be extracted at any time by externally inputting a restart/reset signal (HD/VD). To enter this mode, set DIP switches 6, 7, and 8 on the rear panel of the camera as shown in the figure below. The setting is especially effective for the operation explained below.

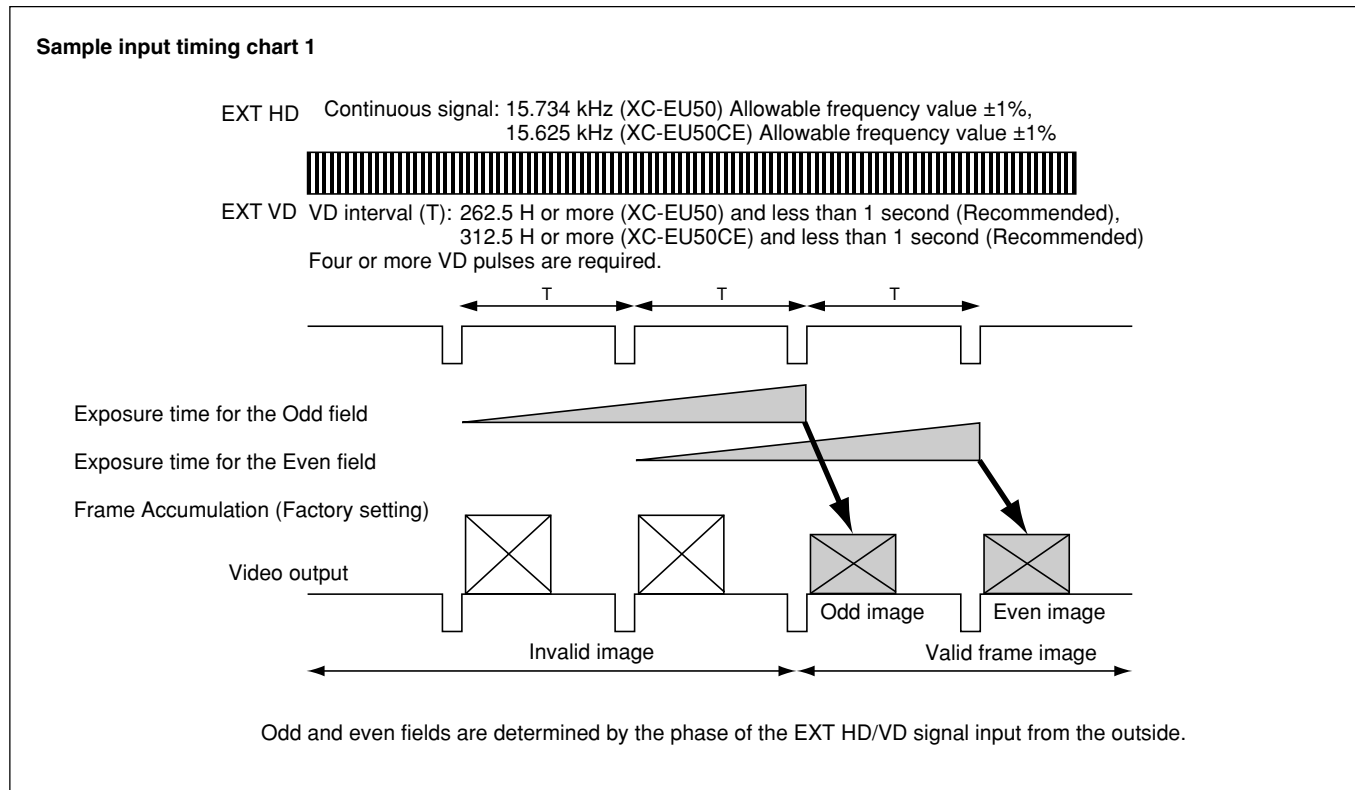


Long exposure

The Restart/Reset function extends the CCD accumulation time, resulting in a highly sensitive image. This function is effective when you cannot gain satisfactory sensitivity under normal operating conditions, or when you want to observe a moving object. Extend the VD interval (T) period between external VD pulses.

Note

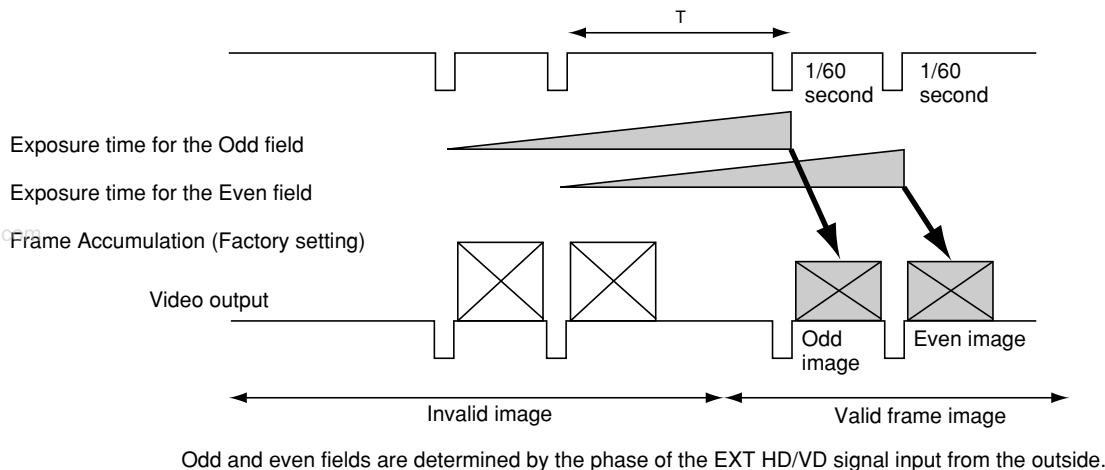
Some white spots may appear after a long exposure.



Sample input timing chart 2

EXT HD Continuous signal: 15.734 kHz (XC-EU50) Allowable frequency value $\pm 1\%$,
15.625 kHz (XC-EU50CE) Allowable frequency value $\pm 1\%$

EXT VD VD interval (T): 262.5 H or more (XC-EU50) and less than 1 second (Recommended),
312.5 H or more (XC-EU50CE) and less than 1 second (Recommended)
Four or more VD pulses are required.



Odd and even fields are determined by the phase of the EXT HD/VD signal input from the outside.

Frame image output with a strobe light

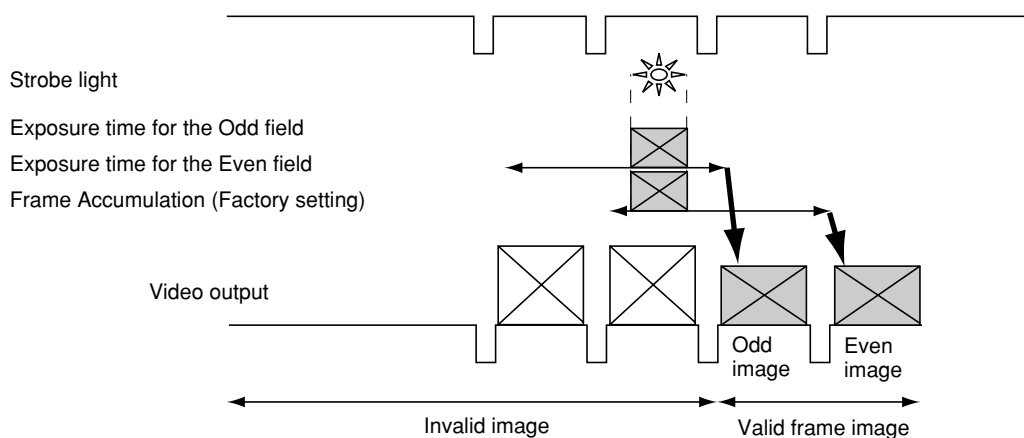
The factory setting for this camera is Frame Accumulation. The images obtained when the normal continuous shutter or trigger shutter is used are field images (vertical resolution: 243 lines).

Using a strobe light and Restart/Reset mode, you can obtain bright frame images by synchronizing any strobe light. (Vertical resolution: 485 lines).

Sample input timing chart

EXT HD Continuous signal: 15.734 kHz (XC-EU50) Allowable frequency value $\pm 1\%$,
15.625 kHz (XC-EU50CE) Allowable frequency value $\pm 1\%$

EXT VD VD: 1/60 sec (XC-EU50), 1/50 sec (XC-EU50CE)
Four or more VD pulses are required.



Odd and even fields are determined by the phase of the EXT HD/VD signal input from the outside.
Avoid lighting the scene during the light-emitting inhibit zone defined below. (The field is transferred to the storage area of the CCD, so it can be read out.)

Note

For best performance, it is recommended that you not flash between VD and VD + 10 H (XC-EU50)/16 H (XC-EU50CE).

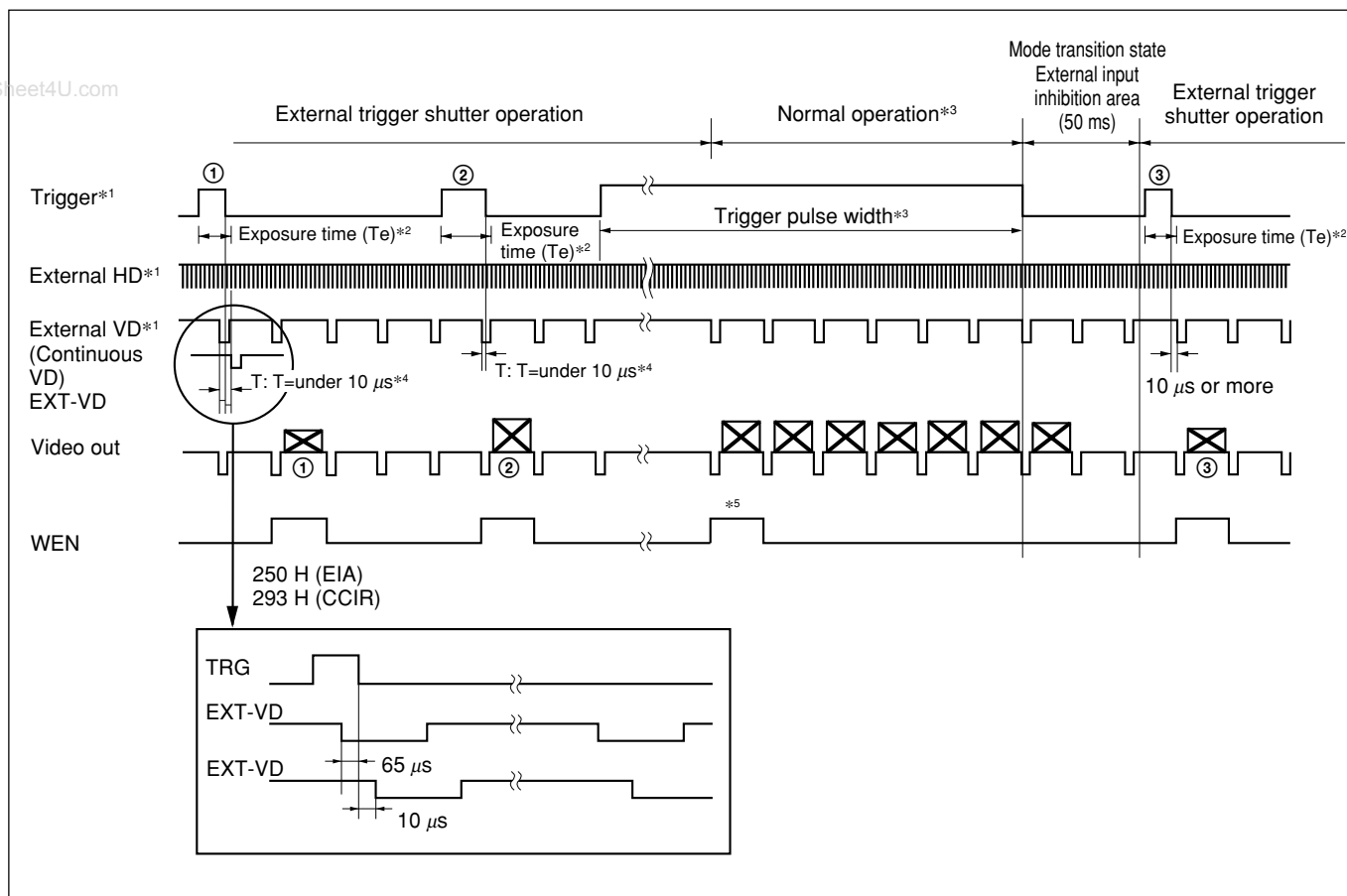
Timing Charts

When set to Mode 1

For setting the shutter speed using the trigger pulse width

HD/VD input

◆ Continuous VD input



*1 This is a signal input from outside. Make sure to input both HD and VD signals.

*2 Exposure time (Te)
 $Te = \text{Trigger pulse width} + 97 \mu\text{sec (EIA)}$
 $Te = \text{Trigger pulse width} + 120 \mu\text{sec (CCIR)}$
 (The effective trigger pulse width for the external trigger shutter operation is between 2 μs and 1/4 s.)

*3 The normal operation state is chosen when the trigger pulse width is 1/3 s or more. The trigger falling edge restores the external trigger shutter operation. In this case, the area between the falling edge of a trigger pulse and the subsequent 50 ms period is an external trigger input inhibition area. There is no guarantee of operation for any trigger input selected in this period.

*4 If there is a falling edge on the external VD within a period of -65 to $+10 \mu\text{s}$ from the falling trigger edge (① and ② in the figure), it is not defined whether the image is output for the external VD falling edge or the image is output for the next external VD falling edge. (① in the figure shows that the image is output for the next external VD. ② shows the image for the external VD.) In this case, see WEN since output of the image and WEN make up a pair. In any other cases, the image is output for the external VD falling edge after the trigger falling edge (③ in the figure).

*5 When the external trigger shutter mode changes to the normal operation mode, one WEN signal is output.

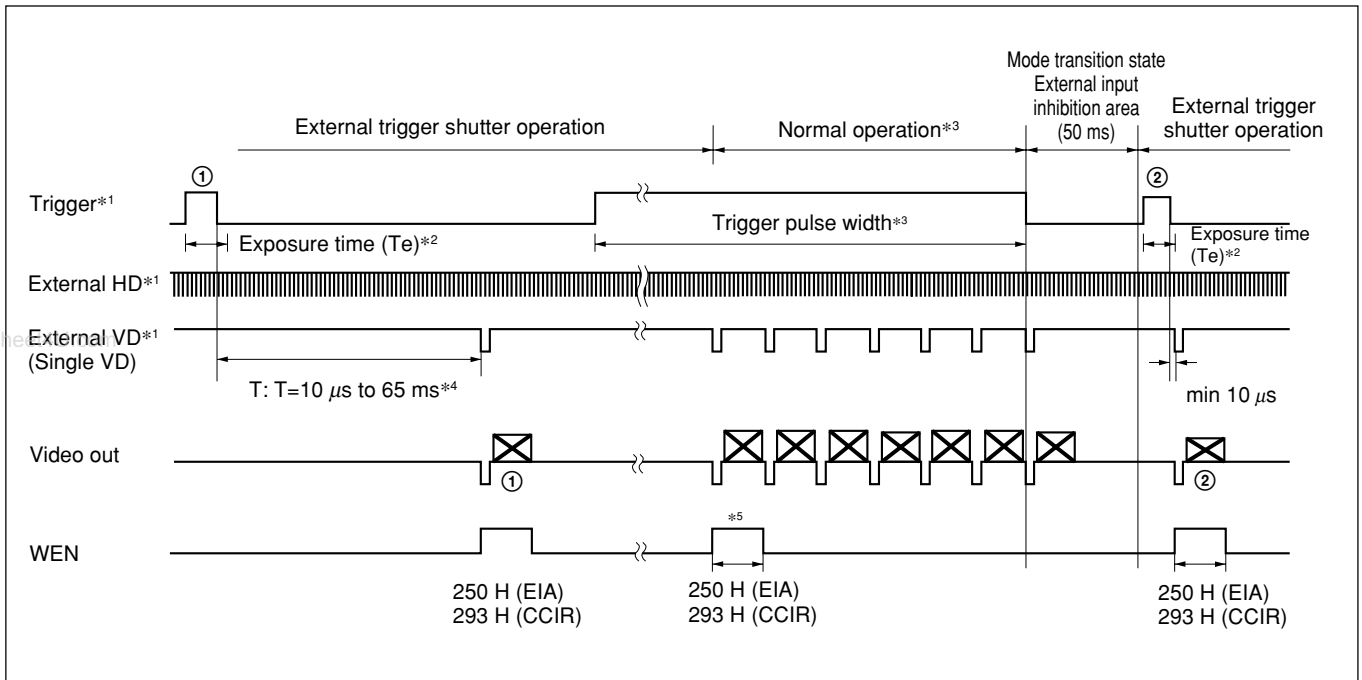
Note

An image is not output correctly when the next trigger is input before the image for the previous trigger.

For setting the shutter speed using the trigger pulse width

HD/VD input

◆ Continuous HD input/Single VD input



*1 This is a signal input from outside. Make sure to input both HD and VD signals in this case. Input the signal so that the VD phase aligns with the HD falling edge.

*2 Exposure time (T_e)
 $T_e = \text{Trigger pulse width} + 97 \mu\text{sec (EIA)}$
 $T_e = \text{Trigger pulse width} + 120 \mu\text{sec (CCIR)}$
 (The effective trigger pulse width for the external trigger shutter operation is between $2 \mu\text{s}$ and $1/4 \text{ s}$.)

*3 The normal operation state is chosen when the trigger pulse width is $1/3 \text{ s}$ or more. (By entering a continuous VD in this section, an image is output.) The trigger falling edge restores the external trigger shutter operation. In this case, the area between the falling edge of a trigger pulse and the subsequent 50 ms period is an external trigger input inhibition area. There is no guarantee of operation for any trigger input selected in this period.

*4 Input the external VD within the period of $10 \mu\text{s}$ to 65 ms after the trigger falling edge (① and ② in the figure). There is no guarantee of operation when any other input is selected. If an invalid signal is input, the input is changed to a valid signal and, after several V signals, normal operation will resume.

*5 When the external trigger shutter mode changes to the normal operation mode, one WEN signal is output.

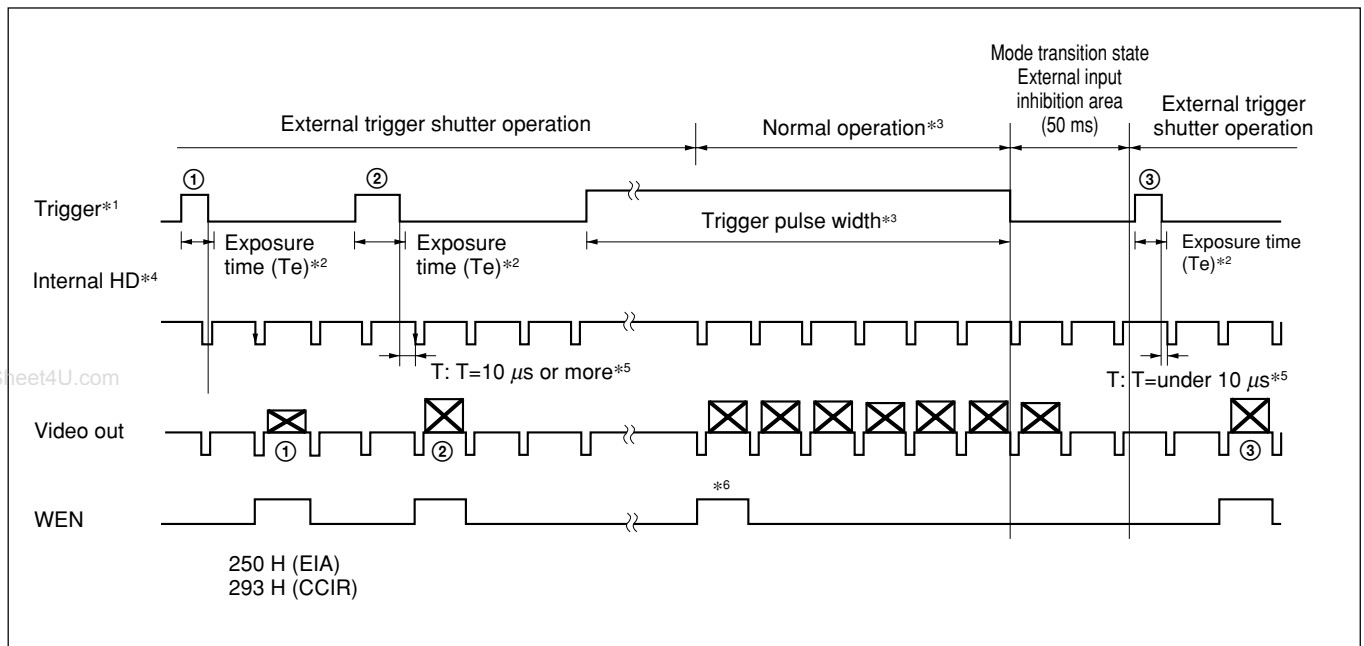
Note

Make sure that the trigger signal and the VD signal make up a pair.

An image is not output correctly when the next trigger is input before the image for the previous trigger is output.

For setting the shutter speed using the trigger pulse width

No HD/VD input (Internal synchronization)



*1 This is a signal input from outside.

*2 Exposure time (Te)
 $Te = \text{Trigger pulse width} + 97 \mu\text{sec (EIA)}$
 $Te = \text{Trigger pulse width} + 120 \mu\text{sec (CCIR)}$
 (The effective trigger pulse width for the external trigger shutter operation is between $2 \mu\text{s}$ and $1/4 \text{ s}$.)

*3 The normal operation state is chosen when the trigger pulse width is $1/3 \text{ s}$ or more. The trigger falling edge restores the external trigger shutter operation. In this case, the area between the falling edge of a trigger pulse and the subsequent 50 ms period is an external trigger input inhibition area. There is no guarantee of operation for any triggers input in this period.

*4 The internal VD signals are output as long as there is no external input and the HD/VD signal I/O switch on the rear panel is set to INT.

*5 In the external trigger operation, the image is output for the internal VD falling edge after the trigger falling edge (① and ② in the figure). If the period from the trigger falling edge to the internal VD falling edge (T in the figure) is under $10 \mu\text{s}$, there may be a delay of 1 VD in the output. (③ in the figure shows that the image is output for the next internal VD). In this case, see WEN since the image and WEN make up a pair. (The internal VD falling edge and the beginning of the equivalent pause in the V period of the SYNC have the same phase.)

*6 When the external trigger shutter mode changes to the normal operation mode, one WEN signal is output.

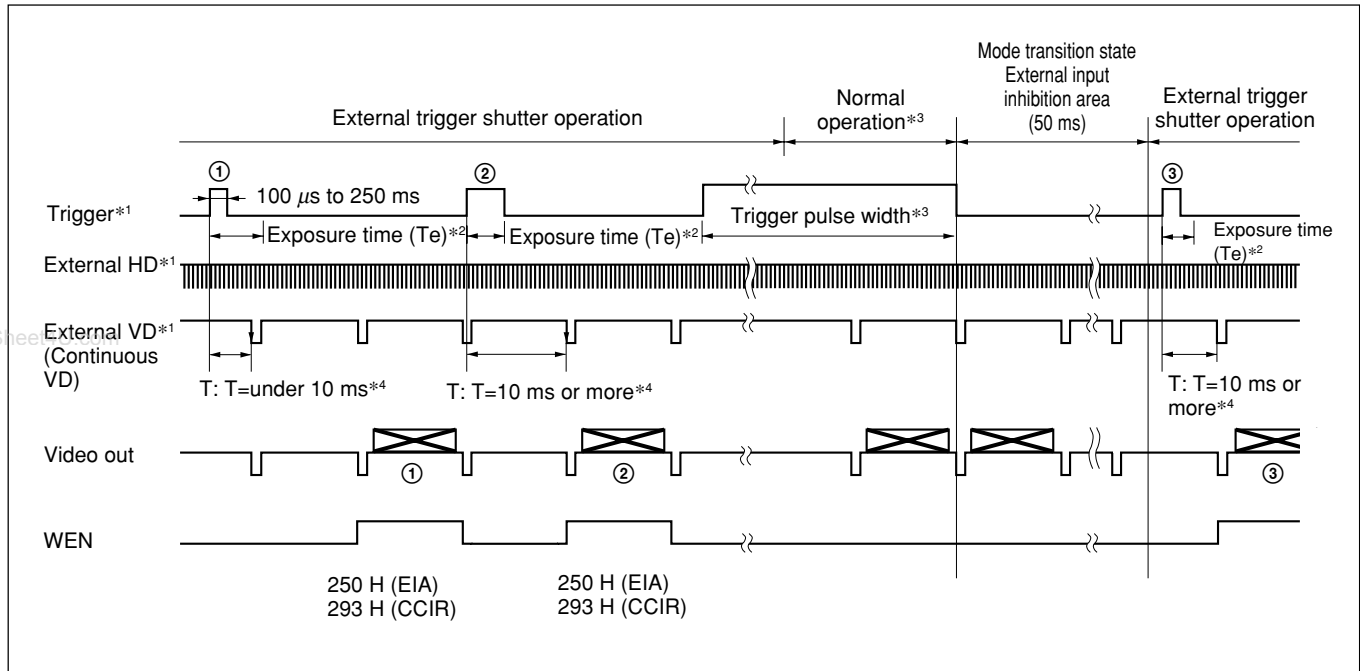
Note

An image is not output correctly when the next trigger is input before the image for the previous trigger is output.

For setting the shutter speed using the DIP switches

HD/VD input

◆ Continuous VD input



*1 This is a signal input from outside. The continuous VD frequency is one field. Make sure you input HD and VD at the same time.

*2 The exposure time (Te) is determined by the setting of the DIP switches.
For details, see Page 9.

*3 The normal operation state is chosen when the trigger pulse width is 1/3 s or more. The trigger falling edge restores the external trigger shutter operation. In this case, the area between the falling edge of a trigger pulse and the subsequent 50 ms period is an external trigger input inhibition area. There is no guarantee of operation for any triggers input in this period.

*4 An image is output when an external VD signal falls 10 ms or more after a trigger pulse rises (② and ③ in the figure). If the period from the trigger rising edge to the external VD falling edge (T in the figure) is under 10 ms, there may be a delay of 1 VD in the output. (① in the figure shows that the image is output for the next external VD). In this case, see WEN since the image and WEN make up a pair.

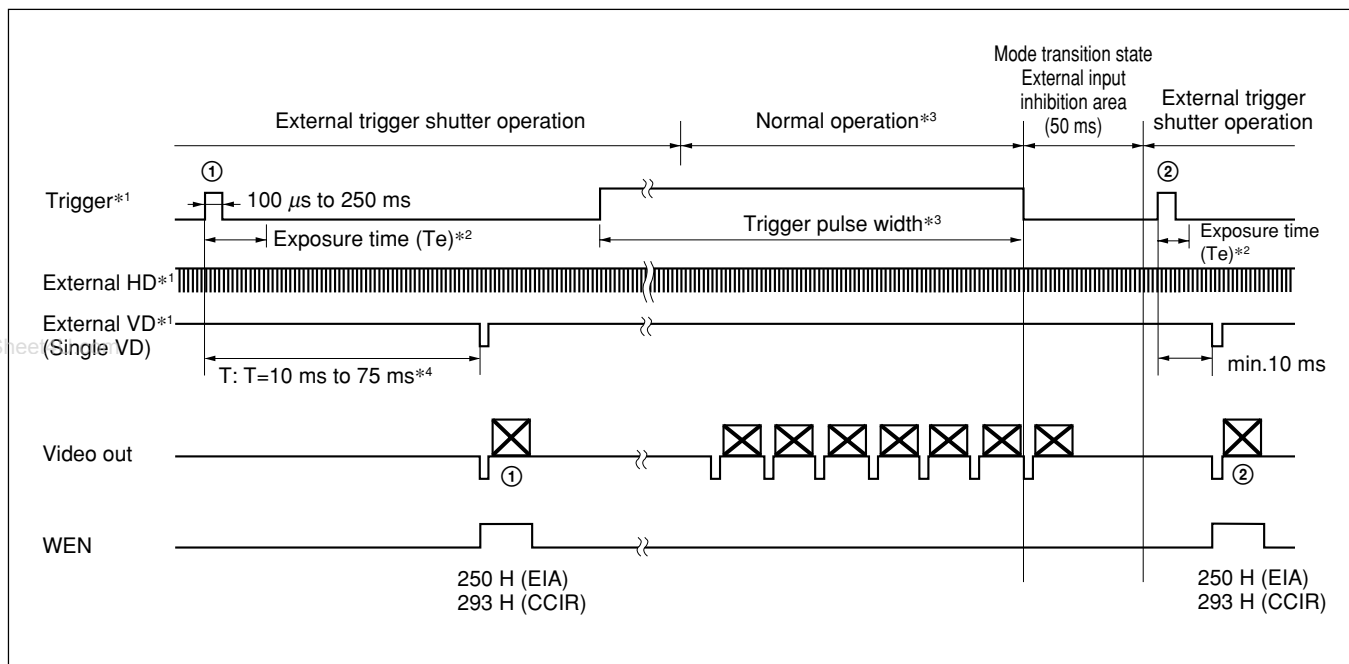
Note

An image is not output correctly when the next trigger is input before the image for the previous trigger is output.

For setting the shutter speed using the DIP switches

HD/VD input

◆ Continuous HD input/Single VD input



*1 This is a signal input from outside. Make sure to input both HD and VD signals in this case. Input the signal so that the VD phase aligns with the HD falling edge.

*2 The exposure time (Te) is determined by the setting of the DIP switches.
For details, see Page 9.

*3 The normal operation state is chosen when the trigger pulse width is 1/3 s or more. (By entering a continuous VD in this section, an image is output.) The trigger falling edge restores the external trigger shutter operation. In this case, the area between the falling edge of a trigger pulse and the subsequent 50 ms period is an external trigger input inhibition area. There is no guarantee of operation for any triggers input in this period.

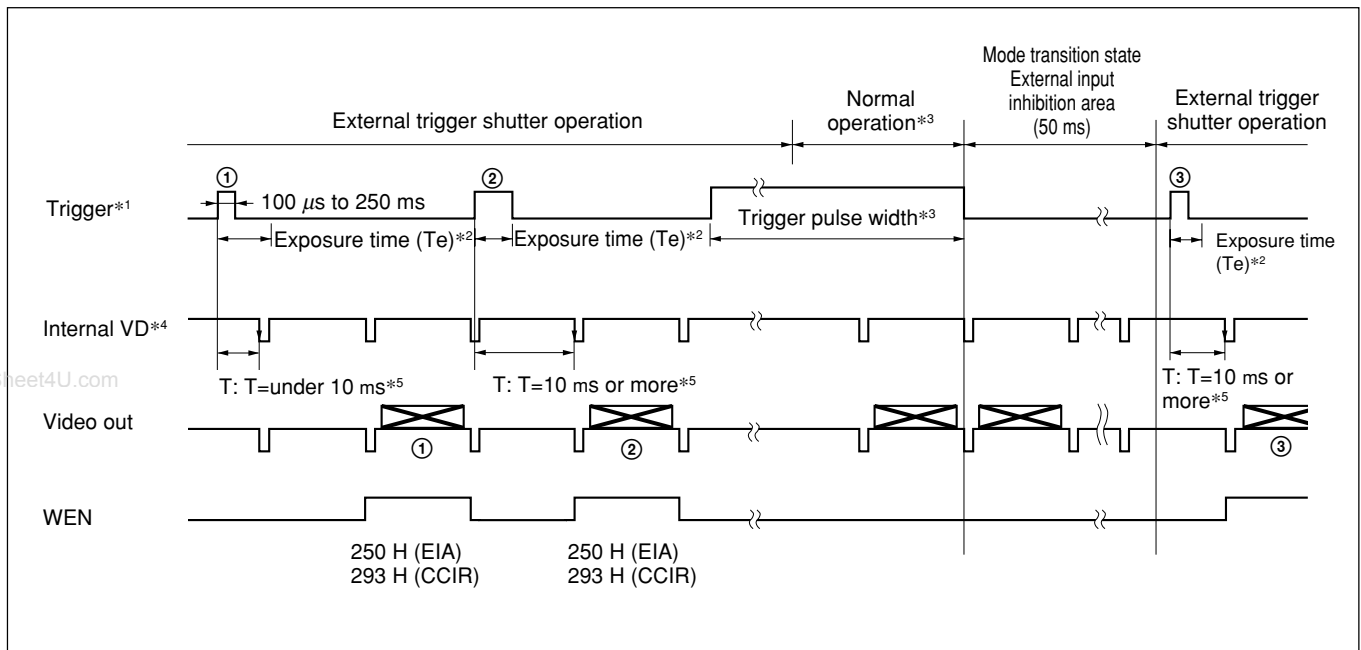
*4 Input the external VD within the period of 10 ms to 75 ms after the trigger rising edge (1 and 2 in the figure). There is no guarantee of operation when any other input is selected. If an invalid signal is input, the input is changed to a valid signal, and after several V signals, normal operation will resume.

Note

Make sure that the trigger signal and the VD signal make up a pair.
An image is not output correctly when the next trigger is input before the image for the previous trigger is output.

For setting the shutter speed using the DIP switches

No HD/VD input (Internal synchronization)



*1 This is a signal input from outside.

*2 The exposure time (Te) is determined by the setting of the DIP switches.
For details, see Page 9.

*3 The normal operation state is chosen when the trigger pulse width is 1/3 s or more. The trigger falling edge restores the external trigger shutter operation. In this case, the area between the falling edge of a trigger pulse and the subsequent 50 ms period is an external trigger input inhibition area. There is no guarantee of operation for any triggers input in this period.

*4 The internal VD signals are output as long as there is no external input and the HD/VD signal input/output switch on the rear panel is set to INT.

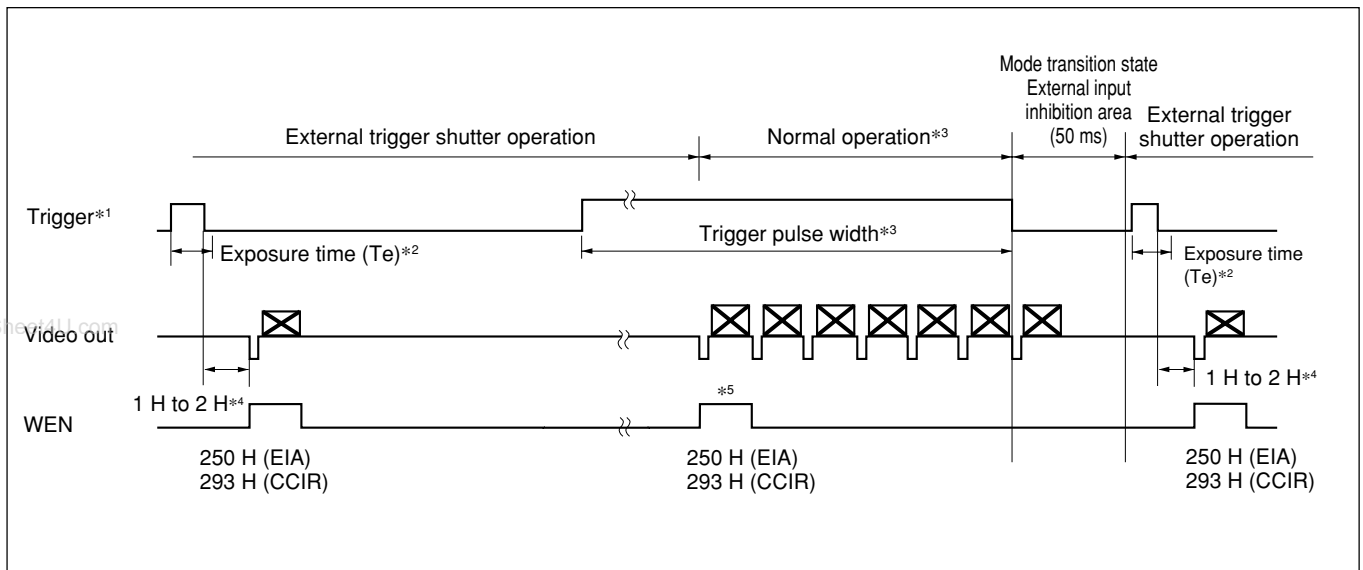
*5 An image is output when an internal VD signal falls 10 ms or more after a trigger pulse rises (2 and 3 in the figure). If the period from the trigger rising edge to the internal VD falling edge (T in the figure) is under 10 ms, it is not defined whether the image is output for the internal VD falling edge or the image is output for the next internal VD falling edge. (1 in the figure shows that the image is output for the next internal VD). In this case, see WEN since the image and WEN make up a pair. (The internal VD falling edge and the beginning of the equivalent pause in the V period of the SYNC have the same phase.)

Note

An image is not output correctly when the next trigger is input before the image for the previous trigger is output.

When set to Mode 2

For setting the shutter speed using the trigger pulse width



*1 This is a signal input from outside. The trigger input frequency must be [Trigger pulse width + 1 field + 2 H frequency] or more. The operation is not guaranteed for shorter frequencies. If invalid data is input, normal operation is resumed several Vs after entering the correct data.

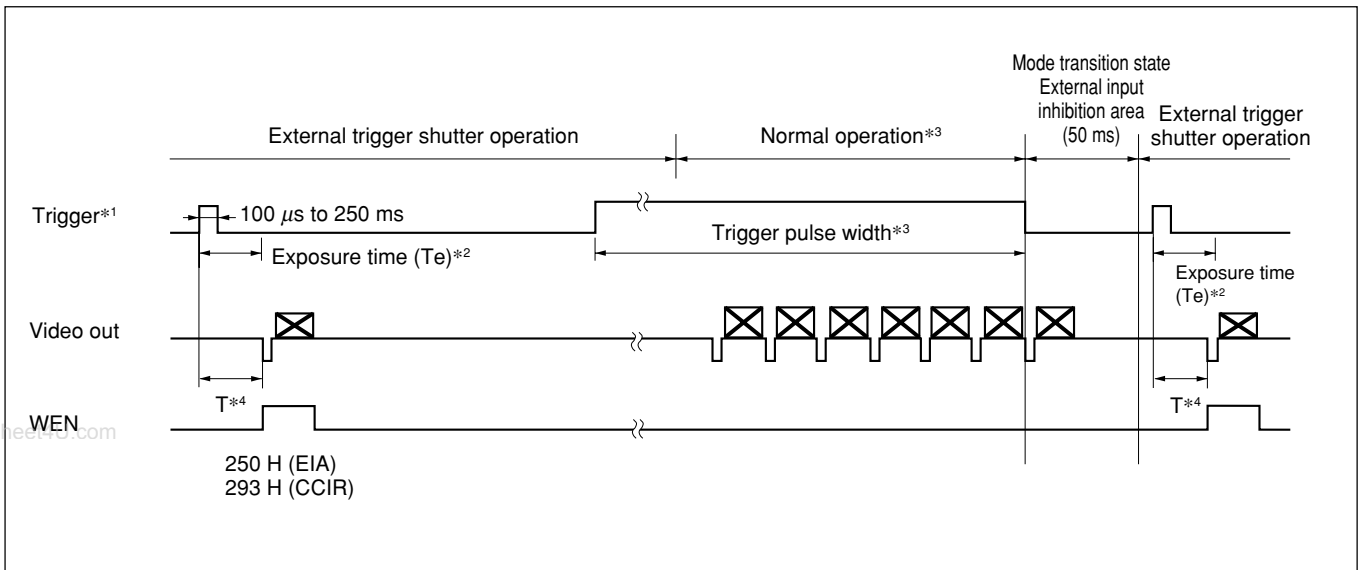
*2 Exposure time (Te)
 $Te = \text{Trigger pulse width} + 97 \mu\text{sec (EIA)}$
 $Te = \text{Trigger pulse width} + 120 \mu\text{sec (CCIR)}$
 (The effective trigger pulse width for the external trigger shutter operation is between $2 \mu\text{s}$ and $1/4 \text{ s}$.)

*3 The normal operation state is chosen when the trigger pulse width is $1/3 \text{ s}$ or more. The trigger falling edge restores the external trigger shutter operation. In this case, the area between the falling edge of a trigger pulse and the subsequent 50 ms period is an external trigger input inhibition area. There is no guarantee of operation for any triggers input in this period.

*4 A VD signal is generated after 1 H to 2 H from the trigger falling edge, then the image is output synchronized with the VD generation.

*5 When the external trigger shutter mode changes to the normal operation mode, one WEN signal is output.

For setting the shutter speed using the DIP switches



*1 This is a signal input from outside. The trigger input frequency must be [Shutter speed (DIP switches) + 1 field + 2 H frequency] or more. If invalid data is input, normal operation is resumed several Vs after entering the correct data.

*2 The exposure time (Te) is determined by the setting of the DIP switches.
For details, see Page 10.

*3 The normal operation state is chosen when the trigger pulse width is 1/3 s or more. The trigger falling edge restores the external trigger shutter operation. In this case, the area between the falling edge of a trigger pulse and the subsequent 50 ms period is an external trigger input inhibition area. There is no guarantee of operation for any triggers input in this period.

*4 The image is output at the shortest timing from the trigger rising edge according to the DIP switch setting.

Appendix

Specifications

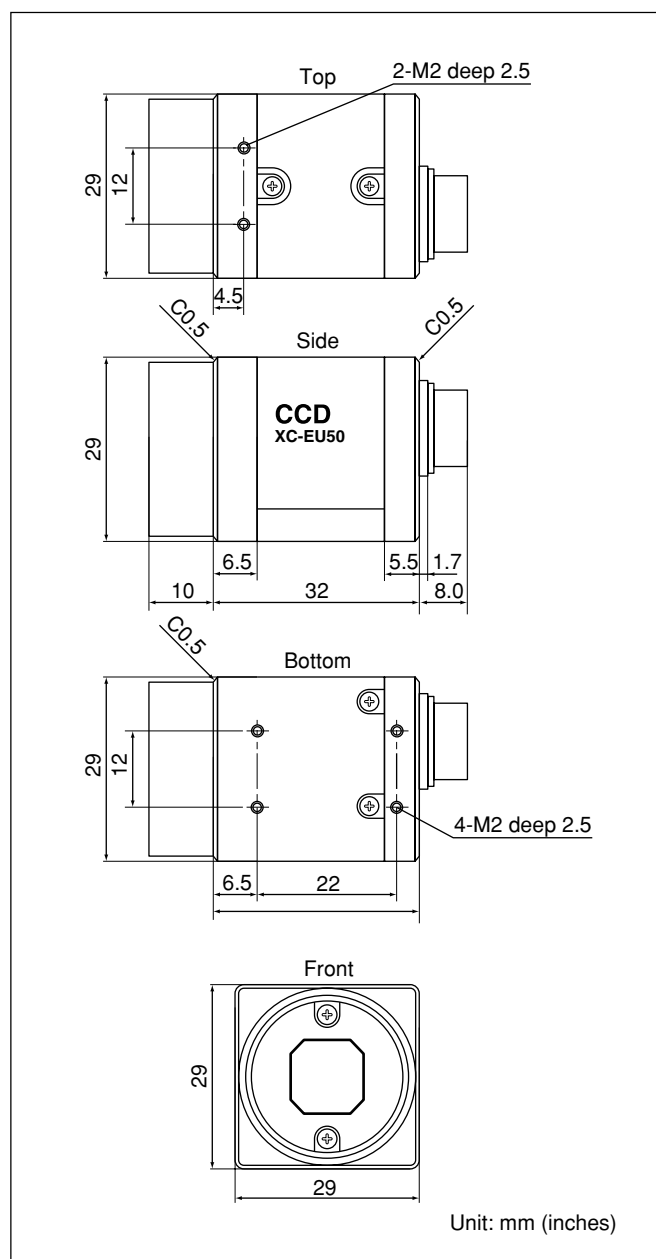
Image pickup device	1/2type interline transfer CCD	Horizontal resolution	XC-EU50: 570 TV lines XC-EU50CE: 560 TV lines
Number of effective pixels	XC-EU50: 768 (H) × 494 (V) XC-EU50CE: 752 (H) × 582 (V)	S/N ratio	60 dB
Cell size	XC-EU50: 8.4 (H) × 9.8 (V) μm XC-EU50CE: 8.6 (H) × 8.3 (V) μm	GAIN	AGC/Manual (Can be selected using the DIP switch on the rear panel)
Chip size	XC-EU50: 7.95 (H) × 6.45 (V) mm XC-EU50CE: 7.95 (H) × 6.45 (V) mm	Gamma compensation	ON/OFF (Can be selected using the DIP switch on the rear panel)
CCD horizontal driving frequency	XC-EU50: 14.318 MHz XC-EU50CE: 14.187 MHz	Electronic shutter	XC-EU50: 1/100 to 1/10,000 second XC-EU50CE: 1/120 to 1/10,000 second
CCD vertical driving frequency	XC-EU50: 15.734 kHz ± 1% XC-EU50CE: 15.625 kHz ± 1%	External trigger shutter	XC-EU50: 1/4 to 1/10,000 second XC-EU50CE: 1/4 to 1/8,000 second * Can be changed using the trigger pulse width or set using the DIP switches on the rear panel.
Signal system	XC-EU50: EIA XC-EU50CE: CCIR	Power requirement	DC +12 V (+9.0 V to 16 V)
Lens mount	C-mount	Power consumption	1.6 W
Flange back	17.526 mm (²³ / ₃₂ inches) (light wavelength: 360 nm)	Operating temperature	-5 °C to +45 °C (23 °F to 113 °F)
Synchronization system	Internal/External (Selected automatically)	Storage temperature	-20 °C to +60 °C (-4 °F to 140 °F)
External synchronization input/output	HD/VD (2 to 5 Vp-p) * Automatically selected according to the existence of an input signal when the selection switch on the rear panel has been set to EXT.	Performance assurance temperature	0 °C to +30 °C (32 °F to 86 °F)
Allowable frequency deviation of external synchronization	±1% (in horizontal synchronous frequency)	Operating humidity	20 to 80% (Non-condensing)
Jitter	Within ±50 nsec	Storage humidity	20 to 95% (Non-condensing)
Scanning system	XC-EU50: 525 lines XC-EU50CE: 625 lines 2:1 interlace/noninterlace (automatically switched according to input signal)	Vibration resistance	10 G (For 20 minutes in the X,Y and Z directions at 20 to 200 Hz)
		Shock resistance	70 G
		Outside dimensions	29 (W) × 29 (H) × 32 (D) mm (1 ³ / ₁₆ (W) × 1 ³ / ₁₆ (H) × 1 ⁵ / ₁₆ (D) inches)

Weight	50 g (2 oz)
Standards	UL1492, FCC Class A Digital Device, CE (EN50081-2 +EN50082-2), AS3548 (Class A)
Other	Restart/Reset function Frame or field accumulation can be selected. New EIAJ compliance 12-pin connector pin assignment External trigger shutter
Accessories	Lens mount cap (1) Operating Instructions (1)

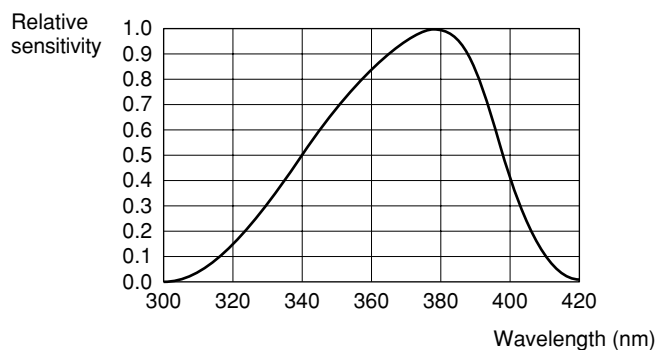
www.DataSheet4U.com

Dimensions

XC-EU50/EU50CE



Spectral Sensitivity Characteristics (Typical Value)



Note

The lens characteristics and light source characteristics are excluded.

Recommended light source

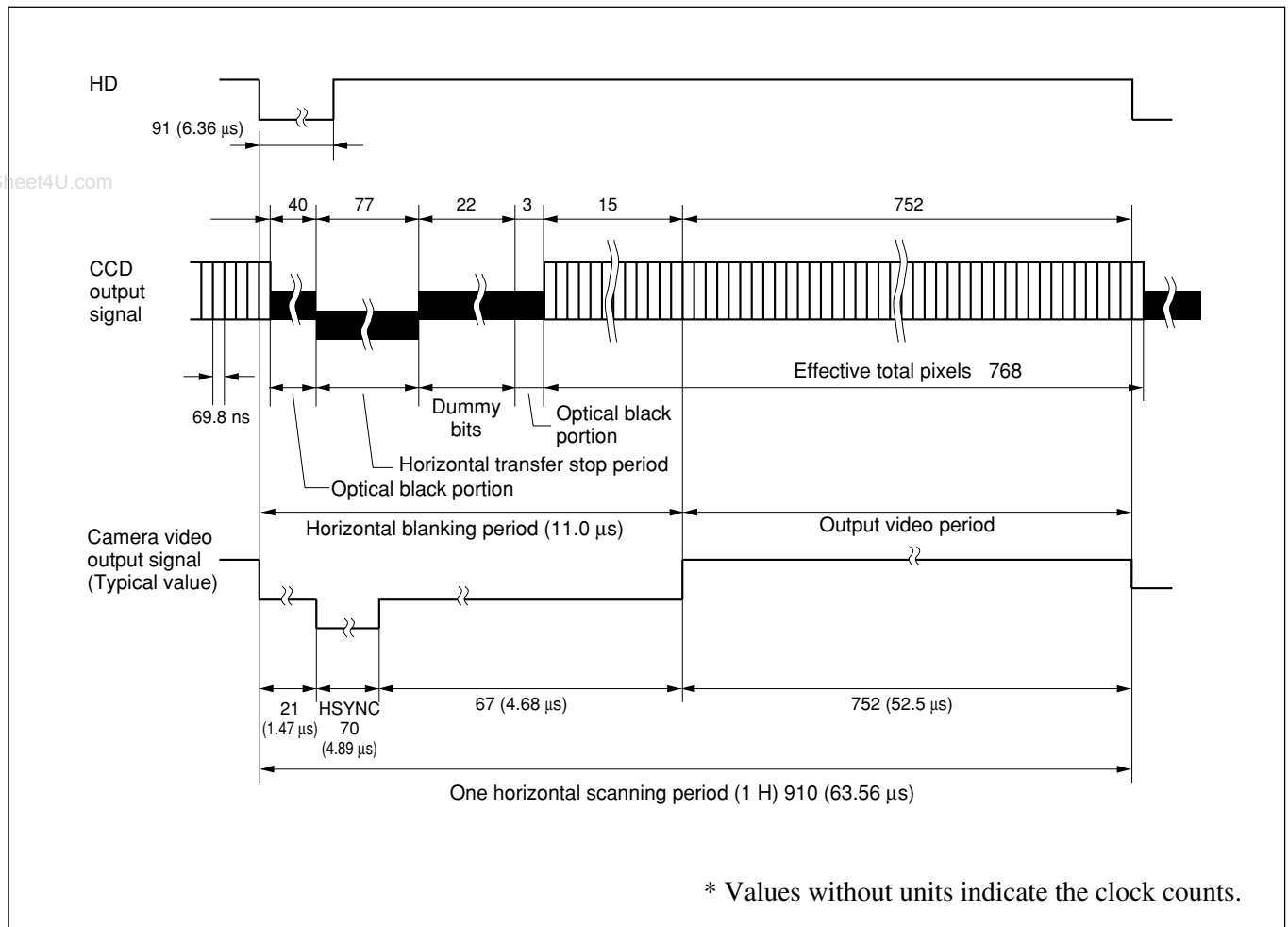
Use a light source that has a wavelength of about 360 nm, such as black light.

For more details, contact your nearest Sony dealer.

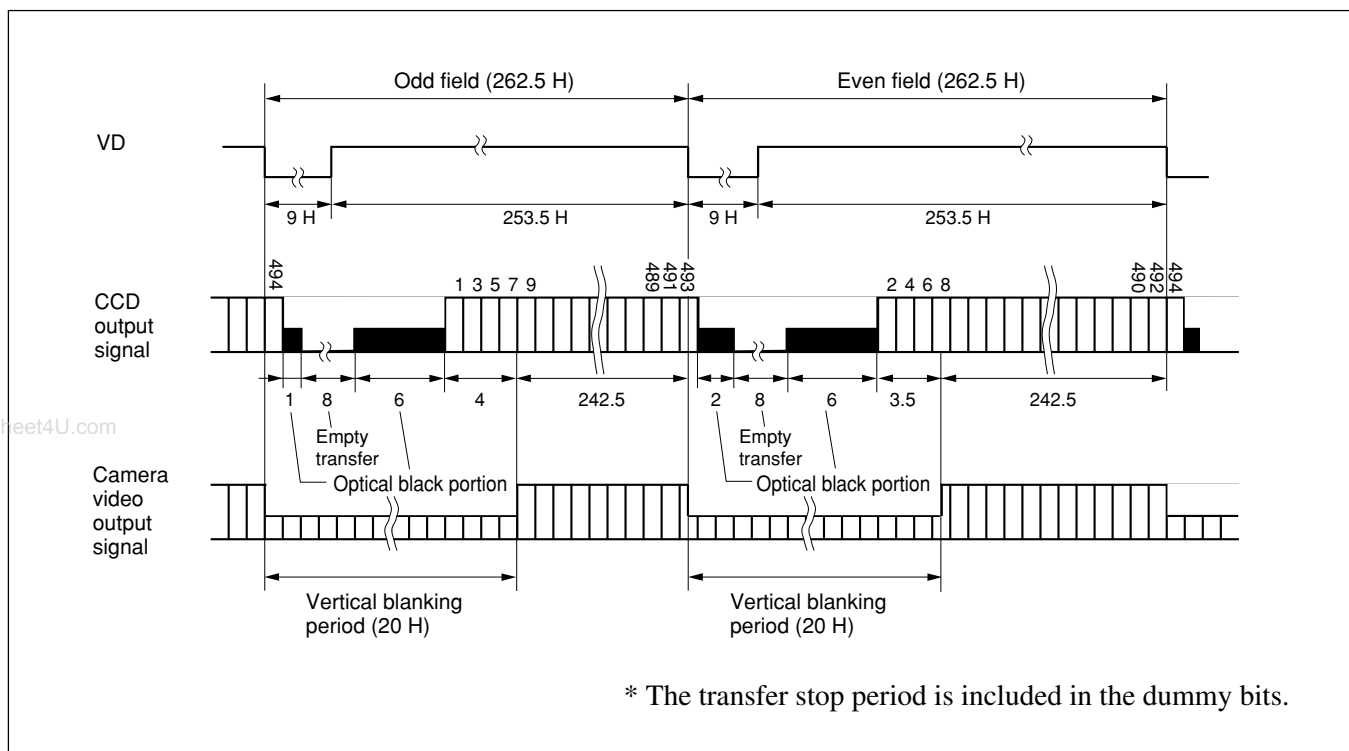
CCD Output Waveform Timing Chart

XC-EU50

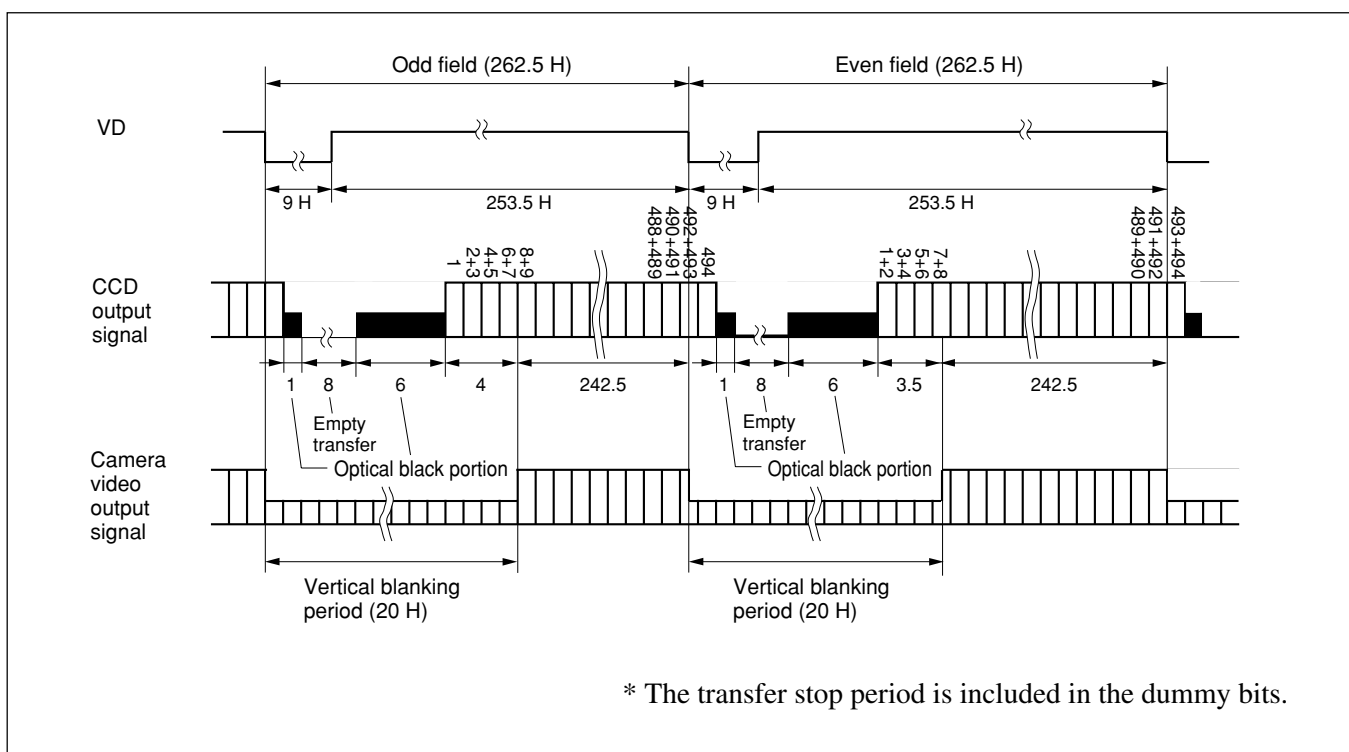
Horizontal Output Waveform Timing Chart



Vertical Output Waveform Timing Chart (2:1 interlaced frame accumulation)

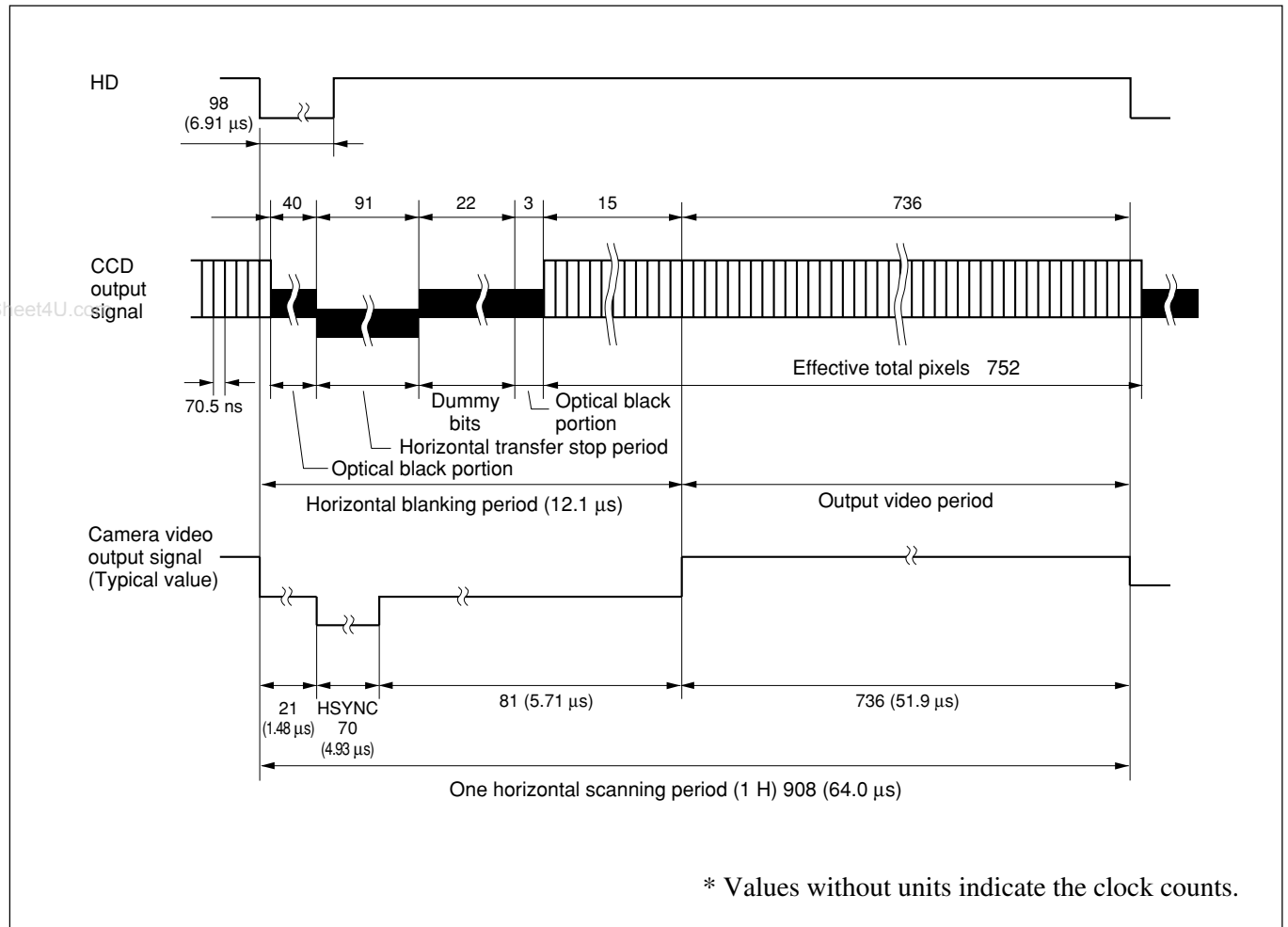


Vertical Output Waveform Timing Chart (2:1 interlaced field accumulation)

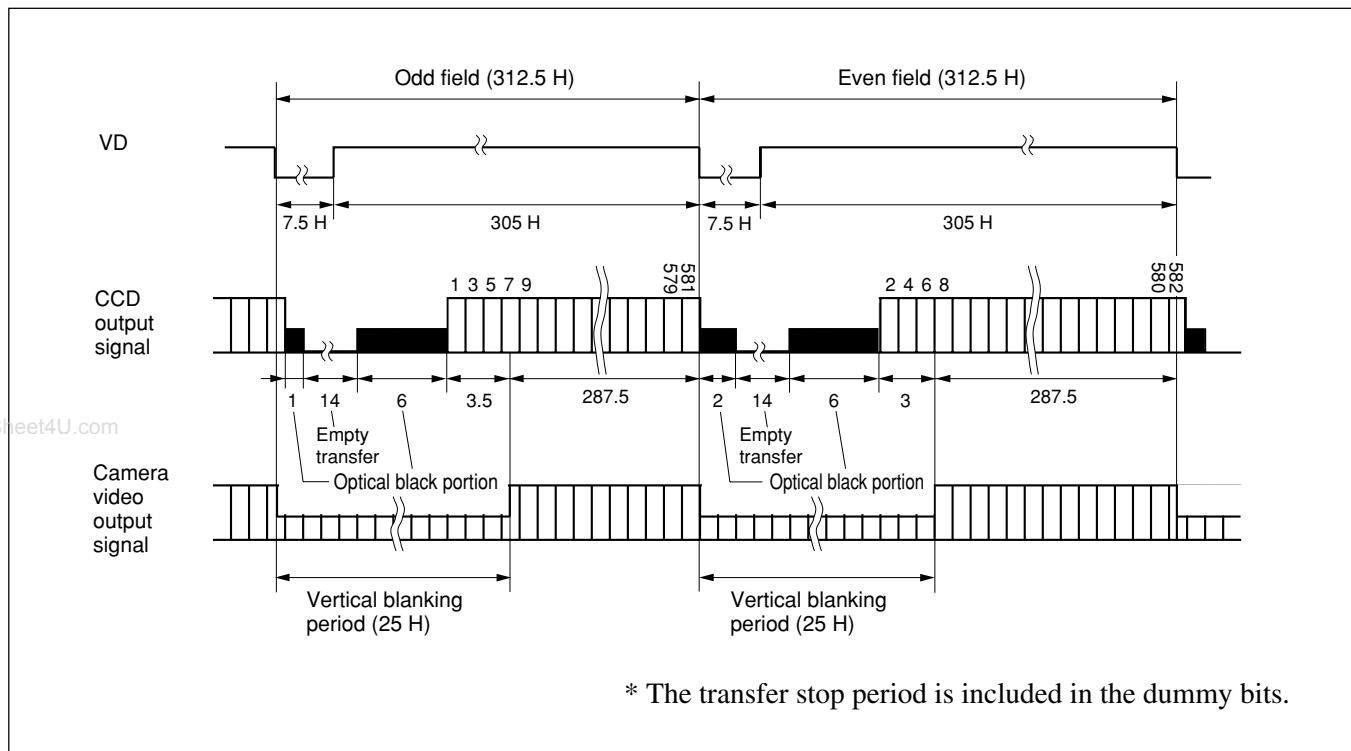


XC-EU50CE

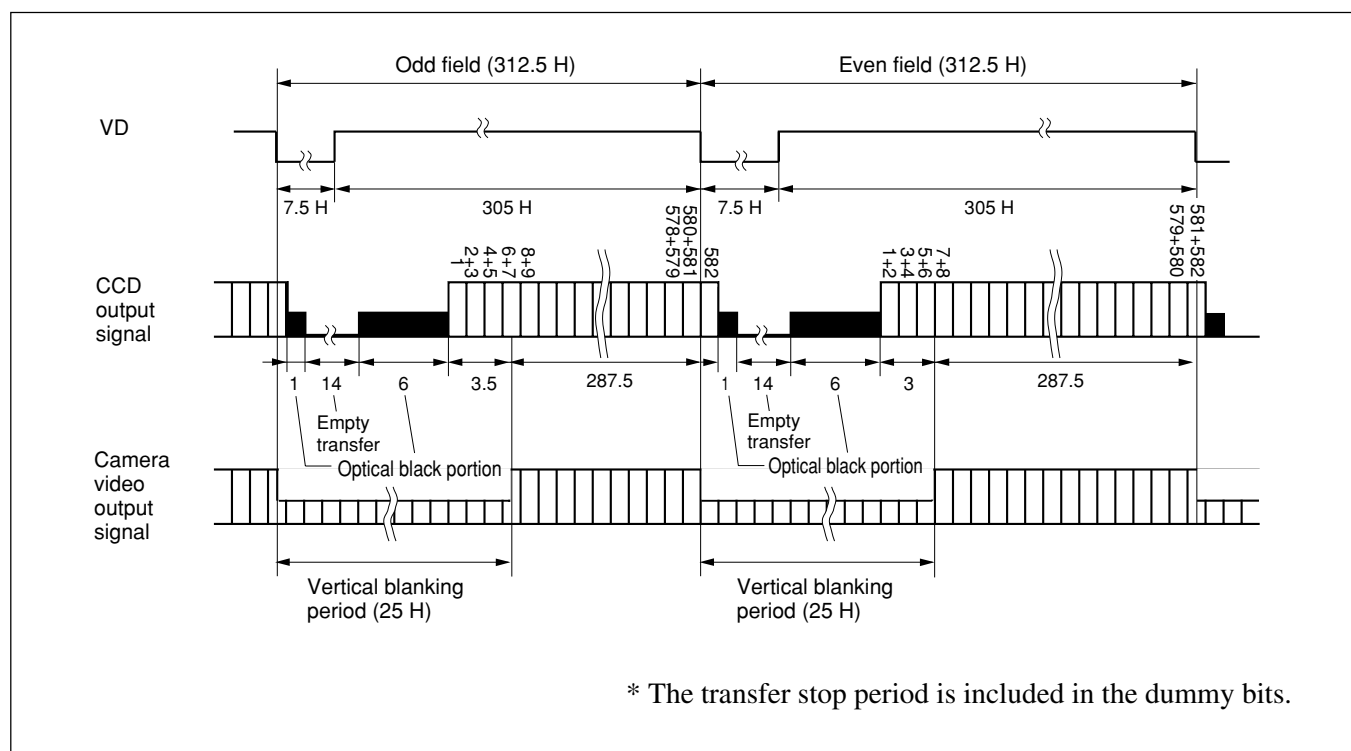
Horizontal Output Waveform Timing Chart



Vertical Output Waveform Timing Chart (2:1 interlaced frame accumulation)



Vertical Output Waveform Timing Chart (2:1 interlaced field accumulation)



Sony reserves the right to change specifications of the products and discontinue products without notice.
Technical information contained herein is for reference only and does not convey any license by any implication or otherwise under any intellectual property right or other right of Sony or third parties.
Sony cannot assume responsibility for any right infringements arising out of the use of this information.