

## Load Switch with Low On-Resistance (Current Limit 400mA)

### ■ GENERAL DESCRIPTION

The XC8102 series is a low ON resistance load switch IC with ON/OFF control and output current protection which integrates a P-channel MOSFET.

By connecting the XC8102 to the output pin of a step-down DC/DC converter, the CE pin controls ON/OFF for each distribution switch to deliver power per requirements and maximize total power efficiency. As a result, the XC8102 helps to extend battery life and product operation time.

The series contains a current limit and protection circuit so these are not required externally unlike discrete circuit solutions where MOSFETs and resistors are used.

When a low signal is input to the CE pin, the series enters stand-by mode. Even where a load capacitor is connected to the output pin during stand-by, the electric charge stored at the load capacitor is discharged through the internal switch. As a result, the  $V_{OUT}$  pin voltage falls quickly to the  $V_{SS}$  level.

The series contains over current protection with fold-back current circuitry which operates as over current protection and short circuit protection for the output pin.

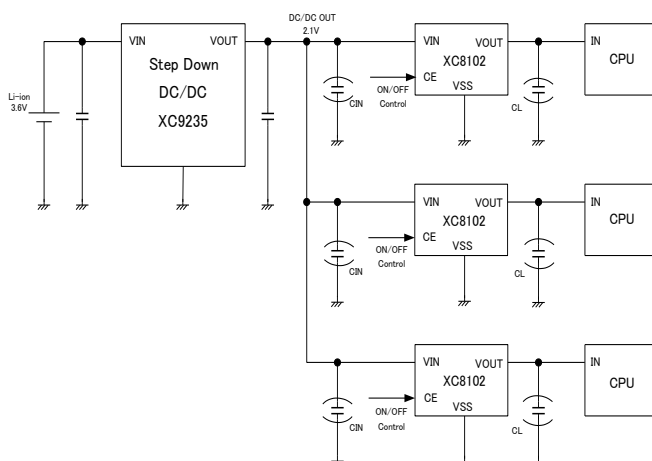
### ■ APPLICATIONS

- Smart phones / Mobile phones
- Digital still cameras / Camcorders
- Portable game consoles

### ■ FEATURES

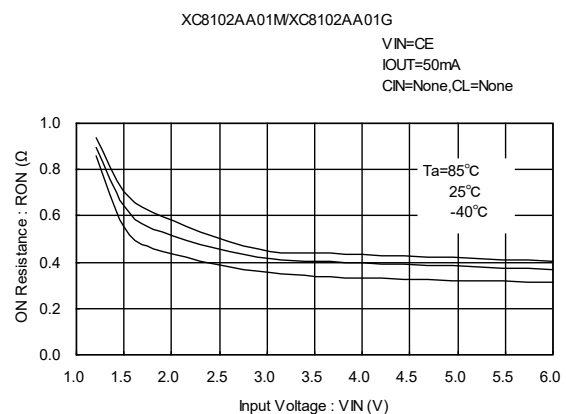
On Resistance	: 0.28Ω@ $V_{IN}=6.0V$ (TYP.) 0.31Ω@ $V_{IN}=4.0V$ (TYP.) 0.35Ω@ $V_{IN}=2.9V$ (TYP.) 0.52Ω@ $V_{IN}=1.8V$ (TYP.) 0.60Ω@ $V_{IN}=1.5V$ (TYP.) 0.80Ω@ $V_{IN}=1.2V$ (TYP.)
Input Voltage Range	: 1.2V ~ 6.0V
Power Consumption	: 3.0 μA@ $V_{IN}=1.2V$ 3.6 μA@ $V_{IN}=2.9V$ 4.0 μA@ $V_{IN}=6.0V$
Stand-by Current	: 0.1 μA
Protection Circuit	: Current limit(Output Current) 400mA ( $1.8 \leq V_{IN} \leq 6.0V$ ) Short-circuit Protection, Short current= 30mA (TYP.)
ON/OFF Function	: Active High Enable High-Speed Discharge Function
Operating Ambient Temperature	: -40°C ~ 85°C
Packages	: USP-4, SSOT-24, SOT-25, USPN-4, USP-6B06
Environmentally Friendly	: EU RoHS Compliant, Pb Free

### ■ TYPICAL APPLICATION CIRCUIT

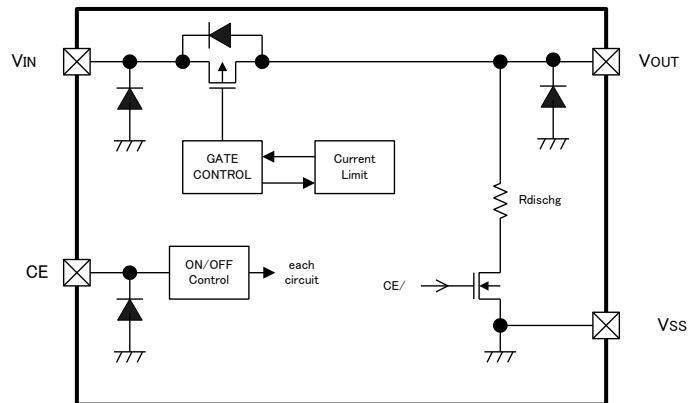


### ■ TYPICAL PERFORMANCE CHARACTERISTICS

#### ● On Resistance vs. Input Voltage



## ■ BLOCK DIAGRAM



XC8102AA Series

\* Diodes inside the circuit are an ESD protection diode and a parasitic diode.

## ■ PRODUCT CLASSIFICATION

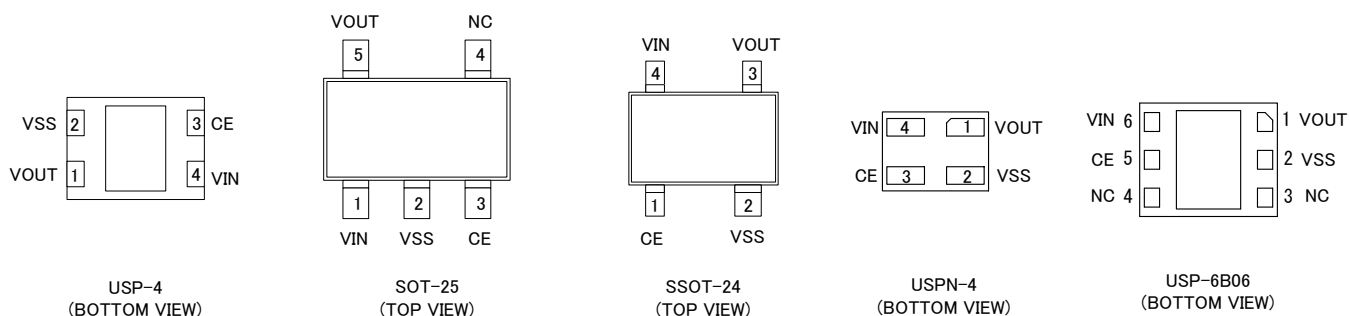
### ● Ordering Information

XC8102①②③④⑤⑥-⑦<sup>(\*)</sup>

DESIGNATOR	ITEM	SYMBOL	DESCRIPTION
①	CE pin logic	A	CE High active
②	C <sub>L</sub> Discharge Function	A	C <sub>L</sub> auto-discharge function
③④	Internal Standard Number	01	Fixed
⑤⑥-⑦ <sup>(*)</sup>	Packages (Order Unit)	GR-G	USP-4 (3,000pcs/Reel)
		MR-G	SOT-25 (3,000pcs/Reel)
		NR-G	SSOT-24 (3,000pcs/Reel)
		7R-G	USPN-4 (5,000pcs/Reel)
		8R-G	USP-6B06 (5,000pcs/Reel)

<sup>(\*)</sup> The "-G" suffix denotes Halogen and Antimony free as well as being fully EU RoHS compliant.

## ■ PIN CONFIGURATION



\*The heat dissipation pad of the USP-4 and USP-6B06 package is recommended to solder as shown in the recommended mount pattern and metal mask pattern for mounting strength. The heat dissipation pad should be electrically opened or connected to the  $V_{SS}$  (No. 2) pin.

## ■ PIN ASSIGNMENT

PIN NUMBER					PIN NAME	FUNCTIONS
USP-4	SOT-25	SSOT-24	USPN-4	USP-6B06		
4	1	4	4	6	$V_{IN}$	Power Input
1	5	3	1	1	$V_{OUT}$	Output
2	2	2	2	2	$V_{SS}$	Ground
3	3	1	3	5	CE	ON/OFF Control
—	4	—	-	3,4	NC	No Connection

## ■ FUNCTION

PIN NAME	SIGNAL	STATUS
CE	H	Active
	L	Stand-by
	OPEN	Undefined state

H = High Level  
L = Low Level

\* CE pin should not be left open.

## ■ ABSOLUTE MAXIMUM RATINGS

PARAMETER		SYMBOL	RATINGS	UNITS		
Input Voltage		$V_{IN}$	-0.3 ~ 6.5	V		
Output Current		$I_{OUT}$	850 <sup>(*)</sup>	mA		
			750 (USPN-4) <sup>(*)</sup>			
Output Voltage		$V_{OUT}$	-0.3 ~ $V_{IN}$	V		
CE Input Voltage		$V_{CE}$	-0.3 ~ 6.5	V		
Power Dissipation ( $T_a=25^{\circ}C$ )		Pd	120 (IC only)	mW		
			1000 (40mm x 40mm standard board) <sup>(*)</sup>			
			150 (IC only)			
			500 (40mm x 40mm standard board) <sup>(*)</sup>			
			680 (JESD51-7 board)			
			250 (IC only)			
			600 (40mm x 40mm standard board) <sup>(*)</sup>			
			760 (JESD51-7 board)			
USP-4		Pd	100 (IC only)	mW		
SSOT-24			600 (40mm x 40mm standard board) <sup>(*)</sup>			
SOT-25			900 (40mm x 40mm standard board) <sup>(*)</sup>			
USPN-4						
USP-6B06						
Operating Ambient Temperature			$T_{opr}$		-40 ~ 85	$^{\circ}C$
Storage Temperature			$T_{stg}$		-55 ~ 125	$^{\circ}C$

<sup>(\*)</sup> Please make sure that  $I_{OUT}$  is less than  $Pd / (V_{IN} - V_{OUT})$

<sup>(\*)</sup> The power dissipation figure shown is PCB mounted and is for reference only.  
Please refer to PACKAGING INFORMATION for the mounting condition.

## ■ ELECTRICAL CHARACTERISTICS

● XC8102 Series

Ta=25°C

PARAMETER	SYMBOL	CONDITIONS	MIN.	TYP.	MAX.	UNITS	CIRCUITS
Input Voltage	V <sub>IN</sub>		1.2	-	6.0	V	-
On Resistance (SSOT-24/USPN-4)	R <sub>ON</sub>	V <sub>IN</sub> =6.0V, V <sub>CE</sub> =V <sub>IN</sub>	-	0.28	0.425	Ω	①
		V <sub>IN</sub> =4.0V, V <sub>CE</sub> =V <sub>IN</sub>	-	0.31	0.475		
		V <sub>IN</sub> =2.9V, V <sub>CE</sub> =V <sub>IN</sub>	-	0.35	0.475		
		V <sub>IN</sub> =1.8V, V <sub>CE</sub> =V <sub>IN</sub>	-	0.52	0.625		
		V <sub>IN</sub> =1.5V, V <sub>CE</sub> =V <sub>IN</sub>	-	0.60	0.80		
		V <sub>IN</sub> =1.2V, V <sub>CE</sub> =V <sub>IN</sub>	-	0.80	1.60		
On Resistance (SOT-25/USP-4/ USP-6B06)	R <sub>ON</sub>	V <sub>IN</sub> =6.0V, V <sub>CE</sub> =V <sub>IN</sub>	-	0.35	0.475	Ω	①
		V <sub>IN</sub> =4.0V, V <sub>CE</sub> =V <sub>IN</sub>	-	0.38	0.525		
		V <sub>IN</sub> =2.9V, V <sub>CE</sub> =V <sub>IN</sub>	-	0.43	0.525		
		V <sub>IN</sub> =1.8V, V <sub>CE</sub> =V <sub>IN</sub>	-	0.59	0.675		
		V <sub>IN</sub> =1.5V, V <sub>CE</sub> =V <sub>IN</sub>	-	0.67	0.85		
		V <sub>IN</sub> =1.2V, V <sub>CE</sub> =V <sub>IN</sub>	-	0.87	1.65		
Supply Current	I <sub>DD</sub>	V <sub>IN</sub> =6.0V, V <sub>CE</sub> =V <sub>IN</sub> , V <sub>OUT</sub> =OPEN	-	4.0	7.0	μA	②
		V <sub>IN</sub> =4.0V, V <sub>CE</sub> =V <sub>IN</sub> , V <sub>OUT</sub> =OPEN	-	3.8	6.5		
		V <sub>IN</sub> =2.9V, V <sub>CE</sub> =V <sub>IN</sub> , V <sub>OUT</sub> =OPEN	-	3.6	6.3		
		V <sub>IN</sub> =1.8V, V <sub>CE</sub> =V <sub>IN</sub> , V <sub>OUT</sub> =OPEN	-	3.4	5.7		
		V <sub>IN</sub> =1.5V, V <sub>CE</sub> =V <sub>IN</sub> , V <sub>OUT</sub> =OPEN	-	3.2	5.5		
		V <sub>IN</sub> =1.2V, V <sub>CE</sub> =V <sub>IN</sub> , V <sub>OUT</sub> =OPEN	-	3.0	4.9		
Stand-by Current	I <sub>STBY</sub>	V <sub>IN</sub> =6.0V, V <sub>CE</sub> =V <sub>SS</sub> , V <sub>OUT</sub> =OPEN	-	0.01	0.10	μA	②
Switch Leakage Current	I <sub>LEAK</sub>	V <sub>IN</sub> =6.0V, V <sub>CE</sub> =V <sub>SS</sub> , V <sub>OUT</sub> =0V	-	0.01	0.10	μA	②
Current Limit	I <sub>LIM</sub>	V <sub>IN</sub> ≥ 2.9V, V <sub>OUT</sub> = V <sub>IN</sub> - 0.8V	400	480	-	mA	①
		1.8V ≤ V <sub>IN</sub> < 2.9V, V <sub>OUT</sub> = V <sub>IN</sub> - 0.6V	400	480	-		
		1.5V ≤ V <sub>IN</sub> < 1.8V, V <sub>OUT</sub> = 1.2V	200	-	-		
		1.2V ≤ V <sub>IN</sub> < 1.5V, V <sub>OUT</sub> = 1.0V	90	-	-		
Short Circuit Current	I <sub>SHORT</sub>	V <sub>CE</sub> =V <sub>IN</sub> , V <sub>OUT</sub> =0V	-	30	75	mA	①
CE High Level Voltage	V <sub>CEH</sub>		1.1	-	6.0	V	③
CE Low Level Voltage	V <sub>CEL</sub>		V <sub>SS</sub>	-	0.3	V	③
CE High Level Current	I <sub>CEH</sub>	V <sub>CE</sub> =V <sub>IN</sub>	-0.1	-	0.1	μA	③
CE Low Level Current	I <sub>CEL</sub>	V <sub>CE</sub> =V <sub>SS</sub>	-0.1	-	0.1	μA	③
C <sub>L</sub> Auto-Discharge Resistance	R <sub>DCHG</sub>	V <sub>IN</sub> =4.0V, V <sub>OUT</sub> =4.0V, V <sub>CE</sub> =V <sub>SS</sub>	380	480	570	Ω	④
Turn On Time 1 (*1)(*3)	t <sub>DLY1(ON)</sub>	V <sub>IN</sub> =4.0V, V <sub>CE</sub> =0.3V→1.2V, R <sub>L</sub> =80Ω, without C <sub>IN</sub> , C <sub>L</sub>	-	8.5	18	μs	⑤
Turn On Time 2 (*2)	t <sub>DLY2(ON)</sub>	V <sub>IN</sub> =4.0V, V <sub>CE</sub> =0.3V→1.2V, R <sub>L</sub> =80Ω, without C <sub>IN</sub> , C <sub>L</sub>	-	50	150	μs	⑤
Turn Off Time (*2)	t <sub>DLY(OFF)</sub>	V <sub>IN</sub> =4.0V, V <sub>CE</sub> =1.2V→0.3V, R <sub>L</sub> =80Ω, without C <sub>IN</sub> , C <sub>L</sub>	-	3.0	7.5	μs	⑤

NOTE:

\*1: Time to reach 90% of V<sub>OUT</sub> after V<sub>CE</sub> entering the V<sub>CEH</sub> threshold.

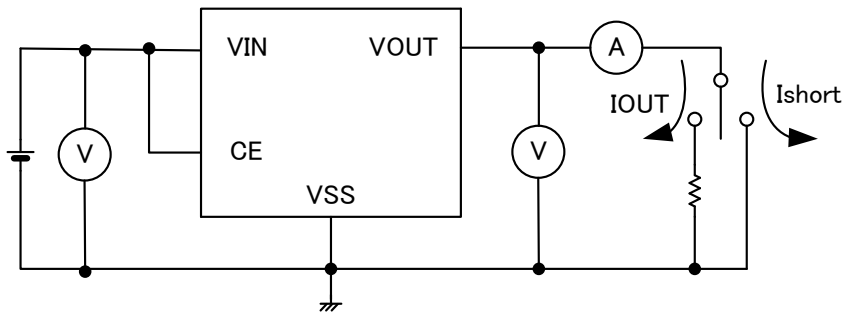
\*2: Time to fall to 10% of V<sub>OUT</sub> after V<sub>CE</sub> entering the V<sub>CEL</sub> threshold.

\*3: Restart time after startup (■ OPERATIONAL EXPLANATION <Turn-on time, Turn-off time TIMING CHART>③)

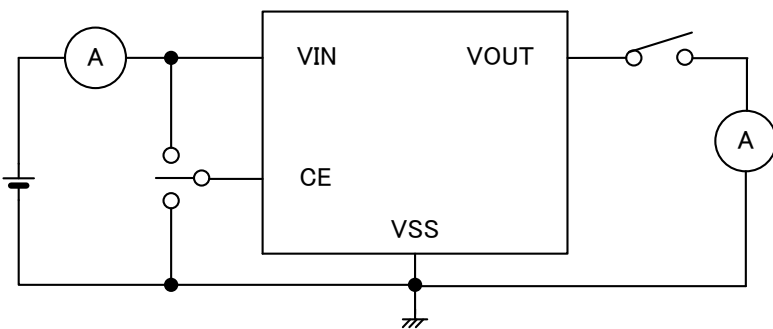
In the case of 10ms or less.

## TEST CIRCUITS

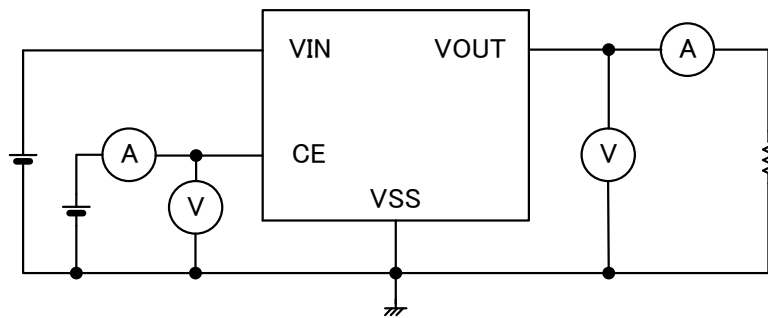
Circuit ①



Circuit ②

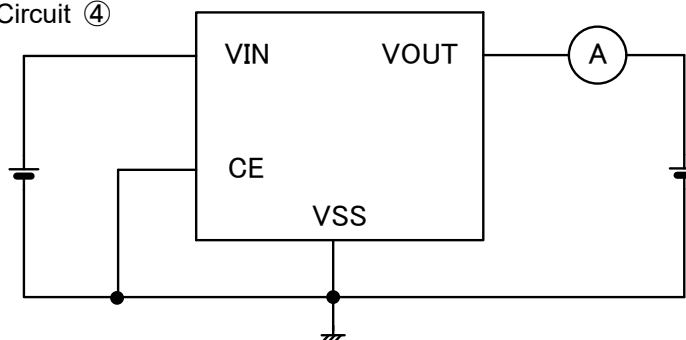


Circuit ③

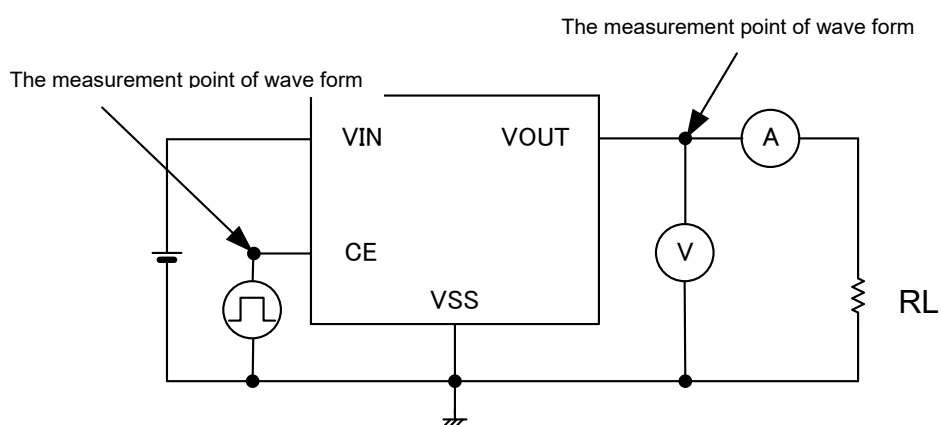


## ■ TEST CIRCUITS (Continued)

Circuit ④



Circuit ⑤



## OPERATIONAL EXPLANATION

### <CE Pin>

The XC8102 enables an output P-channel MOSFET switch and the IC internal circuitry to turn off by the signal to the CE pin. In the shutdown mode, the V<sub>OUT</sub> pin will be pulled down to the V<sub>SS</sub> by the C<sub>L</sub> auto-discharge function (R<sub>DCHG</sub>).

The output voltage becomes unstable when the CE pin is opened. If the input voltage to the CE pin is within the specified threshold voltages, the logic is fixed and the XC8102 will operate normally. However, supply current may increase as a result of the shoot-through current of internal circuitry when the medium level voltage is input to the CE pin.

### <Input/Output Capacitor>

The XC8102 works well without an input and output capacitors. Also, an output capacitor of the power source can be used as an input capacitor of the XC8102 and a bypass capacitor of the driving IC can be used as an output capacitor of the XC8102.

### <C<sub>L</sub> Auto-Discharge Function>

The XC8102 series a C<sub>L</sub> auto-discharge resistor and an N-channel transistor between the V<sub>OUT</sub> pin and the V<sub>SS</sub> pin. The device quickly discharges the electric charge in the output capacitor (C<sub>L</sub>) when a low signal to the CE pin is input to turn off a whole IC circuit. The C<sub>L</sub> auto-discharge resistance is set at 480Ω (V<sub>OUT</sub>=4.0V TYP. @ V<sub>IN</sub>=4.0). Discharge time of the output capacitor (C<sub>L</sub>) is determined by a C<sub>L</sub> auto-discharge resistor value (R<sub>dischg</sub>) and an output capacitor value. Time constant τ is defined as (τ = C x R<sub>dischg</sub>). Output voltage after starting discharge can be calculated by the following formula.

$$V = V_{OUT} \times e^{-t/\tau} \text{ or } t = \tau \ln(V_{OUT} / V)$$

V	: Output voltage after starting discharge,
V <sub>OUT</sub>	: Output voltage,
t	: Discharge time,
τ	: Output discharge resistor value R <sub>dischg</sub> × Output capacitor (C <sub>L</sub> ) value C

### <Current Limiter, Short-Circuit Protection>

The XC8102 series contains a constant current limiter and fold-back current circuitry. The constant current limiter operates to limit output current and the fold-back current circuitry operates as short circuit protection for the output pin.

When the load current reaches the limit current, the constant current limiter operates, and the output voltage drops. The output voltage further, then the fold-back current circuitry operates to decrease the output current. When the output pin is short-circuited to the ground, the output current drops and maintains a flow about 30mA.

### <Turn-on time, Turn-off time>

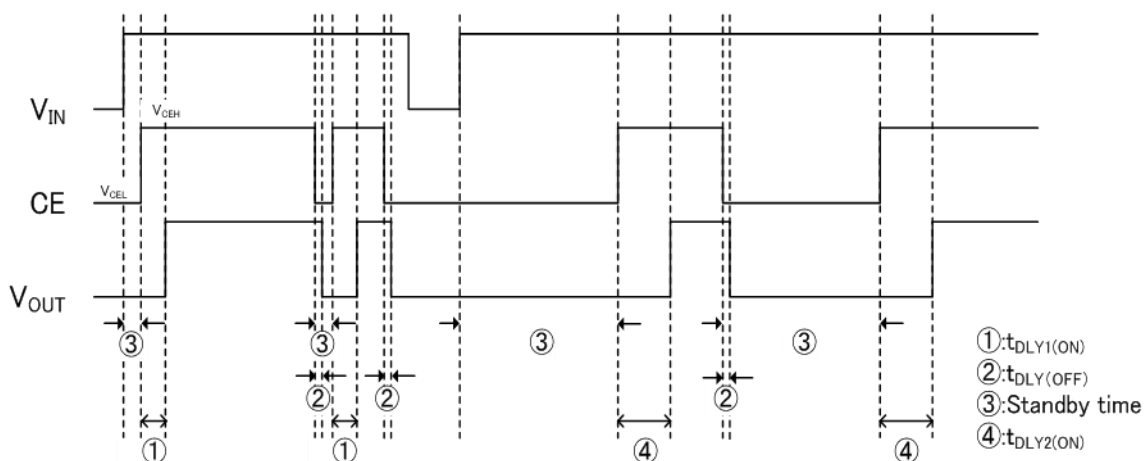
Turn-on Time is the time to reach 90% of V<sub>OUT</sub> after V<sub>CE</sub> entering the V<sub>CEH</sub> threshold.

When the standby time after startup is short (10 ms or less) the output stands up in time of Turn on time 1.

If the standby time is long, the output stands up in time of Turn on time 2.

Turn-on Time is the time to fall to 10% of V<sub>OUT</sub> after V<sub>CE</sub> entering the V<sub>CEL</sub> threshold.

### <Turn-on time, Turn-off time TIMING CHART>



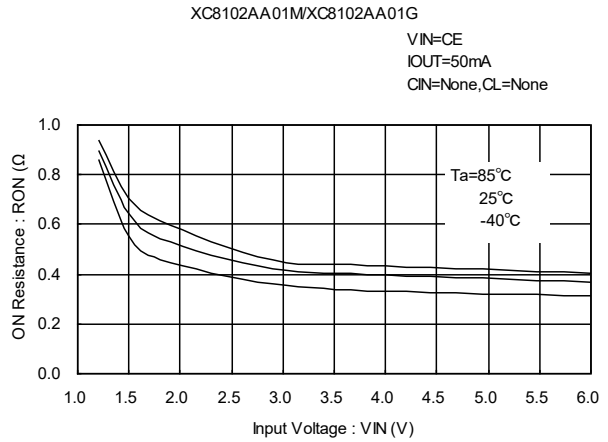
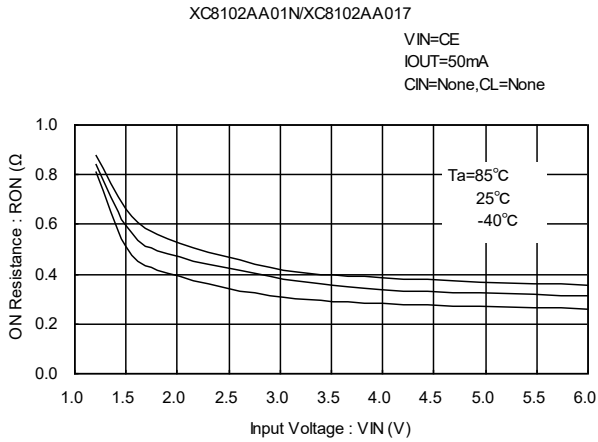


## ■ NOTES ON USE

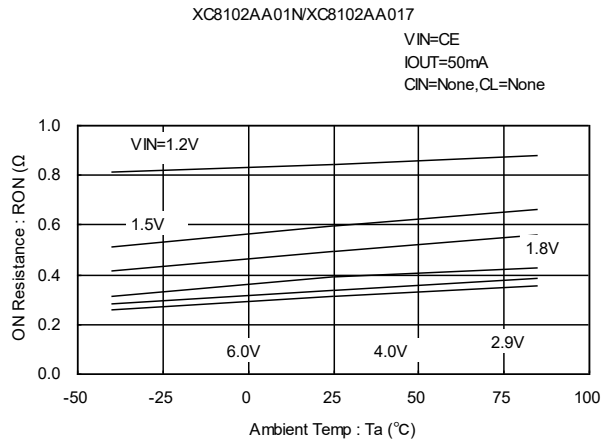
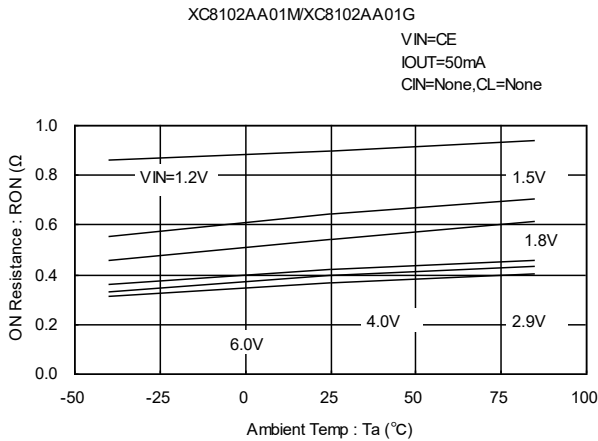
1. For temporary, transitional voltage drop or voltage rising phenomenon, the IC is liable to malfunction should the ratings be exceeded.
2. The XC8102 goes into an undefined operation when the CE pin is left open. The CE pin shall be tied to low or high level.
3.  $V_{OUT}$  pin voltage should not be applied beyond the  $V_{IN}$  pin voltage.  
The IC may get damage due to the reverse current toward the  $V_{IN}$  pin.
4. The XC8102 has constant current start-up.  
Please keep the start-up sequence to draw load current after raising the output voltage.
5. Current limit function is integrated. However, power dissipation may be beyond the limit before starting a fold-back current protection when used in high temperature.
6. Torex places an importance on improving our products and their reliability.  
We request that users incorporate fail-safe designs and post-aging protection treatment when using Torex products in their systems.

## TYPICAL PERFORMANCE CHARACTERISTICS

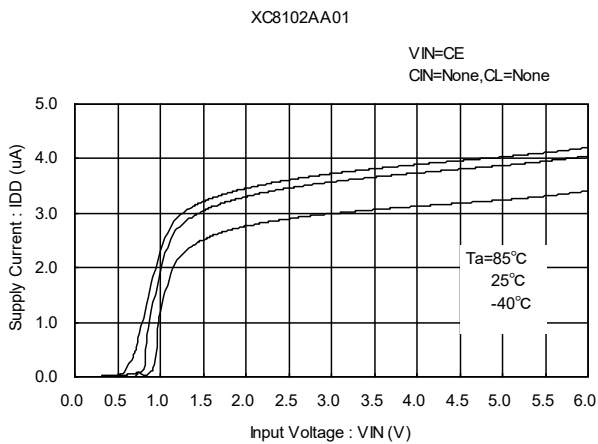
### (1) ON Resistance vs. Input Voltage



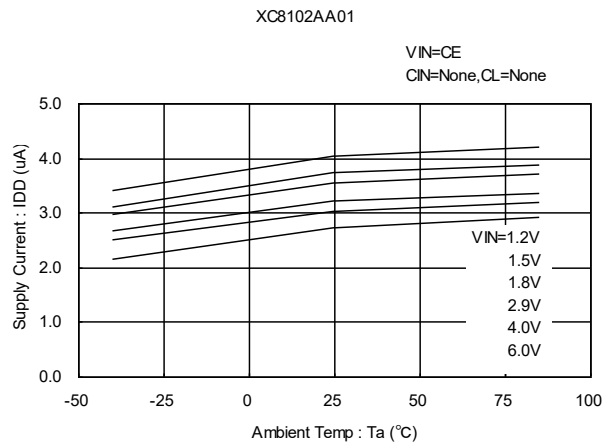
### (2) ON Resistance vs. Ambient Temperature



### (3) Supply Current vs. Input Voltage

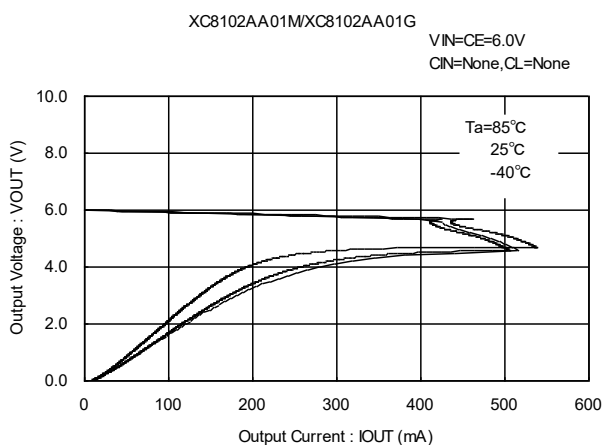
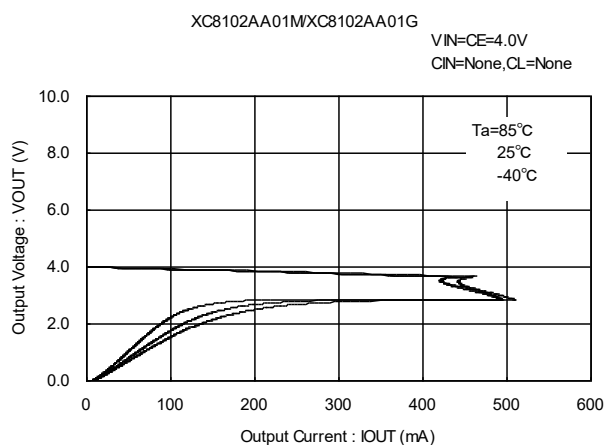
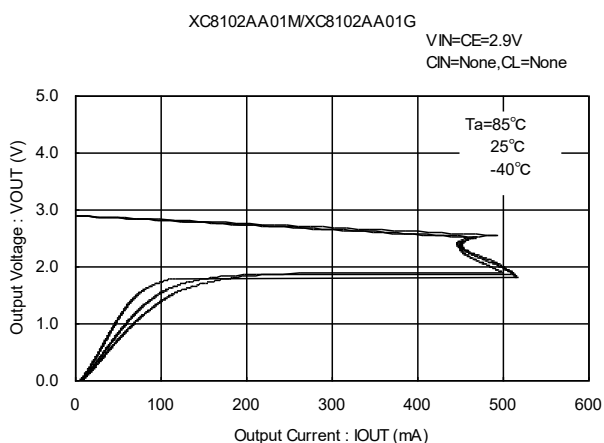
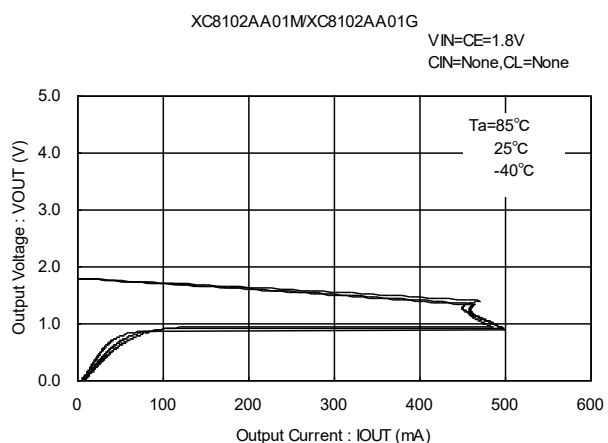
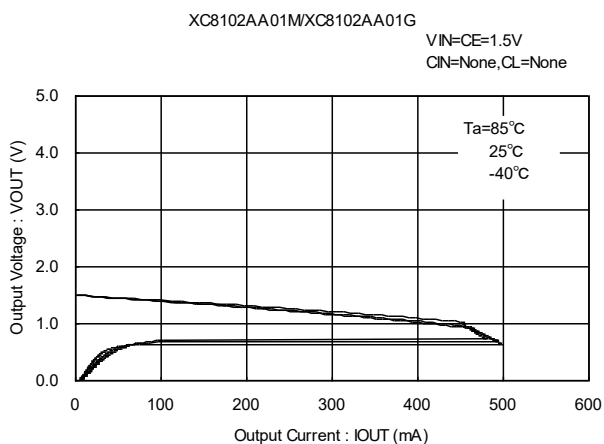
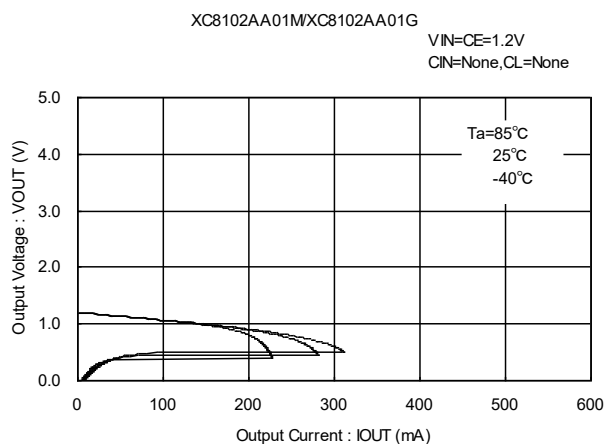


### (4) Supply Current vs. Ambient Temperature



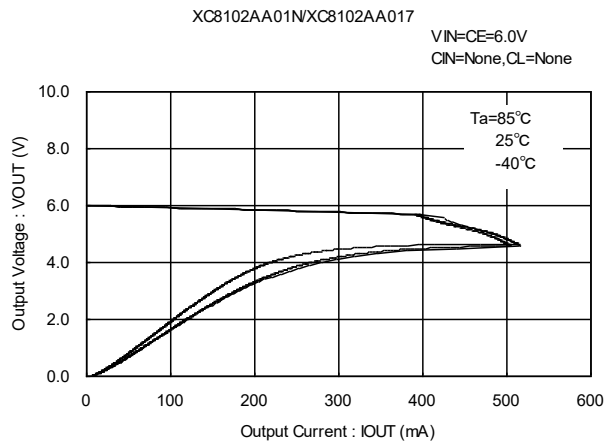
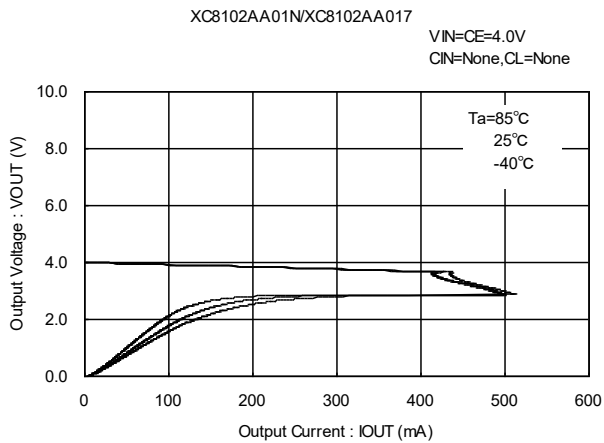
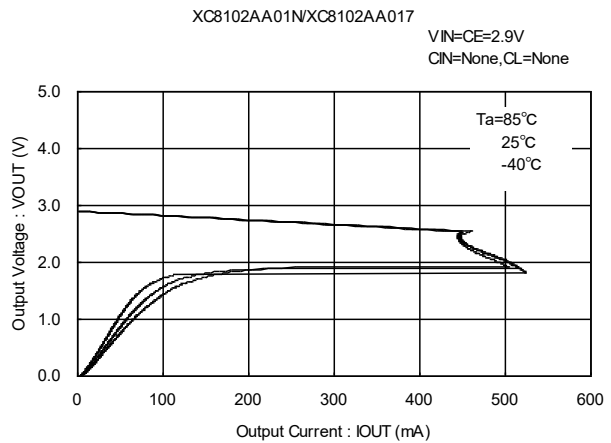
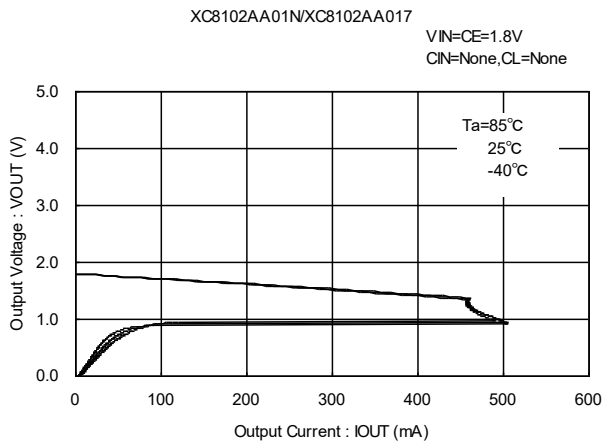
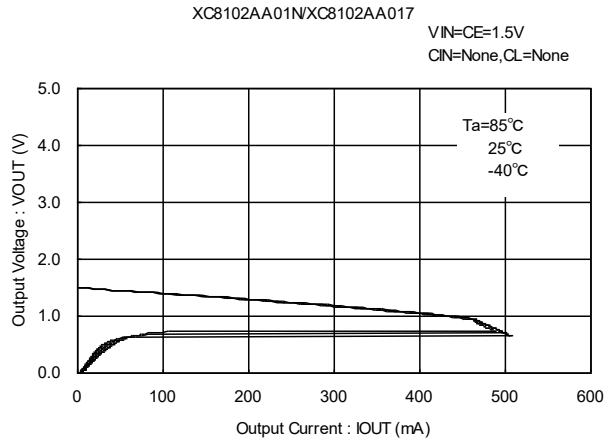
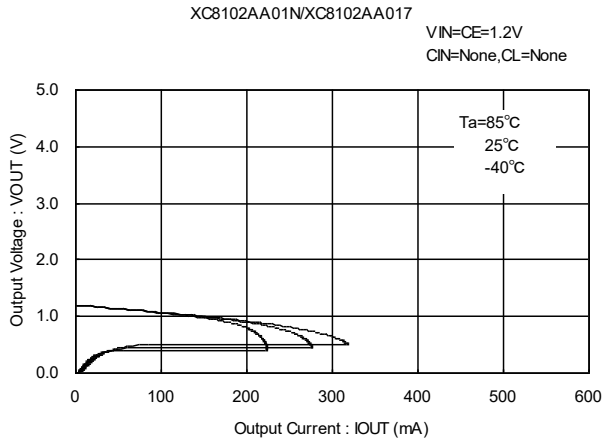
## ■ TYPICAL PERFORMANCE CHARACTERISTICS (Continued)

### (5) Output Voltage vs. Output Current



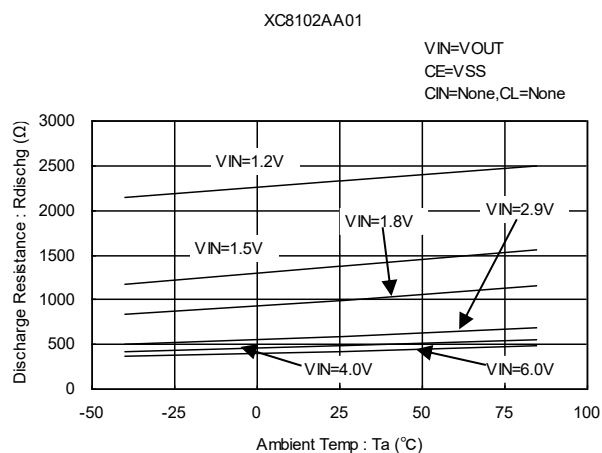
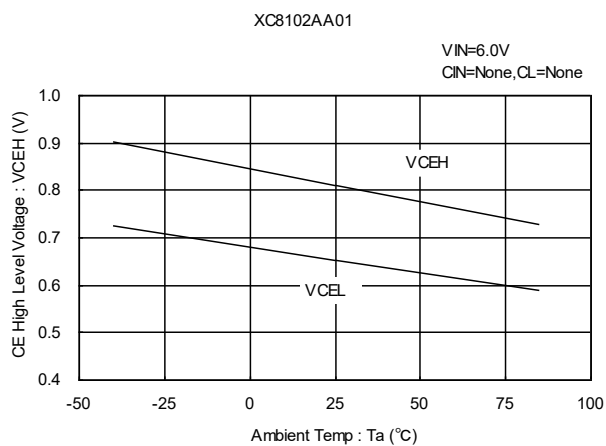
## TYPICAL PERFORMANCE CHARACTERISTICS (Continued)

### (5) Output Voltage vs. Output Current

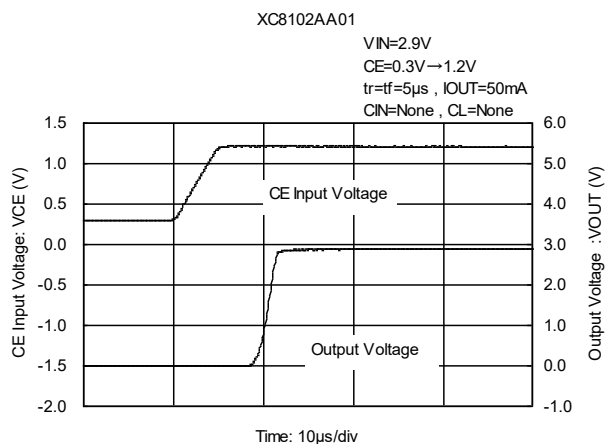
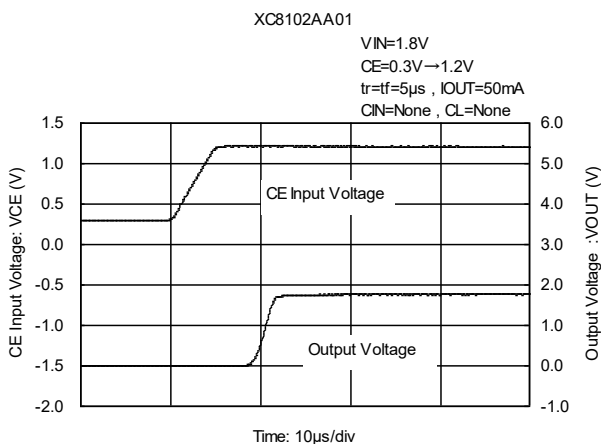
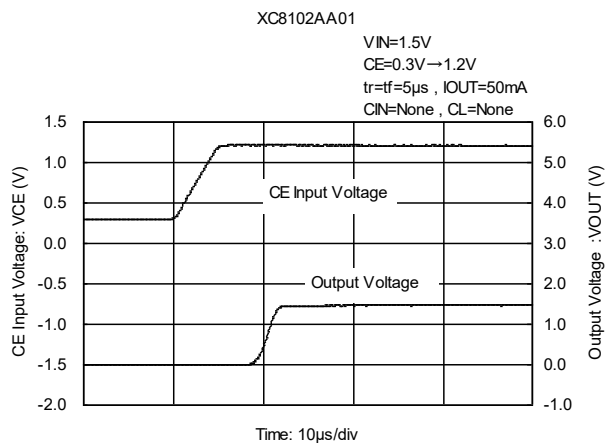
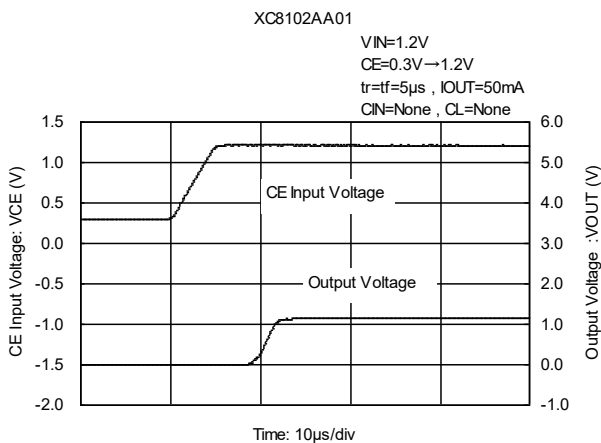


## ■ TYPICAL PERFORMANCE CHARACTERISTICS (Continued)

(6) CE Threshold Voltage vs. Ambient Temperature (7) CL Discharge Resistance vs. Ambient Temperature

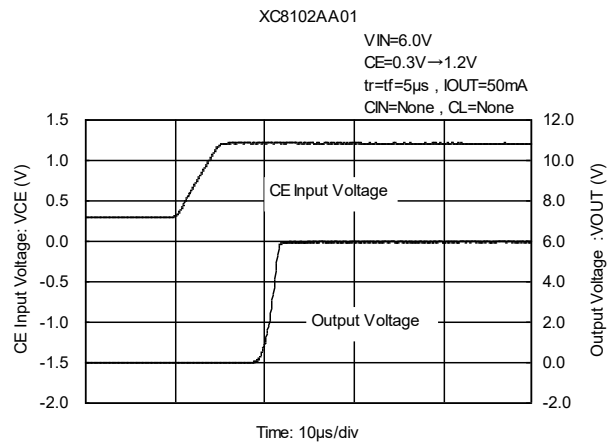
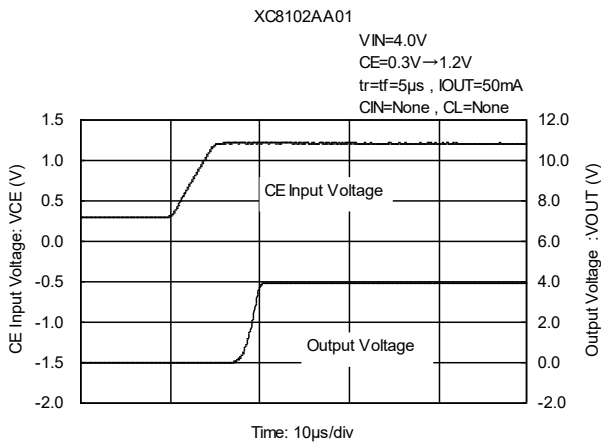


(8) Output Turn-on Time with CE

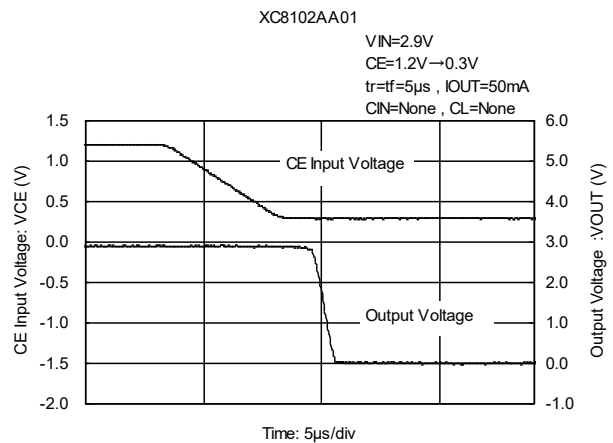
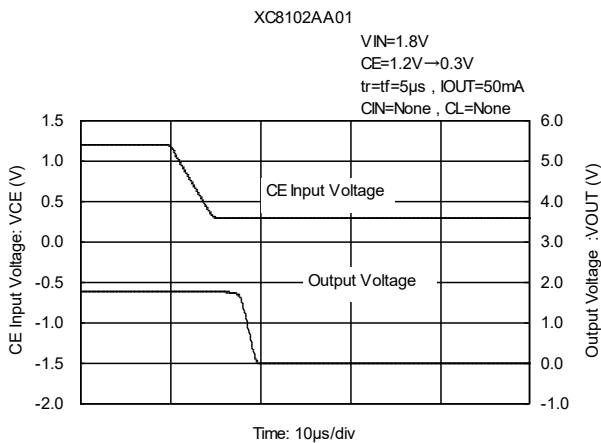
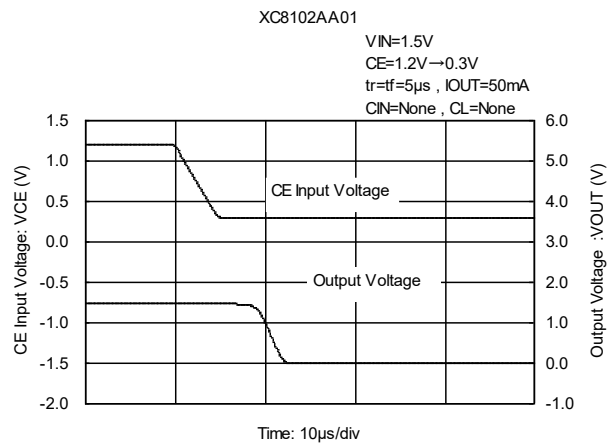
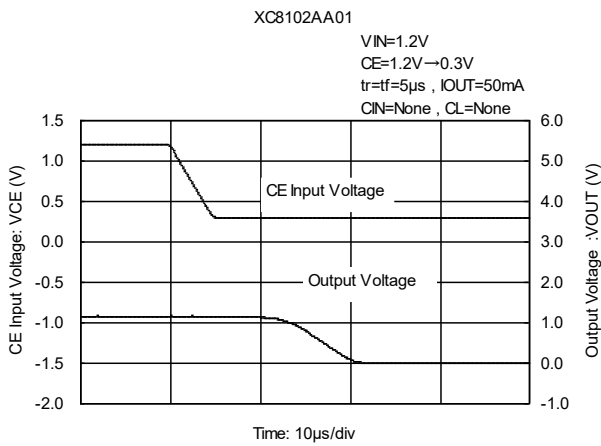


## TYPICAL PERFORMANCE CHARACTERISTICS (Continued)

### (8) Output Turn-on Time with CE (Continued)

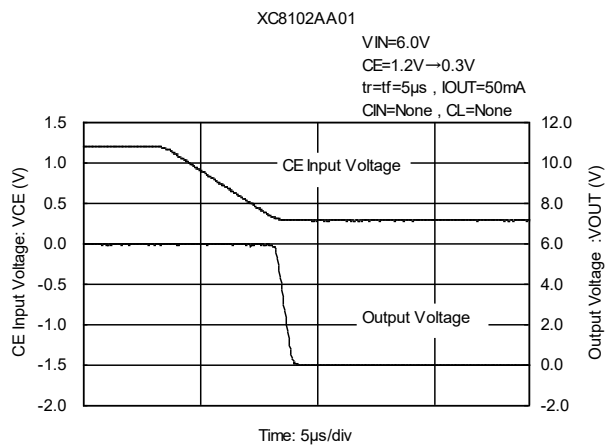
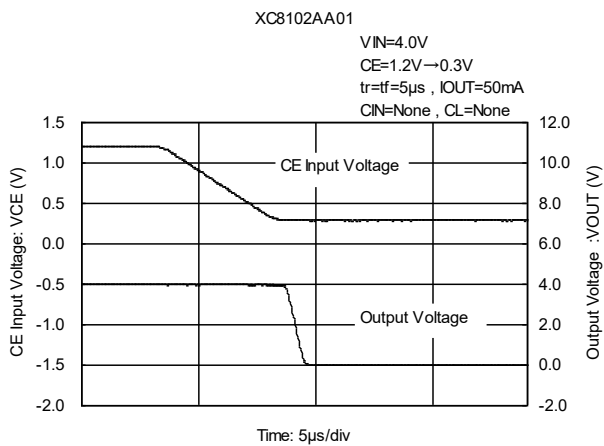


### (9) Output Turn-off Time with CE



## ■ TYPICAL PERFORMANCE CHARACTERISTICS (Continued)

### (9) Output Turn-off Time with CE (Continued)



## ■ PACKAGING INFORMATION

For the latest package information go to, [www.torexsemi.com/technical-support/packages](http://www.torexsemi.com/technical-support/packages)

PACKAGE	OUTLINE / LAND PATTERN	THERMAL CHARACTERISTICS
SOT-25	<a href="#">SOT-25 PKG</a>	<a href="#">SOT-25 Power Dissipation</a>
SSOT-24	<a href="#">SSOT-24 PKG</a>	<a href="#">SSOT-24 Power Dissipation</a>
USP-4	<a href="#">USP-4 PKG</a>	<a href="#">USP-4 Power Dissipation</a>
USPN-4	<a href="#">USPN-4 PKG</a>	<a href="#">USPN-4 Power Dissipation</a>
USP-6B06	<a href="#">USP-6B06 PKG</a>	<a href="#">USP-6B06 Power Dissipation</a>



## MARKING RULE

### ●SOT-25、USP-4、USP-6B06

① represents product series

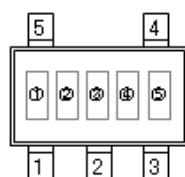
MARK	PRODUCT SERIES
C	XC8102*****

② represents CE pin logic

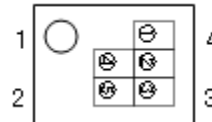
MARK	PRODUCT SERIES
F	XC8102A*****

③ represents C<sub>L</sub> Discharge Function

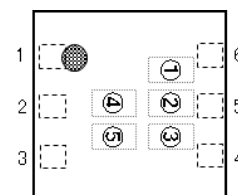
MARK	PRODUCT SERIES
C	XC8102*A*****



SOT-25  
(TOP VIEW)



USP-4  
(TOP VIEW)



USP-6B06  
(TOP VIEW)

④⑤ represents production lot number

01~09, 0A~0Z, 11~9Z, A1~A9, AA~Z9, ZA~ZZ repeated.

(G, I, J, O, Q, W excluded)

\*No character inversion used.

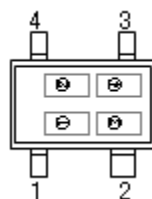
### ●SSOT-24、USPN-4

① represents product series

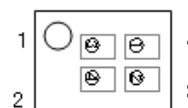
MARK	PRODUCT SERIES
C	XC8102*****

② represents CE pin logic and C<sub>L</sub> Discharge Function

MARK	PRODUCT SERIES
5	XC8102AA*****



SSOT-24  
(TOP VIEW)



USPN-4  
(TOP VIEW)

③④ represents production lot number

01~09, 0A~0Z, 11~9Z, A1~A9, AA~Z9, ZA~ZZ repeated.

(G, I, J, O, Q, W excluded)

\*No character inversion used.

1. The product and product specifications contained herein are subject to change without notice to improve performance characteristics. Consult us, or our representatives before use, to confirm that the information in this datasheet is up to date.
2. The information in this datasheet is intended to illustrate the operation and characteristics of our products. We neither make warranties or representations with respect to the accuracy or completeness of the information contained in this datasheet nor grant any license to any intellectual property rights of ours or any third party concerning with the information in this datasheet.
3. Applicable export control laws and regulations should be complied and the procedures required by such laws and regulations should also be followed, when the product or any information contained in this datasheet is exported.
4. The product is neither intended nor warranted for use in equipment of systems which require extremely high levels of quality and/or reliability and/or a malfunction or failure which may cause loss of human life, bodily injury, serious property damage including but not limited to devices or equipment used in 1) nuclear facilities, 2) aerospace industry, 3) medical facilities, 4) automobile industry and other transportation industry and 5) safety devices and safety equipment to control combustions and explosions. Do not use the product for the above use unless agreed by us in writing in advance.
5. Although we make continuous efforts to improve the quality and reliability of our products; nevertheless Semiconductors are likely to fail with a certain probability. So in order to prevent personal injury and/or property damage resulting from such failure, customers are required to incorporate adequate safety measures in their designs, such as system fail safes, redundancy and fire prevention features.
6. Our products are not designed to be Radiation-resistant.
7. Please use the product listed in this datasheet within the specified ranges.
8. We assume no responsibility for damage or loss due to abnormal use.
9. All rights reserved. No part of this datasheet may be copied or reproduced unless agreed by Torex Semiconductor Ltd in writing in advance.

TOREX SEMICONDUCTOR LTD.