



Product Highlights:

- Designed for LED lighting and signage applications
- Universal AC input (108~132VAC)
- Built-in active PFC
- Class2 power supply
- Plastic case (5VA) cooled by air convection
- Ideal for Down Light and Recessed Light application.
- Suitable for placement in standard electrical junction box
- Protections: Short circuit / Over voltage / Over Current / Over temperature
- Triac and transistor dimmer support
 - Dimming at 120Vac
 - Support majority of available dimming solutions
 - Wide dimming range from 5% up to 100%
- 5 year warranty

Compliance:

- Materials: RoHS Compliant
- Safety: UL8750, cUL
- EMI: FCC Part 15/18 Class B Compliant
- IP66 - Suitable for indoor or outdoor applications in dry, damp and wet locations
- Class A Noise Rating

Orderable Part Numbers

Constant Current Variants

Part Number	Output Current (mA)	Output Voltage Range (V)	Load Reg.	Max. Effic.	Max. Output Power (W)	Dimmable
XEL-014PAL-CX210-038-TNA01	210	25 ~ 38	±5%	80%	8.0	✓
XEL-014PAL-CX240-035-TNA01	240	25 ~ 35	±5%	80%	8.4	✓
XEL-014PAL-CX315-037-TNA01	315	25 ~ 37	±5%	80%	11.6	✓
XEL-014PAL-CX350-036-TNA01	350	25 ~ 36	±5%	80%	12.6	✓
XEL-014PAL-CX400-031-TNA01	400	21 ~ 31	±5%	80%	12.5	✓
XEL-014PAL-CX450-027-TNA01	450	20 ~ 27	±5%	80%	12.5	✓
XEL-014PAL-CX700-019-TNA01	700	9 ~ 19	±5%	80%	13.3	✓

-N instead of -T at the end of the part number would be non-dimmable variant. If the variant you need is not listed, please contact EHWZ (Sales@ehwz.com) and we can arrange for a customized solution

General Specification

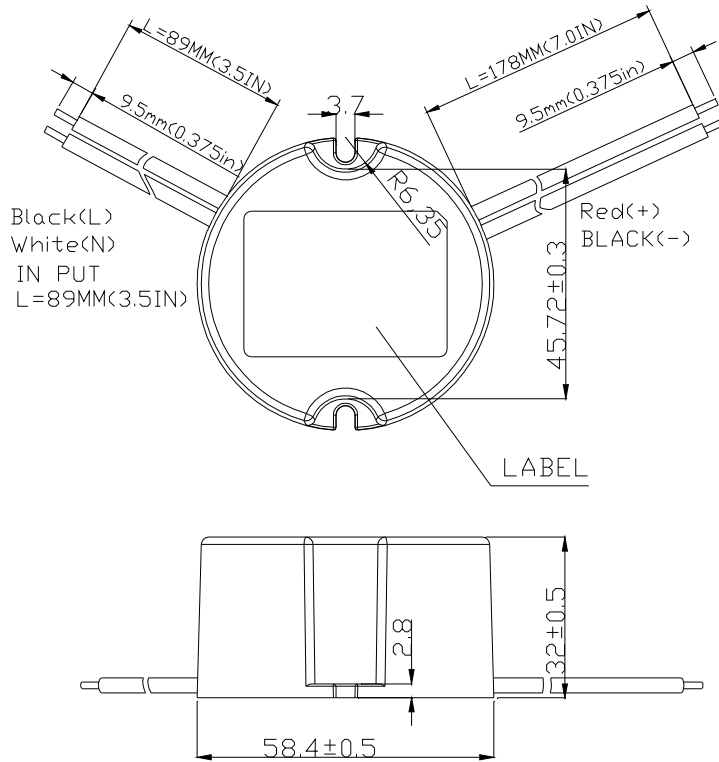
SERIES		XEL-L012B
OUTPUT	DC VOLTAGE RANGE	9 ~ 38 Vdc (see orderable parts table for details)
	RATED CURRENT RANGE	210mA ~ 700mA (see orderable parts table for details)
	RATED POWER	up to 13.3W
	LOAD REGULATION ¹	±5%
	TURN ON TIME	<0.5s
INPUT	VOLTAGE RANGE	108 ~ 132Vac
	FREQUENCY RANGE	47 ~ 63Hz
	POWER FACTOR (Typ.)	PF≥0.9 at 70% of load
	EFFICIENCY (Typ.)	≥ 80 % at full load
	AC CURRENT	0.2A @ 120Vac
	INRUSH CURRENT (with dimming state)	<900mA @ 25°C, 120VAV with dimming at full load
	LEAKAGE CURRENT	<250µA @ 120V
	THD (TOTAL HARMONIC DIST.)	<20%
DIMMING	MODES	Triac and transistor dimmer support Wide dimming range from 5% up to 100% Dimming at 120Vac
PROTECTION	SHORT CIRCUIT	Hiccup mode protection. Recovers automatically after fault condition is removed
	OVER VOLTAGE	< 30% above the maximum output voltage listed or 42V, whichever is higher
	OVER CURRENT	< 10% above the maximum output current listed for the specific part number
	OVER TEMPERATURE	Unit goes into Safety On/Off mode when Tc>90°C.
ENVIRONMENT	WORKING TEMP.	-40°C ~ + 60°C at Full Load
	WORKING HUMIDITY	5% ~ 95% RH non-condensing
	STORAGE TEMP.	-40°C ~ + 85°C
	STORAGE HUMIDITY	5% ~ 95% RH non-condensing
	IMPACT RESISTANCE	1 g/s
	VIBRATION	5-500Hz/2g, 30 minutes

SAFETY & EMC	SAFETY STANDARDS	UL8750, CSA22.2, FCC, IP66 Compliant
	EMI CONDUCTION & RADIATION	Compliance to FCC PART 15 CLASS B
	HARMONIC CURRENT	Compliance to GB4343-2003+A1, CISPR 14-1:EN61000-3-2:1995
	TRANSIENT SUPPRESSION	2.5kV (100kHz ring wave at 2.5kV common mode and differential)
OTHERS	LIFETIME	50,000 hour at full load and 60°C ambient temperature

Note 1: Load Regulation includes line regulation, load regulation and set-up tolerance

Note 2: cUL is only available for units with output voltage ranges below 42V. For units with output above 42V they will be UL only. "

Mechanical Details



Wires	Colors	Type
Input	White (Neutral)	UL1015
	Black (Line)	AWG18
Output	Red (Positive)	UL1430
	Black (Ground)	AWG18

Case	
Material	Black PC Plastic (5VA)
Unit Weight	100g
Dimensions	58.4mm (D) x 32.0mm (H)

For more detailed information about this product please contact EHWZ (sales@ehwz.com)

Xenerqi Limited

Email: Sales@ehwz.com

Website: www.ehwz.com

Phone: +1 (704) 746-9246

+ (852) 3050-9292

+ (65) 6494-8832

The information and specifications contained in this summary sheet are believed to be accurate and reliable at the time of publication, however EHWZ assumes no responsibility for damages caused due to potential errors. Also, EHWZ assumes no responsibility for the use of this product in such way that it infringes on patents or other rights of third parties. No license is granted by implication or otherwise under any patent or patent rights of EHWZ. Specifications are subject to change without notice and it is the user's responsibility to ensure they have the latest version.