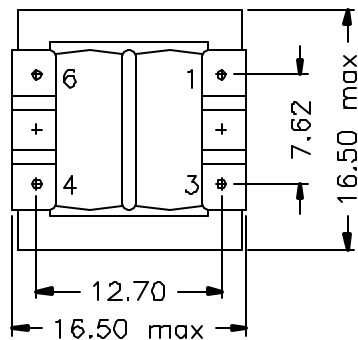
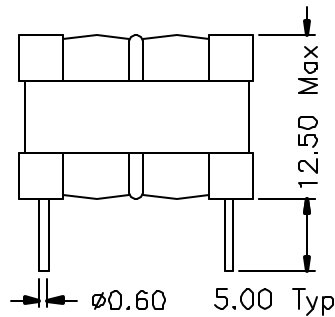
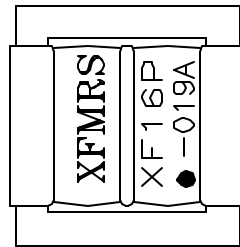
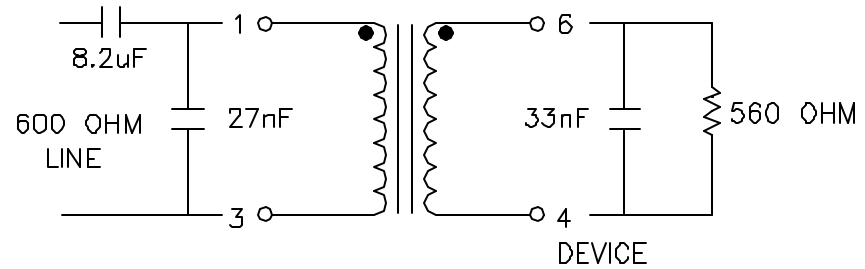


1. Mechanical Dimensions:



(BOTTOM VIEW)

2. Schematic:



3. Electrical Specifications:

IMPEDENCE: Designed to reflect 600 ohms on PRI with 560 ohms load on SEC.

TURN RATIO: 1:1 ±1% (PIN1-3 : PIN6-4).

DCR (PIN1-3): 65 ±8% OHMS.

DCR (PIN6-4): 65 ±8% OHMS.

OCL (PIN1-3) 4.8H Min. @120Hz,20mV,PARALLEL.

INSERTION LOSS: 1.15dB Typ. @1KHz,1.0V.

RETURN LOSS: 15dB Min. 300-4000Hz (REF. 600 OHMS).

FREQ. RESPONSE: ±0.20dB 300-4000Hz (REF. 1KHz).

HI-POT: 3750VAC (PIN1-6).

www.DataSheet4U.com

DOC. REV: C/1

XFMR5 Inc		Title: MODEM TRANSFORMER	
UNLESS OTHERWISE SPECIFIED		P/N: XF16P-019A	REV. C
TOLERANCES:		DWN.	李清儿 Feb-05-99
.xx ±0.20		CHK.	孙小性 Feb-05-99
Dimensions in MM		APP.	www.DataSheet4U.com
SHEET 1 OF 1		Feb-05-99	