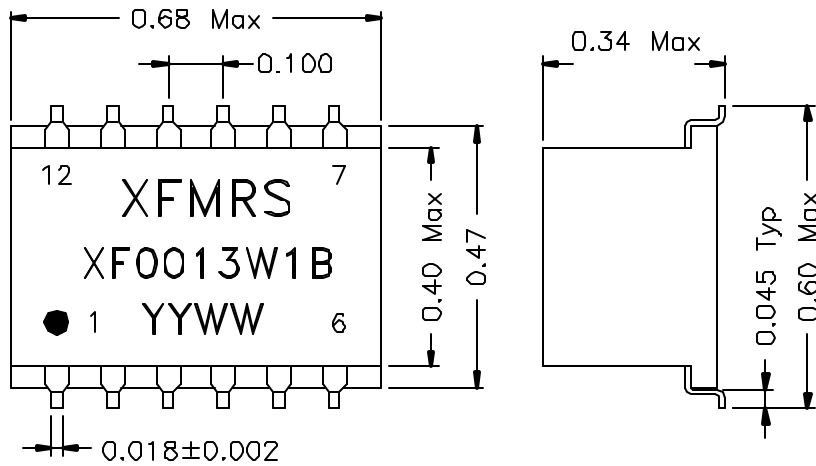
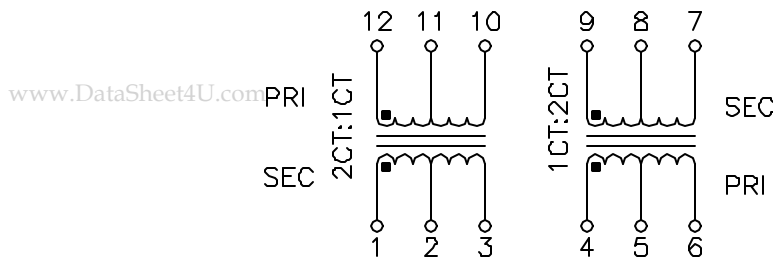


### 1. Dimensions:



### 2. Schematic:



### 3. Electrical Specifications:@25°C

Isolation Voltage. 1500 Vrms (PRI/SEC)

Turns Ratio: (P12-10):(P1-3)=1CT:2CT

(P4-6):(P9-7)=1CT:2CT

PRI OCL: 1.20mH MIN. @10KHz 0.1V

Cw/w: 50pF MAX. @100KHz, 0.1V (PRI/SEC)

PRI LL: 0.8uH MAX. @100KHz, 0.1V short SEC

PRI DC Resistance: 1.0 Ohms Max

SEC DC Resistance: 1.70 Ohms Max

DOC. REV: A/1

<b>XFMRS Inc</b> UNLESS OTHERWISE SPECIFIED TOLERANCES: .xxx ±0.010 Dimensions in Inch SHEET 1 OF 1	Title: TRANSFORMER	
	P/N: XF0013W1B	REV. A
	DWN. 廖玉坤	May-06-00
	CHK. 李清儿	May-06-00
APP. BW	www.DataSheet4U.com May-06-00	