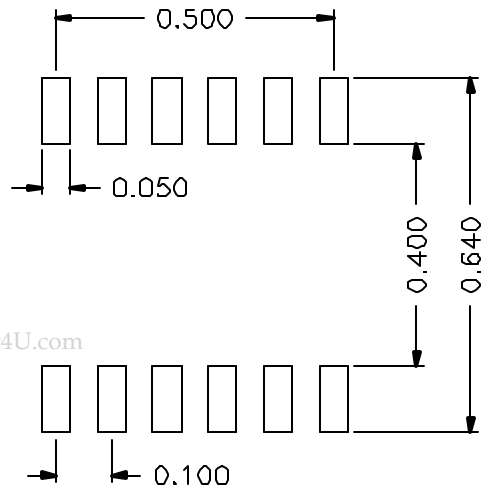
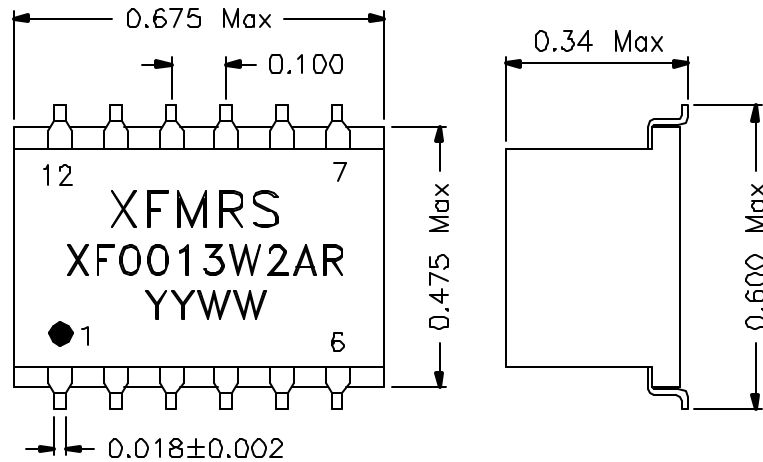


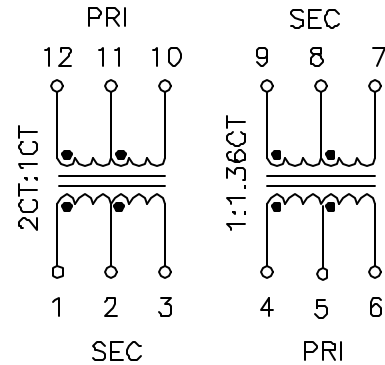
1. Dimensions:



SUGGESTED PAD LAYOUT

www.DataSheet4U.com

2. Schematic:



3. Electrical Specifications: @25°C

Isolation Voltage 3750 Vrms (PRI/SEC)
 Turns Ratio: (12-11-10):(1-2-3) = 1CT:2CT ±2%
 Turns Ratio: (4-6):(9-8-7) = 1:1.36CT ±2%
 PRI OCL: 1.20mH MIN. @100KHz 50mV
 Cw/w: 25pF Max. @100KHz 50mV
 Leakage Inductance: 0.80uH MAX. @100KHz 50mV
 PRI DC Resistance: 0.9 Ohms Max
 SEC DC Resistance: 1.90 Ohms MAX.
 Crosstalk: -60dB Typ 0.1 to 10MHz
 Operating Temp: -40 to +85°C

Note: Designed to meet the UL 1950 requirements for Reinforced Insulation with 250 working volts.

DOC. REV A/1

XFMRS Inc	Title: TRANSFORMER		
	P/N: XF0013W2AR		REV. A
UNLESS OTHERWISE SPECIFIED TOLERANCES: .xxx ±0.010 Dimensions in Inch	DWN.	BW	Jan-6-00
	CHK.	Joe Huff	Jan-6-00
SCALE 2.5:1 SHT 1 OF 1	APP.	AEI	www.DataSheet4U.com Jan-6-00