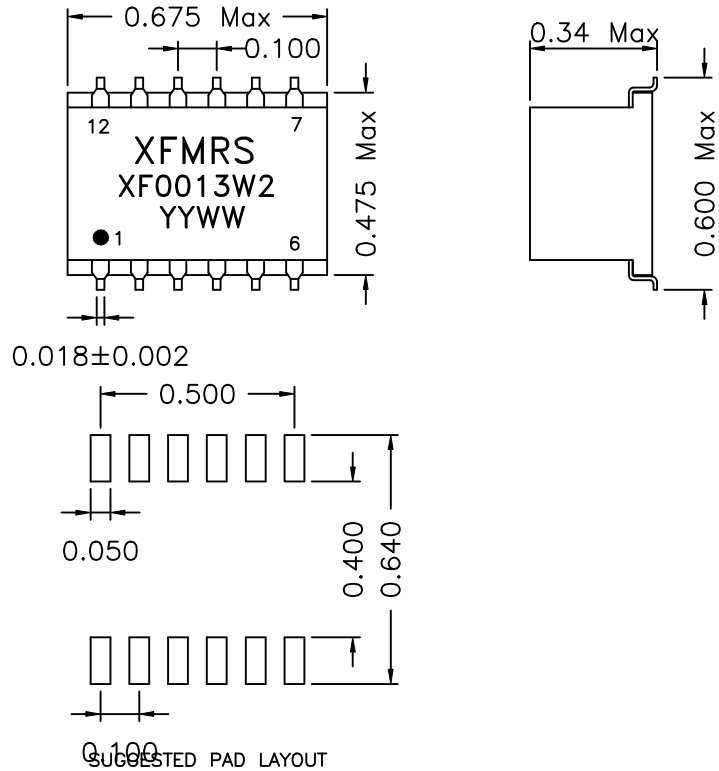


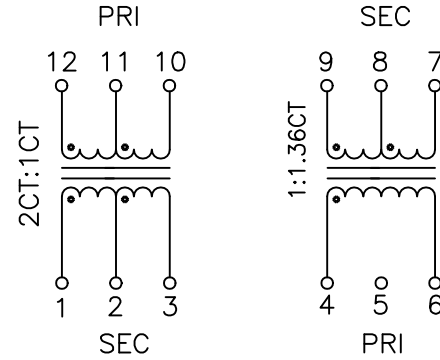
1. Dimensions:



Note:

- 1. Solderability: Leads shall meet MIL-STD-202, Method 208D for solderability.
- 2. Flammability: UL94V-0,
- 3. ASTM oxygen index: > 28% ,
- 4. Temperature rating: 155°C. UL file E151556,
- 5. Operating Temperature Range: 0°C to +70°C

2. Schematic:



3. Electrical Specifications: @25°C

- Isolation Voltage: 1500 Vrms (PRI/SEC)
- Turns Ratio: (12-11-10):(1-2-3)=1CT:2CT ±2%
- Turns Ratio: (4-6):(9-8-7)=1:1.36CT ±2%
- PRI OCL: 1.60mH Minimum @100KHz 50mV
- PIN1-2-3 / PIN12-11-10 Cw/w: 60pF Max @100KHz 50mV
- PIN4-6 / PIN9-8-7 Cw/w: 50pF Max @100KHz 50mV
- Leakage Inductance:
 - PIN12-10: 1.0uH Max @100KHz 50mV PIN1-3 Shorted
 - PIN4-6: 0.80uH Max @100KHz 50mV PIN9-7 Shorted
- PRI DC Resistance: 1.5 Ohms Maximum
- PIN1-3 DC Resistance: 2.0 Ohms Maximum
- PIN9-7 DC Resistance: 1.7 Ohms Maximum

DOC. REV A/1

XFMR5 Inc	Title: TRANSFORMERS	
	P/N: XF0013W2	REV. A
	DWN. 李小锋	May-24-01
	CHK. 廖玉坤	May-24-01
UNLESS OTHERWISE SPECIFIED TOLERANCES: .xxx ±0.010 Dimensions in Inch	APP. BW	www.DataSheet4U.com May-24-01
SHEET 1 OF 1		