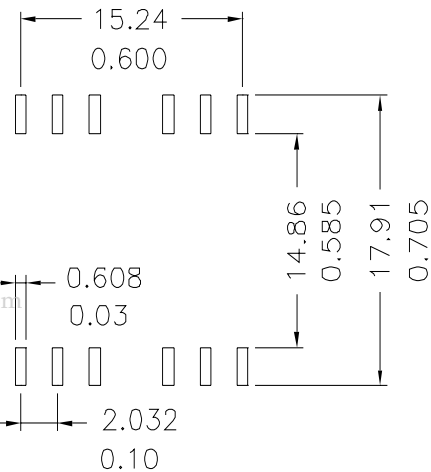
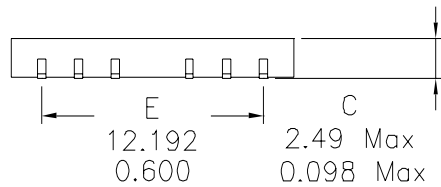
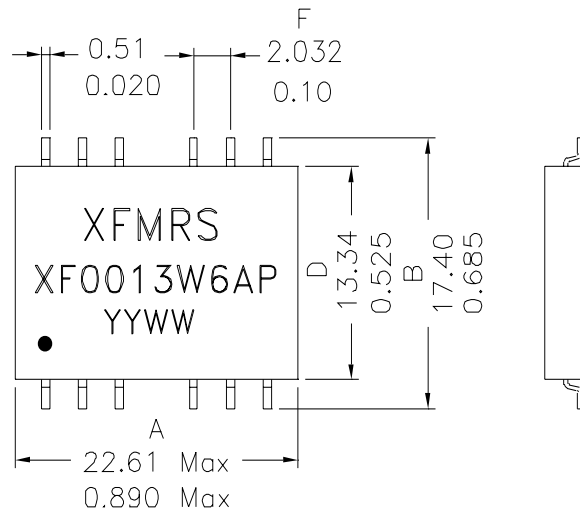
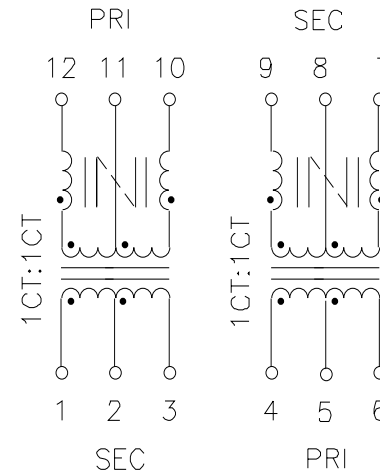


### 1. Dimensions:



SUGGESTED FOOTPRINT

### 2. Schematic:



### 3. Electrical Specifications: @25°C

Isolation Voltage: 1500 Vrms (PRI/SEC)

Turns Ratio: 1CT:1CT±2% (Pri: Sec)

PRI OCL: 1.2mH Min. @100KHz 50mV

Cw/w: PRI/SEC 35.0pF Max. @100KHz 50mV

PRI LL: 0.60uH MAX. @100KHz 50mV Sec Shorted

PRI DC Resistance: 1.60 Ohms Max

www.DataSheet4U.com

XFMRS Inc	Title: TRANSFORMER	
	P/N: XF0013W6AP	REV. A
UNLESS OTHERWISE SPECIFIED TOLERANCES: .xxx ±0.010 Dimensions in Inch	DWN.	廖玉坤 Jun-13-00
	CHK.	李涛 Jun-13-00 www.DataSheet4U.com
	APP.	Joe Huff Jun-13-00

DOC. REV A/1