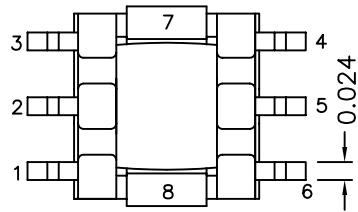
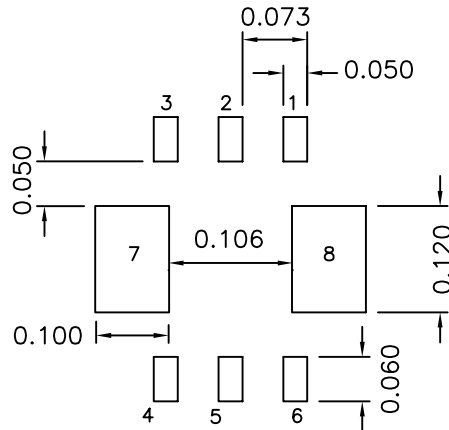


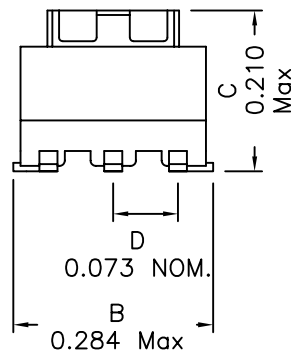
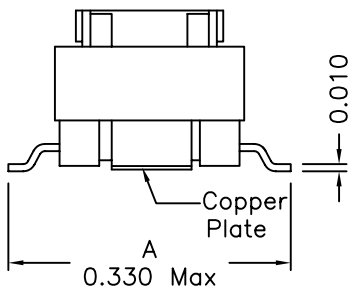
1. Mechanical Dimensions:



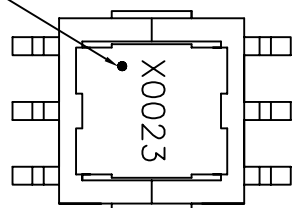
(BOTTOM VIEW)



SUGGESTED PCB LAYOUT

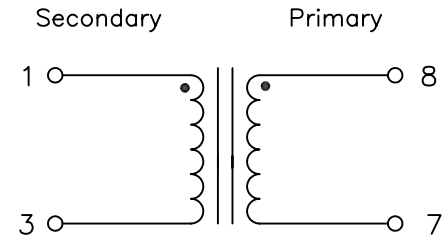


White dot for indicates Pin #1



(TOP VIEW)

2. Schematic:



3. Electrical Specifications:

OCL: Pins 1-3 1800uH Min @100KHz 0.1V

DCR: Pins 1-3 5.50 Ohms Max

Hipot: 1000Vac, Pri to Sec

Primary Rating: 20Arms @100KHz and above

Terminating Resistor: 16.67 Ohms for 1Vout

Turns Ratio: (1-3):(8-7)=100:1±5%

Notes:

- Solderability: Leads shall meet MIL-STD-202G, Method 208H for solderability.
- Flammability: UL94V-0
- ASTM oxygen index: > 28%
- Insulation System: Class F 155°C. UL file E151556
- Operating Temperature Range: All listed parameters are to be within tolerance from -40°C to +85°C
- Storage Temperature Range: -55°C to +125°C
- Aqueous wash compatible
- SMD Lead Coplanarity: ±0.004"(0.102mm)
- Electrical and mechanical specifications 100% tested
- RoHS Compliant Component

XFMRs Inc www.XFMRs.com	Model: Current Sense Xfmr		
	Unless Otherwise Specified TOLERANCES: .xxx ±0.010 Dimensions in INCH	P/N: XF0023-EE5CS	REV. A
SHEET 1 OF 1	APP.	BW	Aug-17-09

DOC REV: A/12

PROPRIETARY

Document is the property of XFMRs Group & is not allowed to be duplicated without authorization.