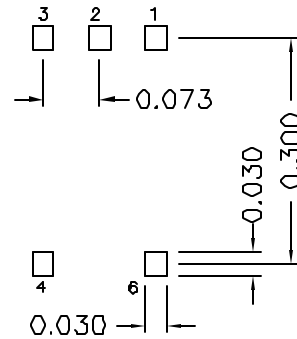
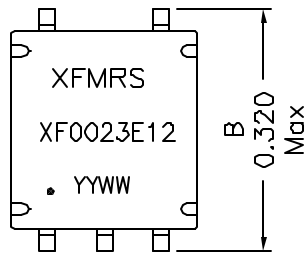
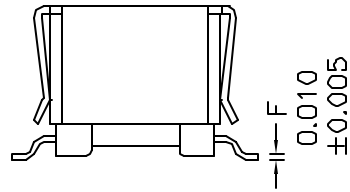
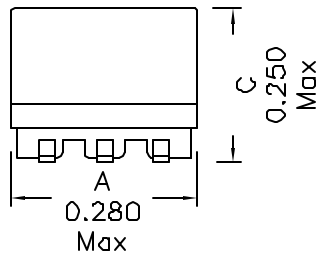
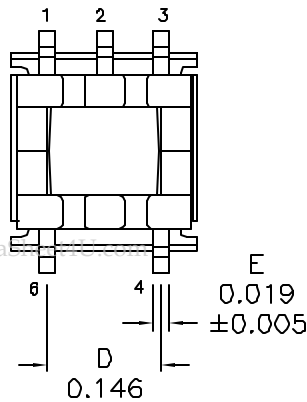


1. Mechanical Dimensions:



SUGGESTED PCB LAYOUT

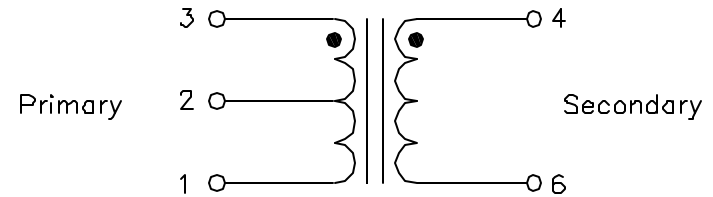


BOTTOM VIEW

Notes:

- Solderability: Leads shall meet MIL-STD-202G, Method 208H for solderability.
- Flammability: UL94V-0
- ASTM oxygen index: > 28%
- Insulation System: Class F 155°C, UL file E151556
- Operating Temperature Range: All listed parameters are to be within tolerance from -40°C to +85°C
- Storage Temperature Range: -55°C to +125°C
- Aqueous wash compatible
- SMD Lead Coplanarity: ±0.004*(0.102mm)
- Electrical and mechanical specifications 100% tested
- RoHS Compliant Component

2. Schematic:



3. Electrical Specifications:

OCL: Pins 3-1 2.15mH Min 10KHz, 0.1V

Leakage L: Pins 3-1 1.2uH Max 100KHz, 0.1V (short 4-6)

Cw/w: Pins 3-4 50pF Max 100KHz, 0.1V

DC Res.: Pins 3-2 1.06 Ohms Max

Pins 2-1 1.19 Ohms Max

Pins 4-6 1.12 Ohms Max

Long. Bal.: 35dB Min @1.544MHz

Return Loss: 18db Min @50K-3.072MHz

Operating Temp.: -40 to +85°C

Isolation: 1500Vac

Turns Ratio: (3-1):(4-6) 2CT:1±1%

XFMR5 Inc www.XFMR5.com		Title: T1/E1/ISDN-Pri xfmr	
UNLESS OTHERWISE SPECIFIED TOLERANCES: .xx ±0.010 Dimensions in Inches		P/N: XF0023E12	REV A
		DWN. Juan Mao	Oct-13-07
Scale 2.5:1 SHT 1 OF 1		CHK. YK Liao	Oct-13-07
		APP. Joe Huff	Oct-13-07

DOC. REV: A/5

PROPRIETARY Document is the property of XFMR5 Group & is not allowed to be duplicated without authorization.

www.DataSheet4U.com