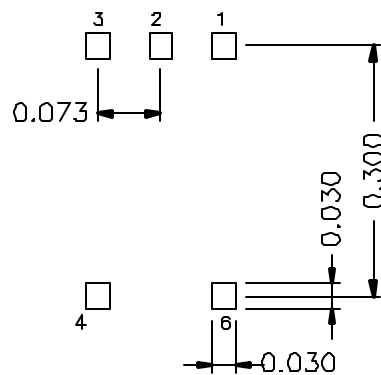
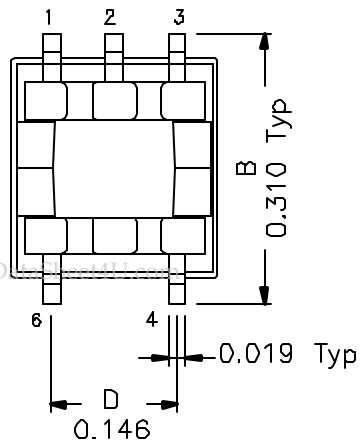
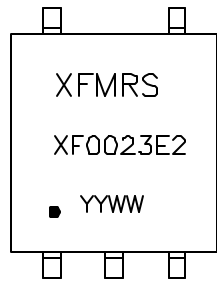
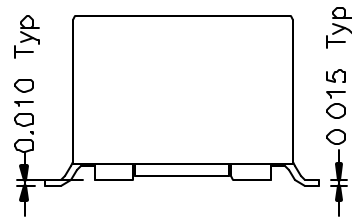
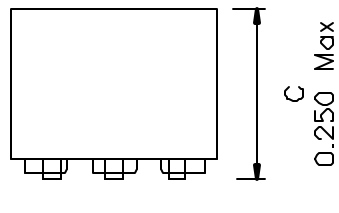


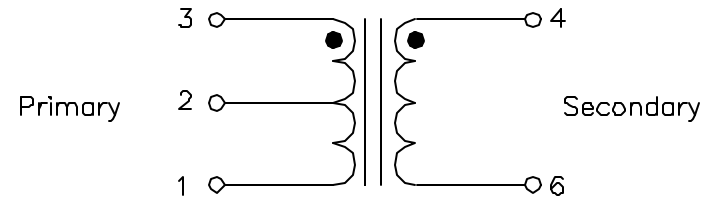
Dimensions:



SUGGESTED PCB LAYOUT

BOTTOM VIEW

Schematic:



Electrical Specifications:

OCL: Pins 3-1 2.2mH Min 10KHz, 0.1V

Leakage L: Pins 3-1 1.3uH Max 100KHz, 0.1V

Short 4-6

Cw/w: Pins 3-4 50pF Typical 100KHz, 0.1V

DC Res.: Pins 3-1 2.8 Ohms Max

DC Res.: Pins 4-6 2.5 Ohms Max

Isolation: 1500Vac

Turns Ratio: (3-1):(4-6) 1.14CT:1±1%

XFMRs Inc		Title: T1/E1/ISDN-Pri xfmr	
UNLESS OTHERWISE SPECIFIED TOLERANCES:		P/N: XF0023E2	REV A
.xx ±0.010		DWN.	BW Feb-07-00
Dimensions in Inches		CHK.	AEI Feb-07-00
Scale 2.5:1 SHT 1 OF 1		APP.	Joe Huff Feb-07-00

DOC. REV: A/2