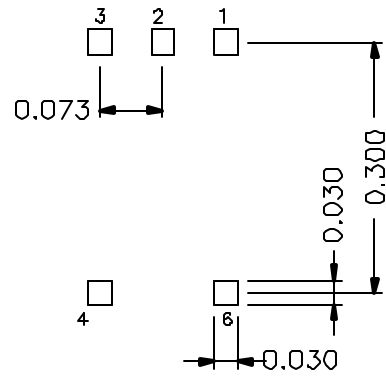
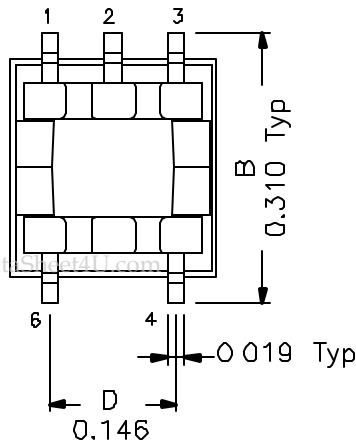
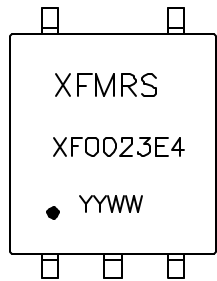
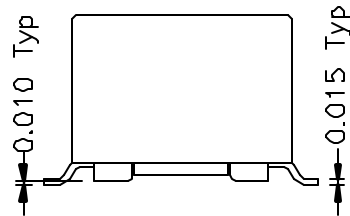
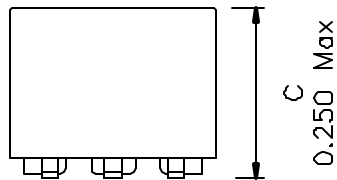


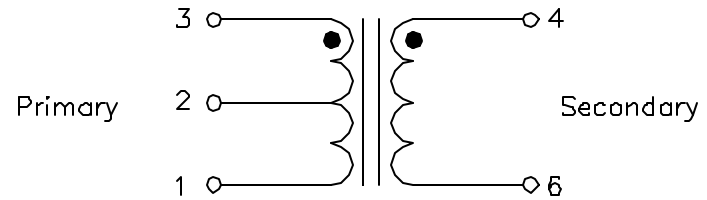
Dimensions:



SUGGESTED PCB LAYOUT

BOTTOM VIEW

Schematic:



Electrical Specifications:

OCL: Pins 3-1 2.0mH Min 10KHz, 0.1V

Leakage L: Pins 3-1 1.0uH Max 100KHz, 0.1V

Short 4-6

Cw/w: Pins 3-4 50pF Typical 100KHz, 0.1V

DC Res.: Pins 3-1 2.7 Ohms Max

DC Res.: Pins 4-6 1.9 Ohms Max

Isolation: 1500Vac

Turns Ratio: (3-1):(4-6) 1.35CT:1±1%

DOC. REV: A/2

XFMRS Inc		Title: T1/E1/ISDN-Pri xfmr	
UNLESS OTHERWISE SPECIFIED TOLERANCES: .xx ±0.010 Dimensions in Inches		P/N: XF0023E4	REV A
		DWN.	BW
		CHK.	AEI
		APP.	Joe Huff
Scale 2.5:1 SHT 1 OF 1		www.DataSheet4U.com Feb-07-00	