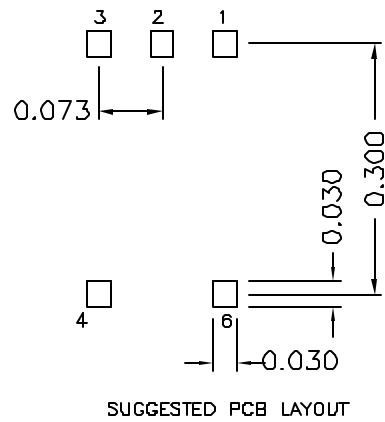
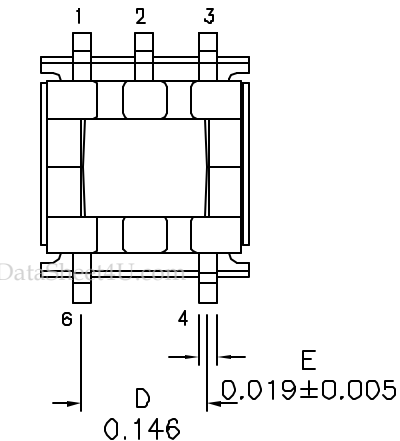
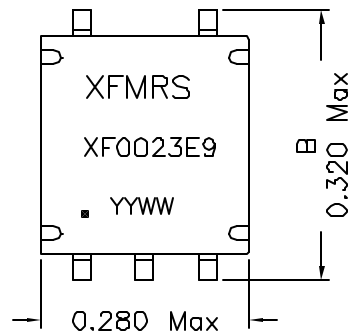
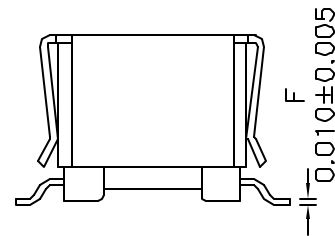
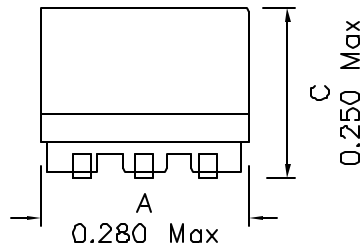
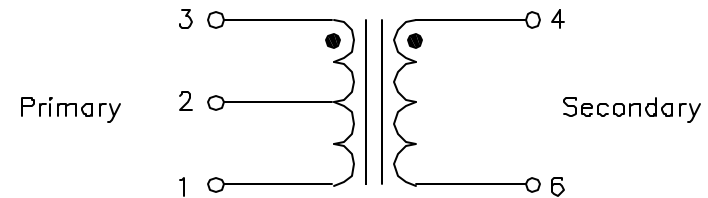


Dimensions:



Schematic:



Electrical Specifications:

OCL: Pins 3-1 2.3mH Min 10KHz, 0.1V
Leakage L: Pins 3-1 3.7uH Max 100KHz, 0.1V
Short 4-6

Cw/w: Pins 3-4 50pF Max 100KHz, 0.1V

DC Res.: Pins 3-1 2.07 Ohms Max
Pins 4-6 0.85 Ohms Max

Turns Ratio: Pins (3-1):(4-6)= 2.42:1±3%

Long. Bal.: 35dB Min @1.544MHz

Return Loss: 15db Typ @50K-3.1MHz

Isolation: 1500Vac

Notes:

1. Solderability: Leads shall meet MIL-STD-202G, Method 208B for solderability.
2. Flammability: UL94V-0
3. ASTM oxygen index > 28%
4. Insulation System: Class F 155°C. UL file E15155B
5. Operating Temperature Range: All listed parameters are to be within tolerance from -40°C to +85°C
6. Storage Temperature Range: -55°C to +125°C
7. Aqueous wash compatible
8. SMD Lead Coplanarity: ±0.004" (0.102mm)
9. Electrical and mechanical specifications 100% tested
10. RoHS Compliant Component

| | | |
|---|-------------------------------|----------------------------------|
| XFMRS Inc www.XFMRS.com | Title: T1/E1/ISDN-Pri xfmr | |
| UNLESS OTHERWISE SPECIFIED TOLERANCES: .xx ±0.010 Dimensions in Inches | P/N: XFO023E9 | REV A |
| | DWN. 李小锋 | Dec-04-07 |
| Scale 2.5:1 SHT 1 OF 1 | CHK. 廖玉坤 | Dec-04-07 |
| | APP. MS | www.DataSheet4U.com Dec-04-07 |

DOC. REV: A/B

PROPRIETARY Document is the property of XFMRS Group & is not allowed to be duplicated without authorization.