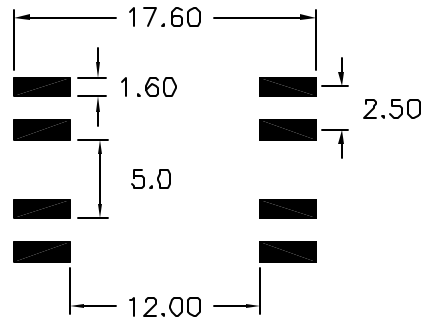
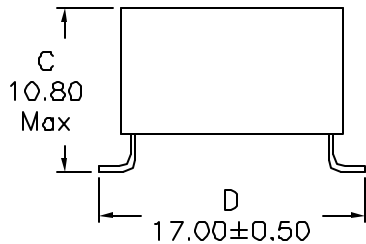
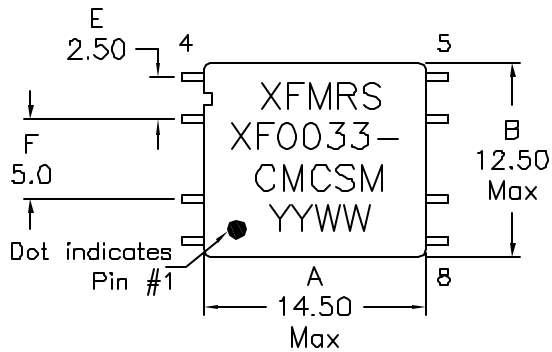
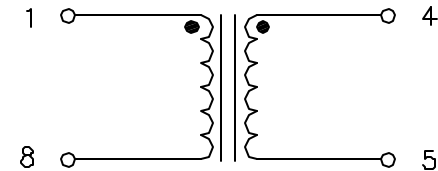


1. Mechanical Dimensions:



2. Schematic:



3. Electrical Specifications: @25°C

DCL: 3.0mH+50/-30% @10KHz 0.1V, Each Wdg
0.5mH Min @10KHz 0.1V, Each Wdg -40°C

DCR: 0.230 Ohms Max, Each Wdg

Rated Current: 1A

Turns Ratio: Pins (1-8):(4-5)=1:1±5%

Isolation: 1500Vac, Wdg to Wdg, 2Sec

Rated Voltage: 250VAC

Notes:

- Solderability: Leads shall meet MIL-STD-202G, Method 208H for solderability.
- Flammability: UL94V-0
- ASTM oxygen Index: > 28%
- Insulation System: Class F 155°C. UL file E151556
- All listed parameters are to be within tolerance from -40C to +85C unless otherwise noted.
- Storage Temperature Range: -55°C to +125°C
- Aqueous wash compatible
- SMD Lead Coplanarity: ±0.004" (0.102mm)
- Electrical and mechanical specifications 100% tested
- RoHS Compliant Component
- 250°C IR Reflow Capable

www.DataSheet4U.com

DOC REV: B/2

PROPRIETARY Document is the property of XFMRS Group & is not allowed to be duplicated without authorization.

XFMRS Inc www.XFMRS.com		Title: CMC	
UNLESS OTHERWISE SPECIFIED TOLERANCES: .xx ±0.25	P/N: XF0033-CMCSM		REV. B
	DWN.	Juan Mao	May-22-08
Dimensions in MM	CHK.	YK Liao	May-22-08
SHEET 1 OF 1	APP.	Joe Huff	May-22-08

www.DataSheet4U.com