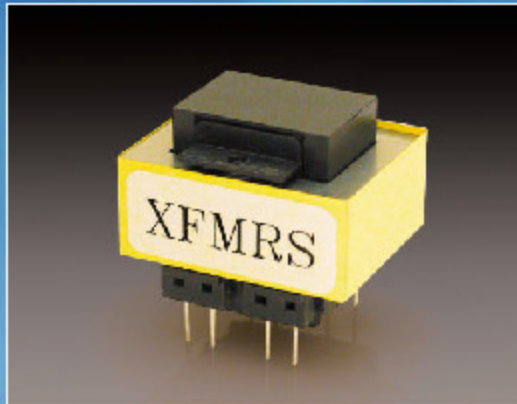


**YOUR SUCCESS IS OUR GOAL...**  
**CHECK IT OUT!**

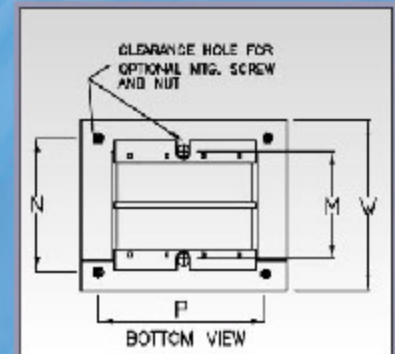
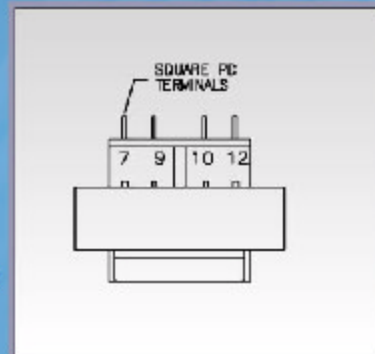
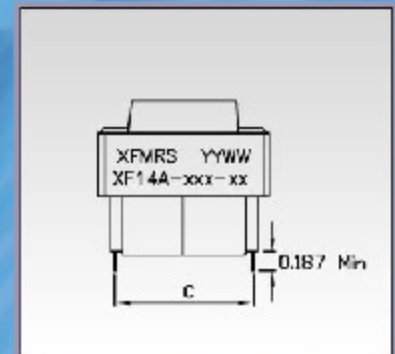
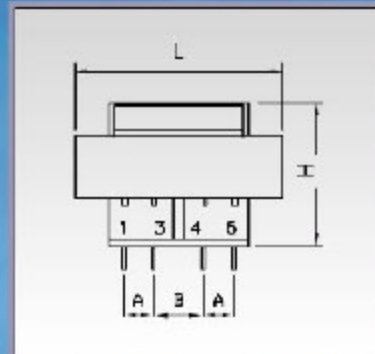
[www.xfmrs.com](http://www.xfmrs.com)

**XFMRs**  
[www.DataSheet4U.com](http://www.DataSheet4U.com)

## XF14A SERIES TRANSFORMERS



### MECHANICAL DIMENSIONS:



### GENERAL SPECS:

- Power Range: 2.5 to 56VA
- Isolation: 4000Vac
- Input: 115/230V Dual
- Output: Series, Parallel or Dual
- Construction: Split bobbin
- Insulation System: Class F 155°C
- Mounting Hardware: See Chart
- Flammability: UL94V-0
- Custom versions available - consult factory

### AGENCY STANDARDS:

- CUL Recognition Pending
- VDE Recognition Pending

TOLERANCES: .xxx ± 0.25 & 0.001 Dimensions in MM & INCH

VA	Dimensions						Sq. Pin	Mtg. Dim	Mtg. Screw		Wgt
Size	L	W	H	A	B	C	Dimensions	M	Size	Qty	
2.5	1.62"	1.43"	1.12"	0.200"	0.250"	1.000"	0.025"	1.06"	#4	2	0.25lbs 0.113Kg
	41.3	36.5	28.6	5.08	6.35	25.4	0.635	26.9			
5.0	1.62"	1.43"	1.37"	0.200"	0.400"	1.000"	0.025"	1.06"	#4	2	0.37lbs 0.168Kg
	41.3	36.5	34.9	5.08	10.16	25.4	0.635	26.9			
10.0	1.87"	1.56"	1.37"	0.200"	0.400"	1.140"	0.038"	1.25"	#4	2	0.53lbs 0.240Kg
	47.6	39.7	34.9	5.08	10.16	29.0	0.965	31.7			

VA	Dimensions						Sq. Pin	Mtg. Dim			Mtg. Screw		Wgt
Size	L	W	H	A	B	C	Dimensions	M	N	P	Size	Qty	
20	2.25"	1.87"	1.62"	0.400"	0.400"	1.460"	0.038"	1.50"	-	-	#4	2	0.90lbs 0.41Kg
	57.2	47.6	41.3	10.2	10.2	37.1	0.97	38.1	-	-			
30	2.62"	2.18"	1.56"	0.550"	0.275"	1.680"	0.045"	-	1.75"	2.18"	#6	4	1.15lbs 0.25Kg
	66.7	55.5	39.7	13.9	7.0	42.7	1.14	-	44.4	55.5			
56	3.00"	2.50"	1.81"	0.600"	0.300"	1.900"	0.045"	-	2.00"	2.50"	#6	4	1.70lbs 0.77Kg
	76.2	63.5	46.0	15.2	7.6	48.3	1.14	-	50.8	63.5			

**XFMRs**

XFMRs, INC. 7570 E. Landersdale Road Camby, Indiana 46113 USA Tel: (317) 834-1066 Fax: (317) 834-1067



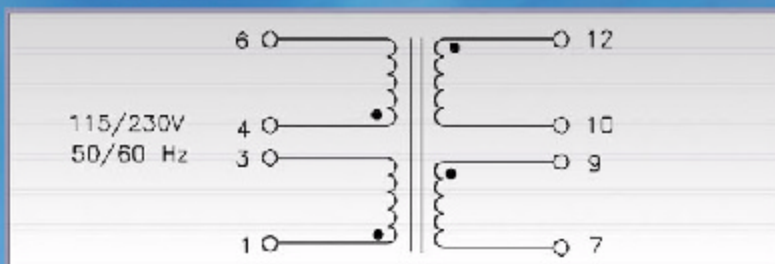
**YOUR SUCCESS IS OUR GOAL...**  
CHECK IT OUT!

[www.xfmrs.com](http://www.xfmrs.com)

**XFMRs**  
www.DataSheet4U.com

## XF14A SERIES TRANSFORMERS

### SCHEMATIC:



### Electrical Specifications:

Part Number	VA. (Size)	Secondary RMS Rating	
		Series	Parallel
XF14A-2.5R-10	2.5	10VCT@0.25A	5V@0.50A
XF14A-5.0R-10	5.0	10VCT@0.50A	5V@1.00A
XF14A-10R-10	10.0	10VCT@1.00A	5V@2.00A
XF14A-20-10	20	10VCT@2.00A	5V@4.00A
XF14A-30-10	30	10VCT@3.00A	5V@6.00A
XF14A-56-10	56	10VCT@5.6A	5V@11.2A
XF14A-2.5R-12	2.5	12.6VCT@0.20A	6.3V@0.40A
XF14A-5.0R-12	5.0	12.6VCT@0.40A	6.3V@0.80A
XF14A-10R-12	10.0	12.6VCT@0.80A	6.3V@1.60A
XF14A-20-12	20	12.6VCT@1.6A	6.3V@3.2A
XF14A-30-12	30	12.6VCT@2.4A	6.3V@4.8A
XF14A-56-12	56	12.6VCT@4.4A	6.3V@8.8A
XF14A-2.5R-16	2.5	16VCT@0.15A	8V@0.30A
XF14A-5.0R-16	5.0	16VCT@0.31A	8V@0.62A
XF14A-10R-16	10.0	16VCT@0.62A	8V@1.25A
XF14A-20-16	20	16VCT@1.25A	8V@2.5A
XF14A-30-16	30	16VCT@1.9A	8V@3.8A
XF14A-56-16	56	16VCT@3.5A	8V@7.0A
XF14A-2.5R-20	2.5	20VCT@0.12A	10V@0.24A
XF14A-5.0R-20	5.0	20VCT@0.25A	10V@0.50A
XF14A-10R-20	10.0	20VCT@0.50A	10V@1.00A

Part Number	VA. (Size)	Secondary RMS Rating	
		Series	Parallel
XF14A-20-20	20	20VCT@1.0A	10V@2.0A
XF14A-30-20	30	20VCT@1.5A	10V@3.0A
XF14A-56-20	56	20VCT@2.8A	10V@5.6A
XF14A-2.5R-24	2.5	24VCT@0.10A	12V@0.20A
XF14A-5.0R-24	5.0	24VCT@0.21A	12V@0.42A
XF14A-10R-24	10.0	24VCT@0.42A	12V@0.84A
XF14A-20-24	20	24VCT@0.83A	12V@1.66A
XF14A-30-24	30	24VCT@1.25A	12V@2.50A
XF14A-56-24	56	24VCT@2.33A	12V@4.66A
XF14A-2.5R-28	2.5	28VCT@0.09A	14V@0.18A
XF14A-5.0R-28	5.0	28VCT@0.18A	14V@0.36A
XF14A-10R-28	10.0	28VCT@0.36A	14V@0.72A
XF14A-20-28	20	28VCT@0.72A	14V@1.44A
XF14A-30-28	30	28VCT@1.06A	14V@2.12A
XF14A-56-28	56	28VCT@2.00A	14V@4.0A
XF14A-2.5R-36	2.5	36VCT@0.07A	18V@0.14A
XF14A-5.0R-36	5.0	36VCT@0.14A	18V@0.28A
XF14A-10R-36	10.0	36VCT@0.28A	18V@0.56A
XF14A-20-36	20	36VCT@0.56A	18V@1.12A
XF14A-30-36	30	36VCT@0.82A	18V@1.64A
XF14A-56-36	56	36VCT@1.56A	18V@3.12A

Note: For dual output, use parallel voltage and series current ratings for each Secondary.

**XFMRs**

XFMRs, INC. 7570 E. Landersdale Road Camby, Indiana 46113 USA Tel: (317) 834-1066 Fax: (317) 834-1067

[www.DataSheet4U.com](http://www.DataSheet4U.com)