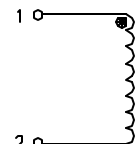


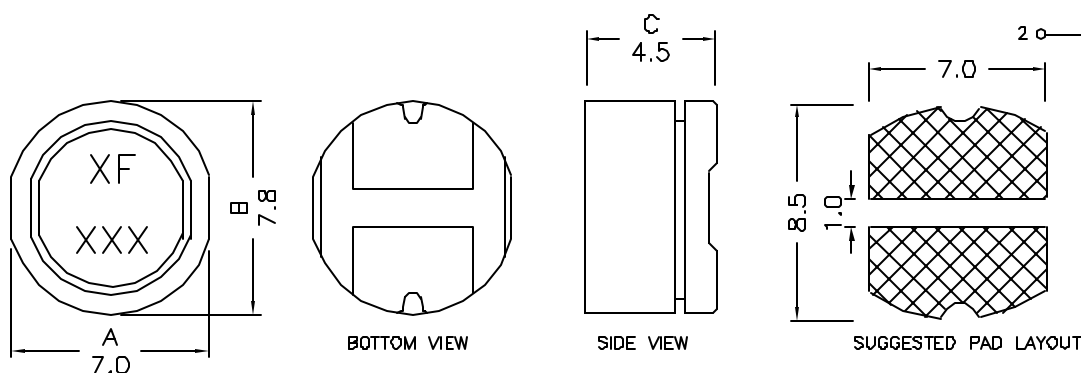
XFSDR74SH SERIES INDUCTORS

- * LOW PROFILE SMD TYPE FOR HIGH CURRENT APPLICATION
- * TAPE AND REEL PACKAGING FOR HIGH VOLUME MANUFACTURING
750 PCS PER 13" REEL
- * FOR DC/DC CONVERTERS, DC/AC INVERTERS, VRM APPLICATIONS
- * TEMP. RISE; 30°C TYPICAL ABOVE 60°C AMBIENT
- * OPERATING TEMP.: -20°C TO +90°C

Schematic:



Mechanical Dimensions:



TOP VIEW

UNLESS OTHERWISE SPECIFIED
 TOLERANCES:
 .xx ±0.30
 Dimensions in MM

Part Number	INDUCTANCE uH (±20%)	Test Frequency (Hz)	Resistance DCR Ohm Max	Rated Current IDC Max (A)	Marking
XFSDR74SH-100	10.0	1K	0.084	1.65	100
XFSDR74SH-120	12.0	1K	0.084	1.57	120
XFSDR74SH-150	15.0	1K	0.096	1.39	150
XFSDR74SH-180	18.0	1K	0.120	1.29	180
XFSDR74SH-220	22.0	1K	0.156	1.12	220
XFSDR74SH-270	27.0	1K	0.192	1.06	270
XFSDR74SH-330	33.0	1K	0.216	0.97	330
XFSDR74SH-390	39.0	1K	0.216	0.91	390
XFSDR74SH-470	47.0	1K	0.324	0.80	470
XFSDR74SH-560	56.0	1K	0.348	0.76	560
XFSDR74SH-680	68.0	1K	0.396	0.68	680
XFSDR74SH-820	82.0	1K	0.516	0.62	820
XFSDR74SH-101	100	1K	0.588	0.55	101
XFSDR74SH-121	120	1K	0.816	0.49	121
XFSDR74SH-151	150	1K	1.128	0.44	151
XFSDR74SH-181	180	1K	1.200	0.40	151
XFSDR74SH-221	220	1K	1.416	0.36	221
XFSDR74SH-271	270	1K	1.560	0.33	271

Open Circuit inductance Test Parameters 1KHz 1V