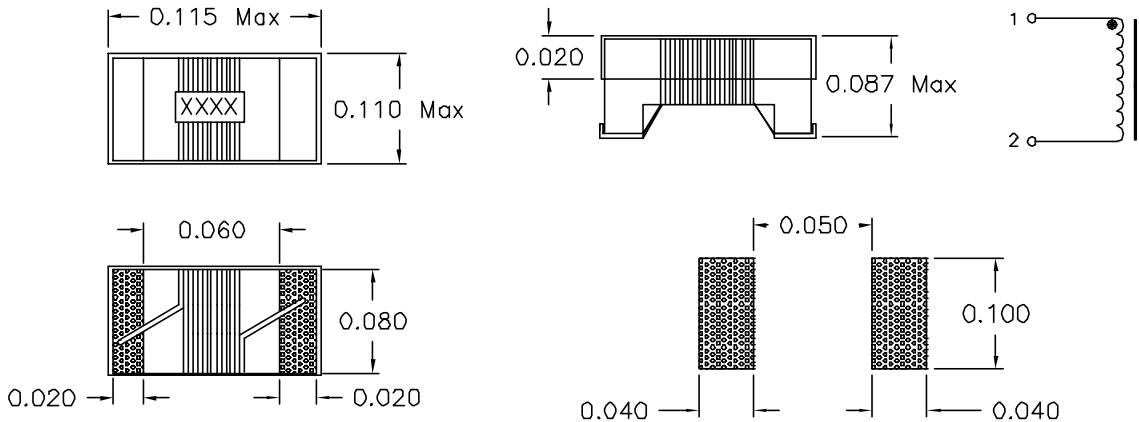


## XFWICS1008 SERIES INDUCTORS

- \* TAPE AND REEL PACKAGING FOR HIGH VOLUME MANUFACTURING  
2000 PCS PER 7" REEL
- \* FOR DC/DC CONVERTERS, DC/AC INVERTERS, VRM APPLICATIONS
- \* TEMP. RISE; 15°C TYPICAL ABOVE 60°C AMBIENT
- \* OPERATING TEMP.: -40°C TO +125°C
- \* RoHS Compliant Component

### Mechanical Dimensions:

### Schematic:



Part Number	INDUCTANCE (nH)	Test Freq. (MHz)	Q Min	Test Freq. (MHz)	SRF Min. (MHz)	RDC Max (Ohms)	IDC Max (mA)
XFWICS1008-10N_	10	50	50	500	4100	0.08	1000
XFWICS1008-12N_	12	50	50	500	3300	0.09	1000
XFWICS1008-15N_	15	50	50	500	2500	0.10	1000
XFWICS1008-18N_	18	50	50	350	2500	0.11	1000
XFWICS1008-22N_	22	50	55	350	2400	0.12	1000
XFWICS1008-27N_	27	50	55	350	1600	0.13	1000
XFWICS1008-33N_	33	50	60	350	1600	0.14	1000
XFWICS1008-39N_	39	50	60	350	1500	0.15	1000
XFWICS1008-47N_	47	50	65	350	1500	0.16	1000
XFWICS1008-56N_	56	50	65	350	1300	0.18	1000
XFWICS1008-68N_	68	50	65	350	1300	0.20	1000
XFWICS1008-82N_	82	50	60	350	1000	0.22	1000
XFWICS1008-R10_	100	25	60	350	1000	0.56	650
XFWICS1008-R12_	120	25	60	350	950	0.63	650
XFWICS1008-R15_	150	25	45	100	850	0.70	580
XFWICS1008-R18_	180	25	45	100	750	0.77	620
XFWICS1008-R22_	220	25	45	100	700	0.84	500
XFWICS1008-R27_	270	25	45	100	600	0.91	500
XFWICS1008-R33_	330	25	45	100	570	1.05	450
XFWICS1008-R39_	390	25	45	100	500	1.12	470
XFWICS1008-R47_	470	25	45	100	450	1.19	470
XFWICS1008-R56_	560	25	45	100	415	1.33	400
XFWICS1008-R62_	620	25	45	100	375	1.40	300
XFWICS1008-R68_	680	25	45	100	375	1.47	400

Inductance Tolerance: F=1%, G=2%, J=5%, K=10%, M=20%

## XFWICS1008 SERIES INDUCTORS

Part Number	INDUCTANCE (nH)	Test Freq. (MHz)	Q Min	Test Freq. (MHz)	SRF Min. (MHz)	RDC Max (Ohms)	IDC Max (mA)
XFWICS1008-R75_	750	25	45	100	360	1.54	360
XFWICS1008-R82_	820	25	45	100	350	1.61	400
XFWICS1008-R91_	910	25	35	50	320	1.68	380
XFWICS1008-1R0_	1.00 uH	25	35	50	290	1.75	370
XFWICS1008-1R2_	1.20 uH	7.96	35	50	250	2.00	310
XFWICS1008-1R5_	1.50 uH	7.96	28	50	200	2.30	330
XFWICS1008-1R8_	1.80 uH	7.96	28	50	160	2.60	300
XFWICS1008-2R2_	2.20 uH	7.96	28	50	160	2.80	280
XFWICS1008-2R7_	2.70 uH	7.96	22	25	140	3.20	290
XFWICS1008-3R3_	3.30 uH	7.96	22	25	110	3.40	290
XFWICS1008-3R9_	3.90 uH	7.96	20	25	100	3.60	260
XFWICS1008-4R7_	4.70 uH	7.96	20	25	90	4.00	260
XFWICS1008-5R6_	5.60 uH	7.96	16	7.96	20	4.00	240
XFWICS1008-6R8_	6.80 uH	7.96	18	7.96	40	4.90	200
XFWICS1008-8R2_	8.20 uH	7.96	18	7.96	25	6.00	170

Inductance Tolerance: F=1%, G=2%, J=5%, K=10%, M=20%