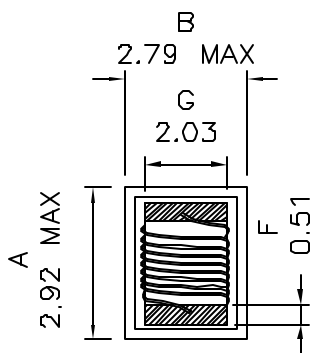


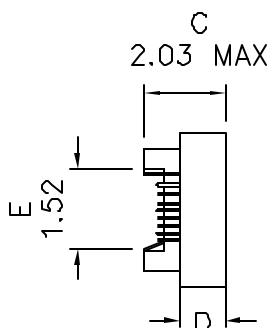
XFWIHQ1008 SERIES INDUCTORS

- * TAPE AND REEL PACKAGING FOR HIGH VOLUME MANUFACTURING
2000 PCS PER 13" REEL
- * FOR DC/DC CONVERTERS, DC/AC INVERTERS, VRM APPLICATIONS
- * TEMP. RISE; 15°C TYPICAL ABOVE 60°C AMBIENT
- * OPERATING TEMP.: -40°C TO +125°C

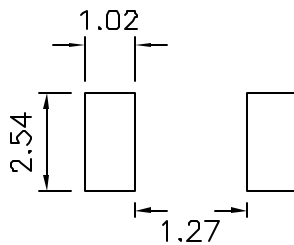
Mechanical Dimensions:



(BOTTOM VIEW)

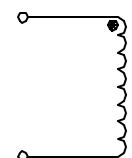


0.51
TYP



(SUGGESTED MOUNTING PAD)

Sechematic:



UNLESS OTHERWISE SPECIFIED
 TOLERANCES:
 .xxx ±0.25
 Dimensions in MM

Part Number	INDUCTANCE nH	Q Min	Frequency	DCR (Ohms Max)	SRF (MHz Min)	I RMS (mA)
XFWIHQ1008-4N1_	4.1	75	1500	0.05	6200	1600
XFWIHQ1008-10N_	10.0	60	500	0.06	3600	1600
XFWIHQ1008-12N_	12.0	70	500	0.06	2800	1500
XFWIHQ1008-18N_	18.0	62	350	0.07	2700	1400
XFWIHQ1008-22N_	22.0	62	350	0.07	2050	1400
XFWIHQ1008-33N_	33.0	75	350	0.09	1700	1300
XFWIHQ1008-39N_	39.0	75	350	0.09	1300	1300
XFWIHQ1008-47N_	47.0	75	350	0.12	1450	1200
XFWIHQ1008-56N_	56.0	75	350	0.12	1230	1200
XFWIHQ1008-68N_	68.0	80	350	0.13	1150	1100
XFWIHQ1008-82N_	82.0	80	350	0.16	1060	1100
XFWIHQ1008-R10_	100.0	62	350	0.16	820	1000

Inductance Tolerance: F=1%, G=2%, J=5%, K=10%, M=20%

1. OCL Tested @ 50MHz
2. ΔT=40°C rise typ. at I_{rms}.
3. Operating temperature range -40°C to +125°C.
4. Electrical Specifications at 25°C.