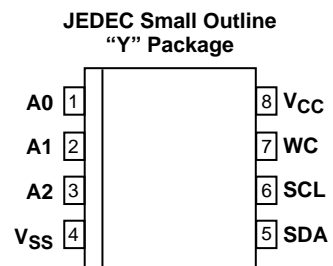
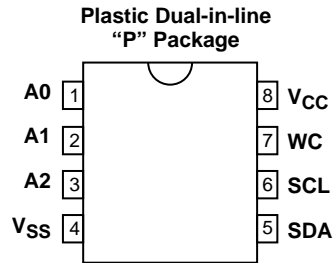


2,048-Bit Serial Electrically Erasable PROM
2.7 To 5.5 Volt Operation

FEATURES

- **Low Power CMOS**
 - Active current less than 2mA
 - Standby current less than 2µA
- **Hardware Write Protection**
 - Write Control pin
- **2.7V to 5.5V Operation**
- **Extended Temperature Range: -40°C to +85°C**
- **Internally Organized as 256 x 8**
- **Two Wire Serial Interface (I²C™)**
 - Bidirectional data transfer protocol
- **Four-Byte Page-Write Mode**
 - Minimizes total write time per byte
- **Automatic Word Address Incrementing**
 - Sequential register read
- **Self-Timed Write Cycle**
- **High Reliability**
 - Endurance: 100,000 erase/write cycles
 - Data retention: 100 years
- **8-Pin PDIP or SOIC Packages**

PIN CONFIGURATIONS



D0014 ILL A01.1

PIN NAMES

A0-A2	Address Inputs
SDA	Serial Data I/O
SCL	Serial Clock Input
WC	Write Control Input
Vss	Ground
Vcc	Supply Voltage

OVERVIEW

The XL24C02 is a cost effective 2,048-bit serial E²PROM. It is fabricated using EXEL's advanced CMOS E²PROM technology. This part operates from a single supply over the range of 2.7 to 5.5 volts.

The XL24C02 is internally organized as a 256 x 8 memory bank. It features a I²C serial interface and software protocol allowing operation on a simple two-wire bus. Up to eight XL24C02s may be connected to the 2-wire bus by establishing their device address using the address input pins (A0, A1 and A2).

PIN DESCRIPTIONS

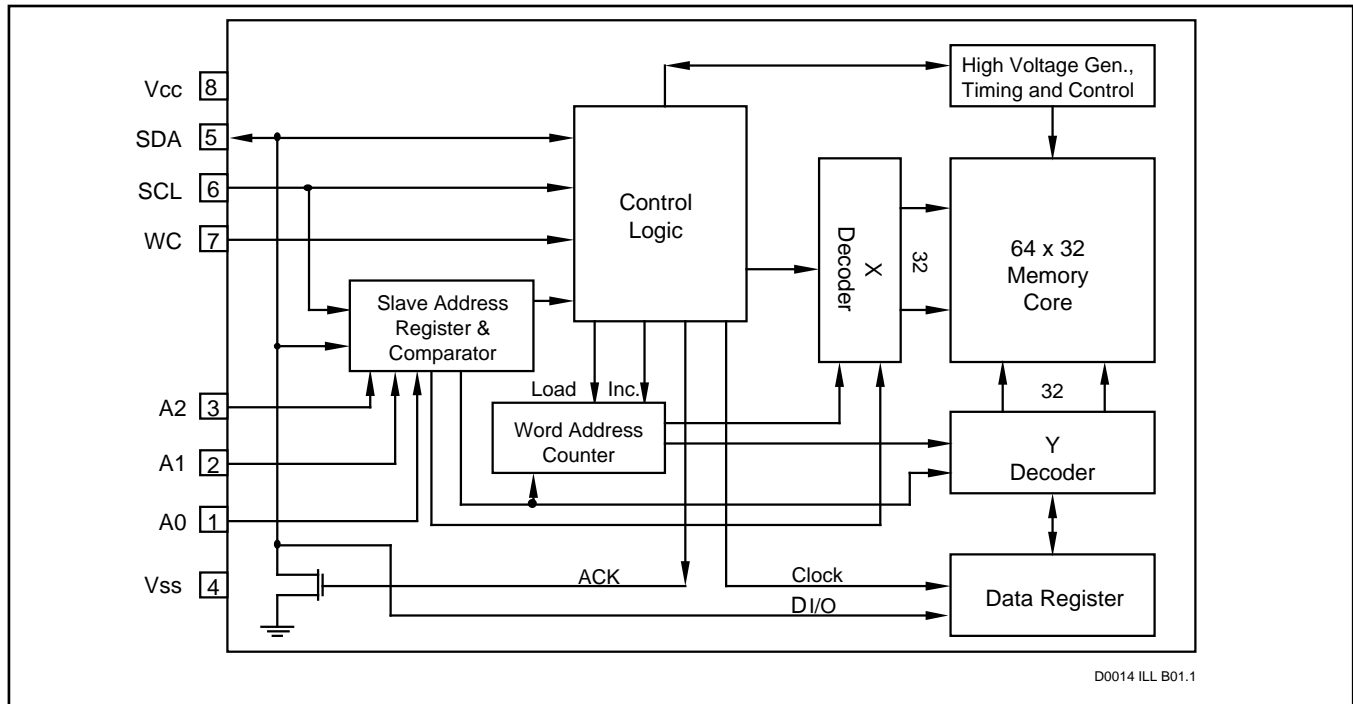
Serial Clock (SCL) - The SCL input is used to clock data into and out of the device. In the WRITE mode, data must remain stable when SCL is HIGH. In the READ mode, data is clocked out on the falling edge of SCL.

Serial Data (SDA) - The SDA pin is a bidirectional pin used to transfer data into and out of the device. Data may change only when SCL is LOW, except START and STOP conditions. It is an open-drain output, and may be wire-ORed with any number of open-drain or open-collector outputs.

Address (A0, A1 and A2) - The address inputs are used to set the three bit device address of the XL24C02 which will identify it on the two-wire bus. These inputs may be tied HIGH or LOW, or they may be actively driven. These inputs allow up to eight XL24C02 devices to be distinguished on the bus.

Write Control (WC) - The Write Control input pin is used to disable write circuitry to the memory. When HIGH, the write function is disabled, protecting previously written data; when LOW, the write function is enabled.

BLOCK DIAGRAM



ENDURANCE AND DATA RETENTION

The XL24C02 is designed for applications requiring up to 100,000 write cycles and unlimited read cycles. It provides 100 years of secure data retention, with or without power applied, after the execution of 100,000 write cycles.

APPLICATIONS

The XL24C02 is ideal for high volume applications requiring low power and low density storage. This device uses a cost effective, space-saving 8-pin plastic package. Typical applications include robotics, alarm devices, electronic locks, meters and instrumentation.

CHARACTERISTICS OF THE I²C BUS

General Description

The I²C bus was designed for two-way, two-line serial communication for different integrated circuits. The two lines are: a serial data line (SDA), and a serial clock line (SCL). The SDA line must be connected to a positive supply by a pull-up resistor, located somewhere on the bus (See Figure 1). Data transfer between devices may be initiated with a START condition only when SCL and SDA are HIGH (bus is not busy).

Input Data Protocol

One data bit is transferred during each clock pulse. The data on the SDA line must remain stable during the clock HIGH time, because changes on the data line, while SCL is HIGH will be interpreted as "START" or "STOP" condition (See Figure 2).

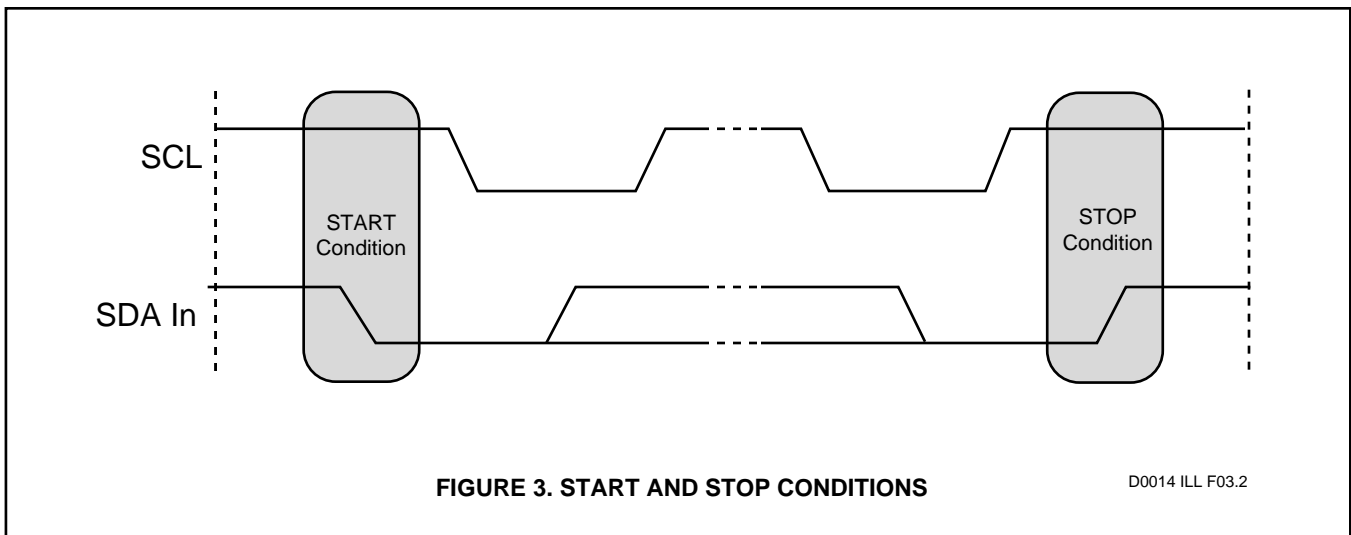
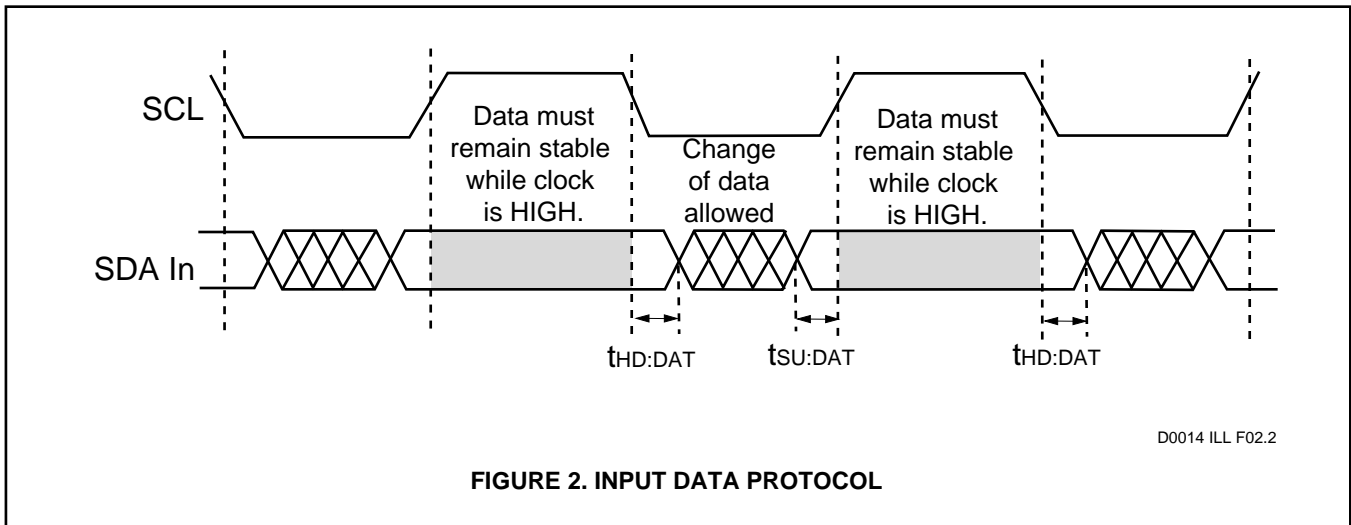
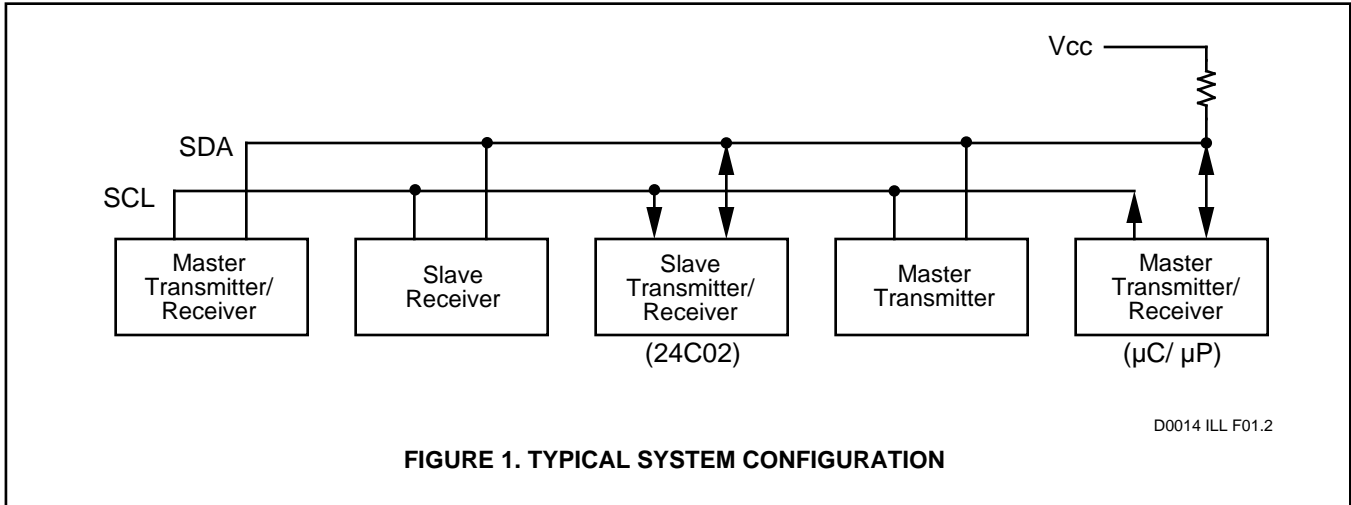
START and STOP Conditions

When both data and clock lines are HIGH, the bus is known as "not busy." A HIGH-to-LOW transition of the data line, while the clock is HIGH, is defined as the "START" condition. A LOW-to-HIGH transition of the data line, while the clock is HIGH, is defined as the "STOP" condition (See Figure 3).

DEVICE OPERATION

The XL24C02 is a 2,048-bit serial E²PROM. The device supports the I²C bidirectional data transmission protocol. The protocol defines any device that sends data onto the bus as a "transmitter" and the receiving device as the "receiver." The device controlling the data transmission is the "master," and the controlled device is the "slave." In all cases, the XL24C02 will be a "slave" device, since it never initiates any data transfers.

Up to eight XL24C02s can be connected to the bus, selected by the A0, A1 and A2 device addresses. A0, A1 and A2 must be connected to either V_{CC}, V_{SS} or they may be actively driven. Other devices may be connected to the bus, but need a different device identification code.



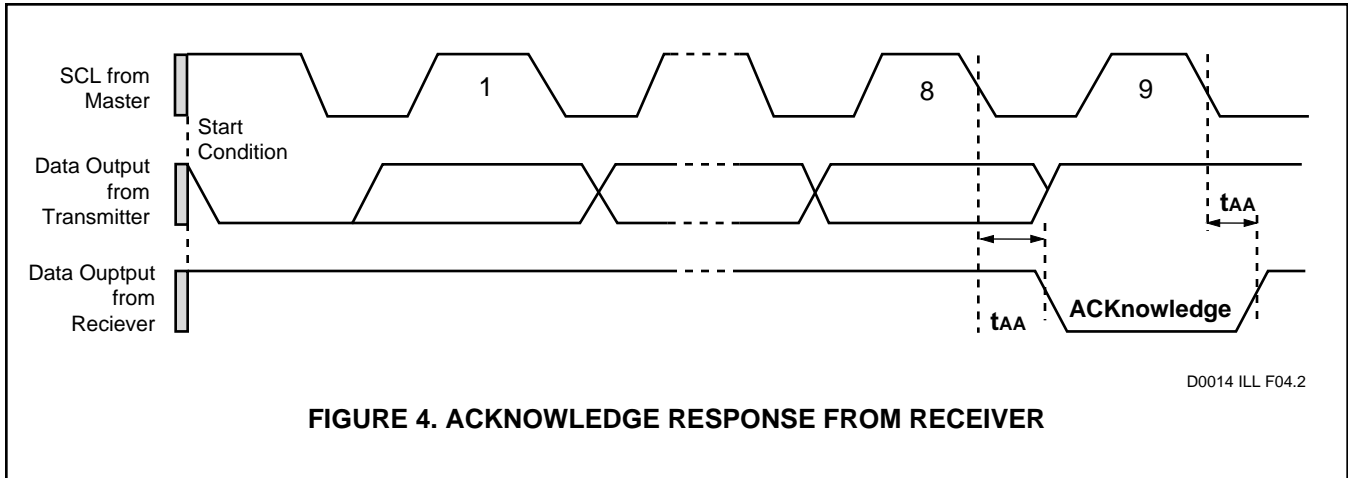


FIGURE 4. ACKNOWLEDGE RESPONSE FROM RECEIVER

Acknowledge (ACK)

Acknowledge is a software convention used to indicate successful data transfers. The transmitting device, either the master or the slave, will release the bus after transmitting eight bits. During the ninth clock cycle, the receiver will pull the SDA line LOW to ACKnowledge that it received the eight bits of data (See Figure 4.)

The XL24C02 will respond with an ACKnowledge after recognition of a START condition and its slave address byte. If both the device and a WRITE operation have been selected, the XL24C02 will respond with an ACKnowledge after the receipt of each subsequent 8-bit word.

In the READ mode, the XL24C02 transmits eight bits of data, then releases the SDA line, and monitors the line for an ACKnowledge signal. If an ACKnowledge is detected, and no STOP condition is generated by the master, the XL24C02 will continue to transmit data. If an ACKnowledge is not detected, the XL24C02 terminates further data transmissions and awaits a STOP condition before returning to the standby power mode.

Slave Address Byte

Following a START condition, the master must output the address to be accessed. The most significant four bits of the slave address are the “device type identifier.” For an XL24C02 address identifier is 1010 (See Figure 5).

The next three bits are device address, addressing a particular device. Using this addressing scheme, a system may cascade up to eight XL24C02 devices on the bus. The device address is defined by the state of the A0, A1 and A2 input pins.

Read/Write Bit

The last bit of the slave address defines the operation to be performed. When set to “1,” a READ operation is selected; when set to “0,” a WRITE operation is selected.

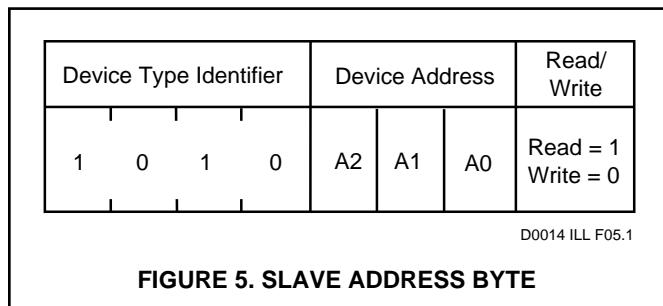


FIGURE 5. SLAVE ADDRESS BYTE

WRITE OPERATIONS

The XL24C02 allows two types of write operation: byte write and page write. The byte write operation writes a single byte during the nonvolatile write period (t_{WR}). The page write operation allows up to 4-byte in the same page to be stored during t_{WR} .

Byte WRITE

For a WRITE operation, the XL24C02 requires a word address field after the slave address. This address field, comprised of eight bits, with the most significant bit “don’t care,” provides access to any one of the 256 words of memory.

Upon receipt of the word address, the XL24C02 responds with an ACKnowledge, and waits for the next eight bits of data, again responding with an ACKnowledge. The master then terminates the transfer by generating a STOP condition, at which time the XL24C02 begins the internal WRITE cycle to the nonvolatile array.

While the internal WRITE cycle is in progress, the XL24C02 inputs are disabled, and the device will not respond to any requests from the master. Refer to Figure 6 for the address, ACKnowledge, and data transfer sequence.

Page WRITE

The XL24C02 is capable of a 4-byte page-WRITE operation. It is initiated in the same manner as the byte-WRITE operation, but instead of terminating the write cycle after the first data word is transferred, the master can transmit up to three more words. After the receipt of each word, the XL24C02 will respond with an ACKnowledge.

The XL24C02 automatically increments the address for subsequent data words. After the receipt of each word, the two low order address bits are internally incremented by one. The high order five bits of the address remain constant. If the master should transmit more than four words, prior to generating the STOP condition, the address counter will “roll over,” and the previously written data will be overwritten. As with the byte-WRITE operation, all inputs are disabled during the internal WRITE cycle. Refer to Figure 6 below for the address, ACKnowledge, and data transfer sequence.

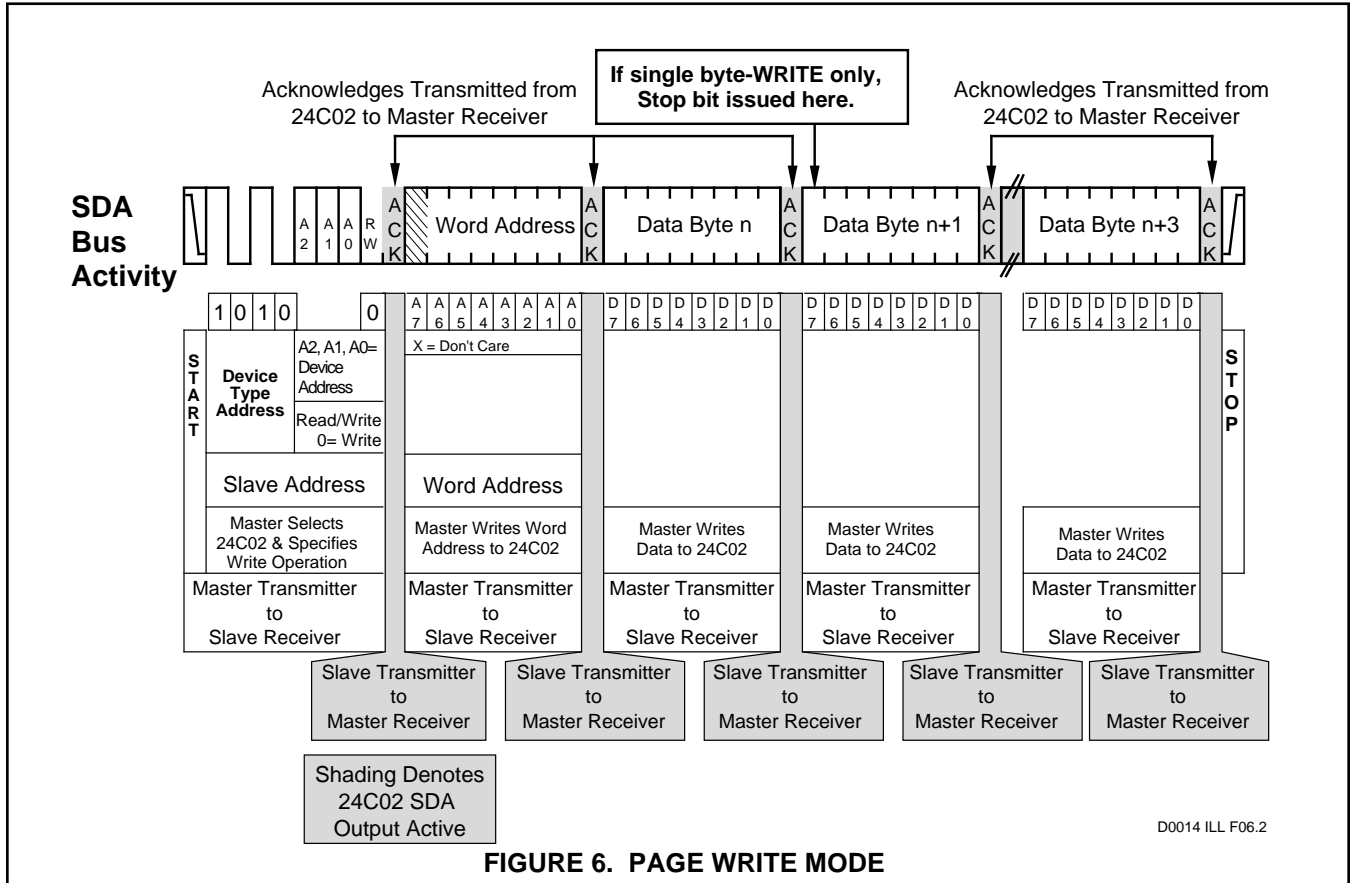
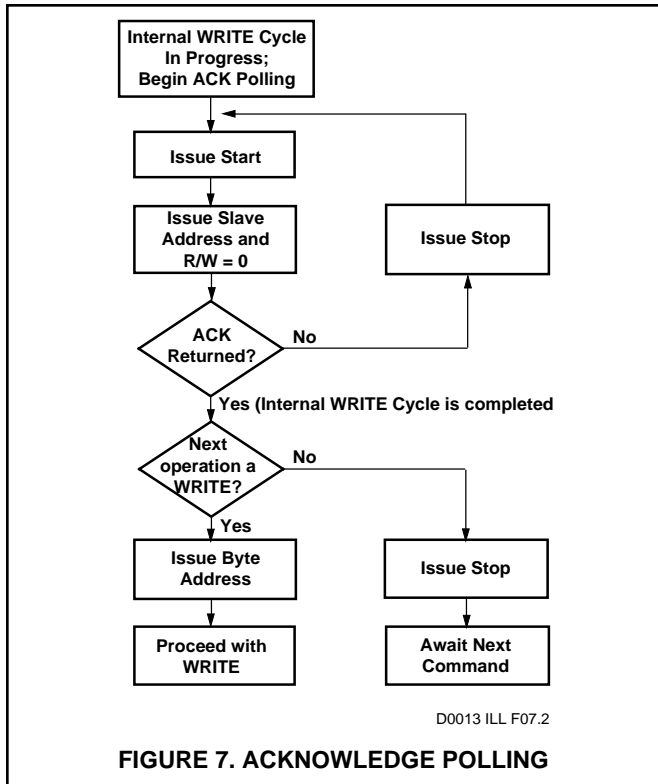


FIGURE 6. PAGE WRITE MODE

Acknowledge Polling

When the XL24C02 is performing an internal WRITE operation, it will not recognize a START condition. Since the device will only return an acknowledge after it accepts the START, the part can be continuously queried until an acknowledge is issued, indicating that the internal WRITE cycle is complete.

To poll the device, give it a START condition, followed by a slave address for a WRITE operation (See Figure 7).



READ OPERATIONS

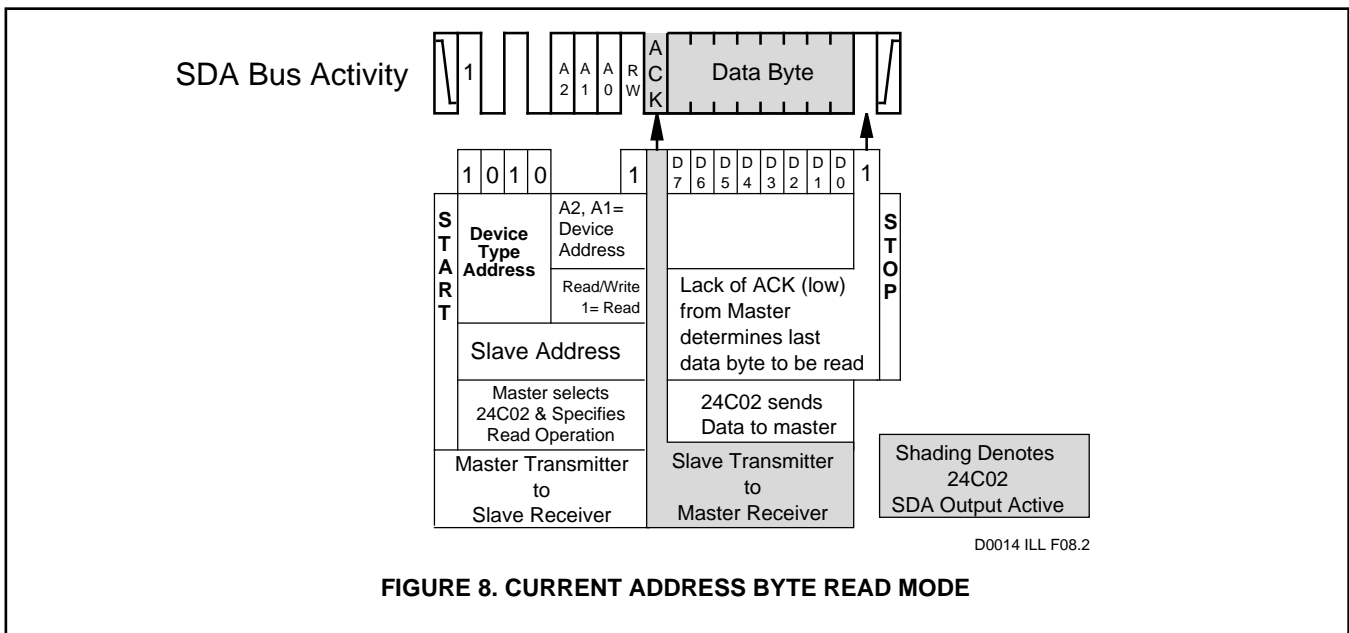
READ operations are initiated with the R/W bit of the slave address byte set to "1." There are four different READ operation options:

1. Current Address Byte READ
2. Random Address Byte READ
3. Current Address Sequential READ
4. Random Address Sequential READ

Current Address Byte READ

The XL24C02 contains an internal address counter which maintains the address of the last word accessed, incremented by one. If the last address accessed (either a READ or a WRITE) was to address location n, the next READ operation would access data from address n+1, and update the current address pointer. When the XL24C02 receives the slave address field with the R/W bit set to "1," it issues an acknowledge and transmits the 8-bit word stored at address n+1.

The current address READ operation only accesses a single byte of data. The master does not acknowledge the transfer, but does generate a STOP condition. At this point, the XL24C02 discontinues transmission. See Figure 8 for the address, acknowledge, and data transfer sequence.



Random Address Byte READ

Random address READ operations allow the master to access any memory location in a random fashion. This operation involves a two-step process. First, the master issues a WRITE command which includes the START condition and the slave address field (with the R/W bit set to WRITE), followed by the address of the word it is to READ. This procedure sets the internal address counter of the XL24C02 to the desired address.

After the word address acknowledge is received by the master, the master immediately reissues a START condition followed by another slave address field with the R/W bit set to READ. The XL24C02 will respond with an acknowledge and transmit the eight data bits stored at the addressed location. At this point, the master does not acknowledge the transmission, but does generate the STOP condition. The XL24C02 discontinues data transmission and reverts to its standby power mode. See Figure 9 for the address, acknowledge, and data transfer sequence.

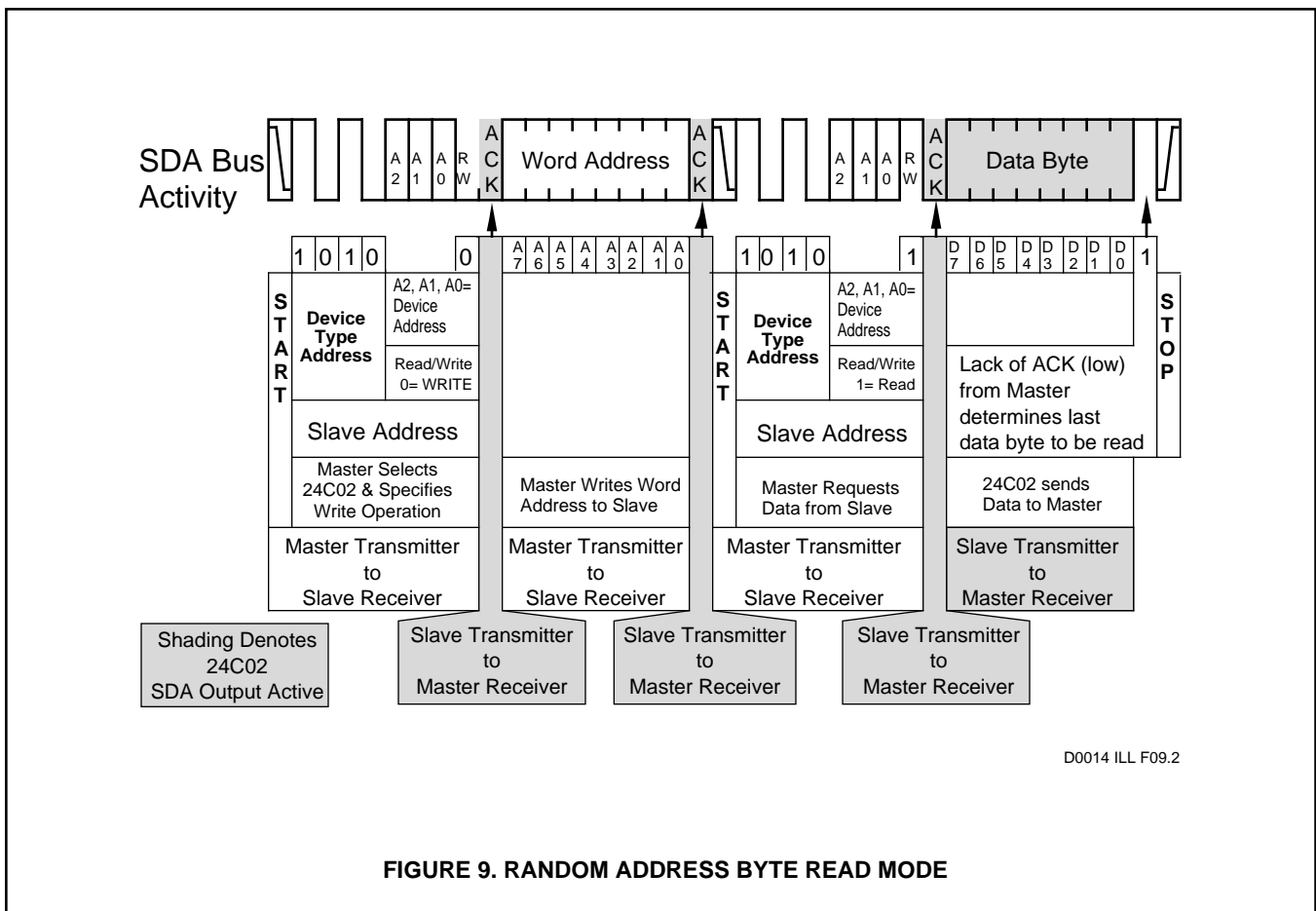


FIGURE 9. RANDOM ADDRESS BYTE READ MODE

Sequential READ

Sequential READs can be initiated as either a current address READ or random address READ. The first word is transmitted as with the other byte READ modes (current address byte read or random address byte read); however, the master now responds with an ACKnowledge, indicating that it requires additional data from the XL24C02. The XL24C02 continues to output data for each ACKnowledge received. The master terminates the sequential READ operation by not responding with an ACKnowledge, and issues a STOP condition.

During a sequential read operation, the internal address counter is automatically incremented with each acknowledge signal. For read operations, all address bits are incremented, allowing the entire array to be read using a single read command. When the counter reaches the top of the array, it will “roll over” to the bottom of the array and continue to transmit data for each acknowledge bit it receives. See Figure 10 for the address, acknowledge and data transfer sequence.

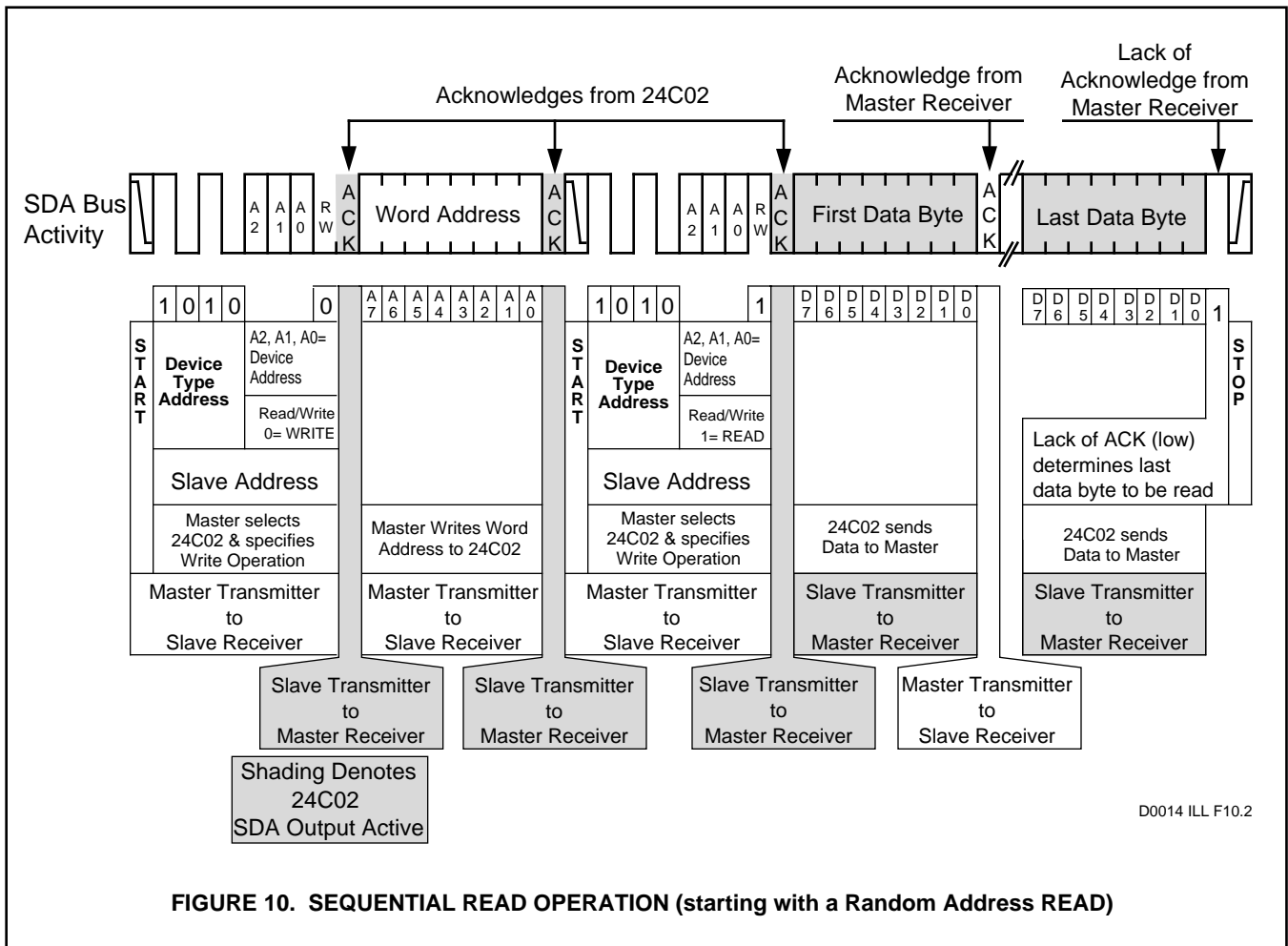


FIGURE 10. SEQUENTIAL READ OPERATION (starting with a Random Address READ)

ABSOLUTE MAXIMUM RATINGS

Temperature Under Bias:	-40°C to +85°C
Storage Temperature	-65°C to +150°C
Soldering Temperature (less than 10 seconds)	300°C
Supply Voltage	0 to 6.5V
Voltage on Any Pin	-0.5V to $V_{CC}+0.5V$
ESD Voltage (JEDEC method)	2,000V
Output Current	+5mA

NOTE: These are STRESS ratings only. Appropriate conditions for operating these devices are given elsewhere in this specification. Stresses beyond those listed here may permanently damage the part. Prolonged exposure to maximum ratings may affect device reliability.

DC ELECTRICAL CHARACTERISTICS

$T_A = -40^\circ\text{C}$ to $+85^\circ\text{C}$, $V_{CC} = 2.7\text{V}$ to 5.5V

Symbol	Parameter	Conditions	Min	Max	Units
I _{CC}	Supply Current (CMOS)	SCL = CMOS Levels @ 100KHz SDA = Open All other inputs = GND or V _{CC}	$V_{CC} = 5V \pm 10\%$	2	mA
			$V_{CC} = 3V \pm 10\%$	1	mA
I _{SB}	Standby Current (CMOS)	SCL = SDA = V _{CC} All other inputs = GND or V _{CC}		2	μA
I _{LI}	Input Leakage	$V_{IN} = 0$ To V_{CC}		10	μA
I _{LO}	Output Leakage	$V_{OUT} = 0$ To V_{CC}		10	μA
V _{IL}	Input Low Voltage	A0-A2, SCL, SDA		0.3xV _{CC}	V
V _{IH}	Input High Voltage	A0-A2, SCL, SDA	0.7xV _{CC}		V
V _{OL}	Output Low Voltage	I _{OL} = 3mA		0.4	V

D0014 PGM T01.1

AC ELECTRICAL CHARACTERISTICS

$T_A = -40^\circ\text{C}$ to $+85^\circ\text{C}$, $V_{CC} = 2.7\text{V}$ to 5.5V

Symbol	Parameter	Conditions	Min	Max	Units
f _{SCL}	SCL Clock Frequency		0	100	KHz
t _{LOW}	Clock Low Period		4.7		μs
t _{HIGH}	Clock High Period		4.0		μs
t _{BUF}	Bus Free Time	Before New Transmission	4.7		μs
t _{SU:STA}	Start Condition Setup Time		4.7		μs
t _{HD:STA}	Start Condition Hold Time		4.0		μs
t _{SU:STO}	Stop Condition Setup Time		4.7		μs
t _{AA}	Clock to Output	SCL Low to SDA Data Out Valid	0.3	3.5	μs
t _{DH}	Data Out Hold Time	SCL Low to SDA Data Out Change	0.3		μs
t _R	SCL and SDA Rise Time			1000	ns
t _F	SCL and SDA Fall Time			300	ns
t _{SU:DAT}	Data In Setup Time		250		ns
t _{HD:DAT}	Data In Hold Time		0		ns
T _I	Noise Spike Width	Time Constant @ SCL, SDA Inputs		100	ns
t _{WR}	Write Cycle Time	$V_{CC} = 5V \pm 10\%$		10	ms
		$V_{CC} = 3V \pm 10\%$		15	ms

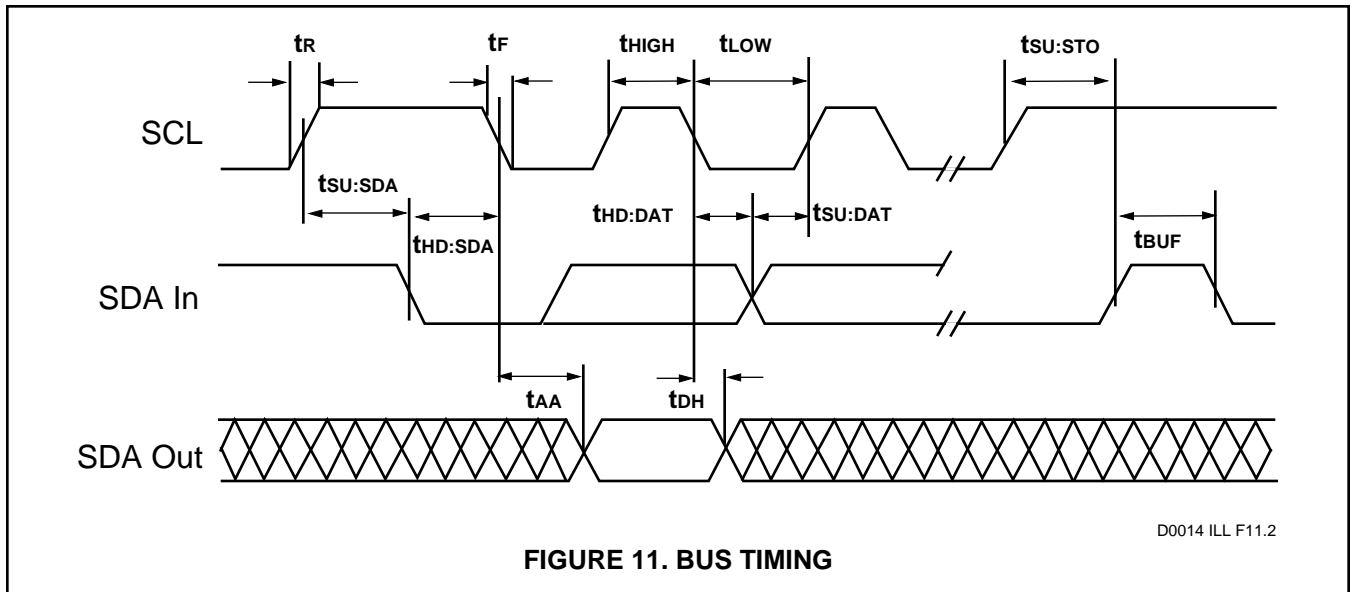
D0014 PGM T02.2

CAPACITANCE

T_A = 25°C, f = 100KHz

Symbol	Parameter	Max	Units
C _{IN}	Input Capacitance	5	pF
C _{OUT}	Output Capacitance	8	pF

D0014 PGM T03.1

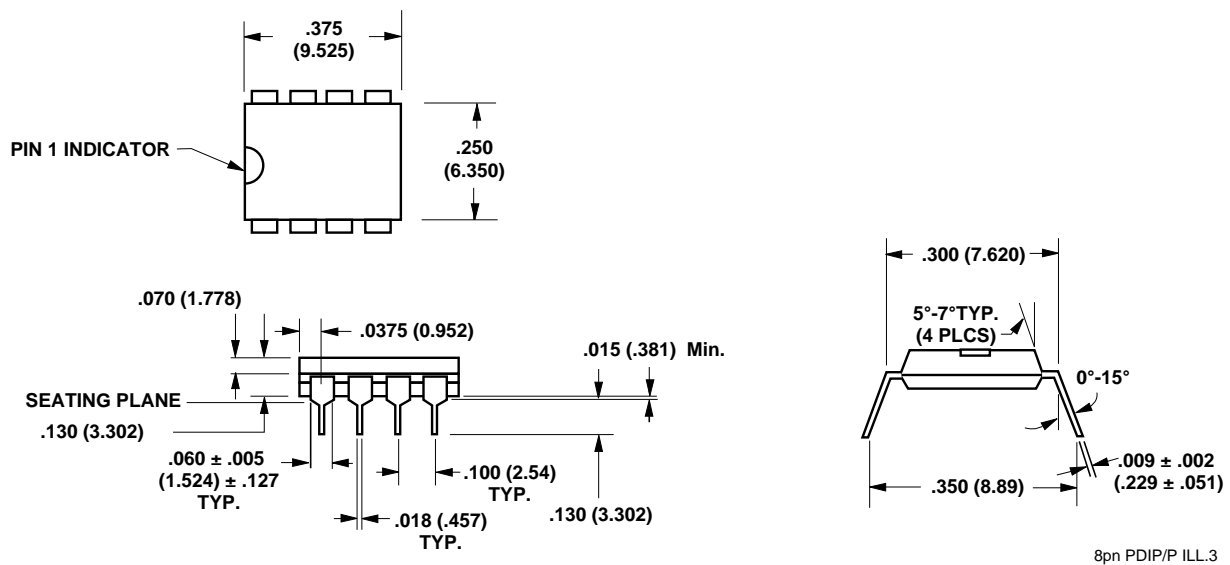


D0014 ILL F11.2

FIGURE 11. BUS TIMING

PACKAGE DIAGRAMS

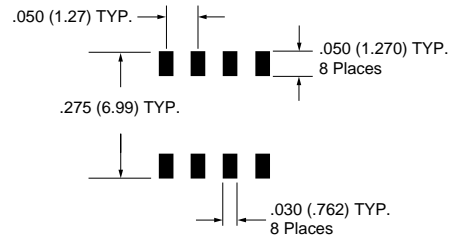
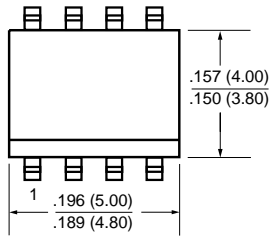
Plastic Dual-in-line (Type "P") Package (PDIP)*



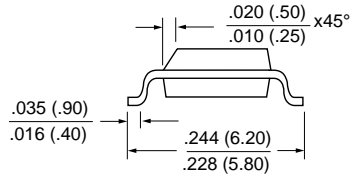
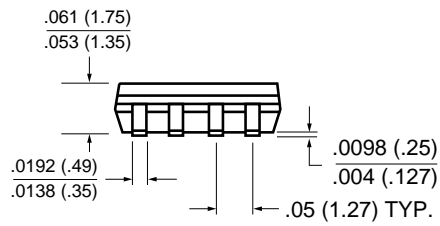
8pn PDIP/P ILL.3

All dimensions in inches (mm).
* See cover page for pinout options.

8 Pin SOIC (Type "Y") Package* (JEDEC 150 mil body width)



FOOTPRINT



All dimensions in inches (mm).
* See cover page for pinout options.

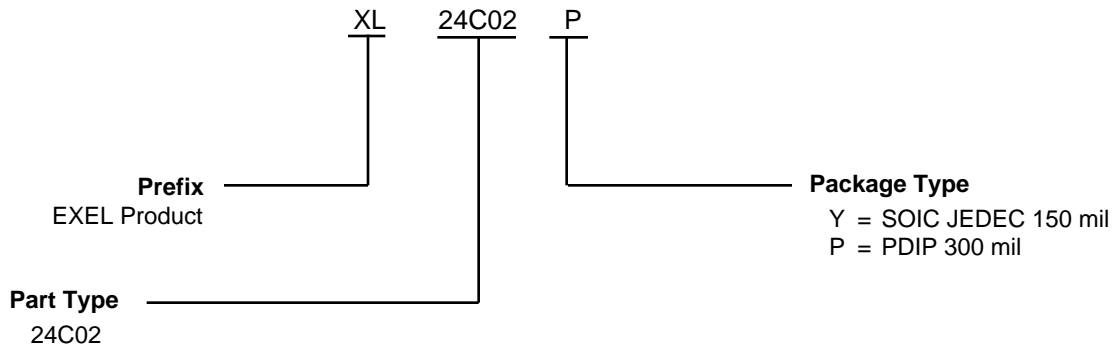
8pn JEDEC SOIC ILL.1

ORDERING INFORMATION

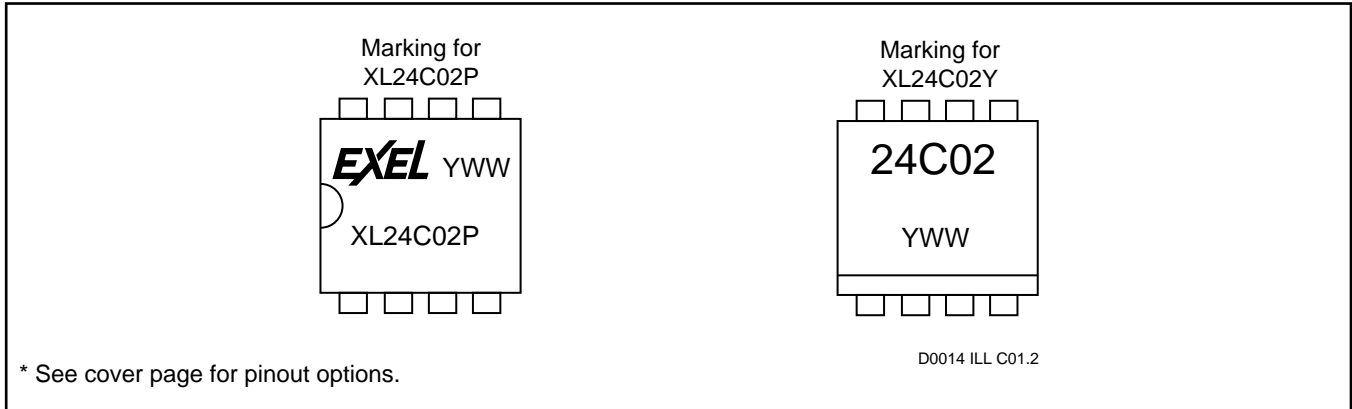
Prefix	Part Number	Package Type
XL	24C02	Y, P

D0014 PGM T04.1

Part Numbers:

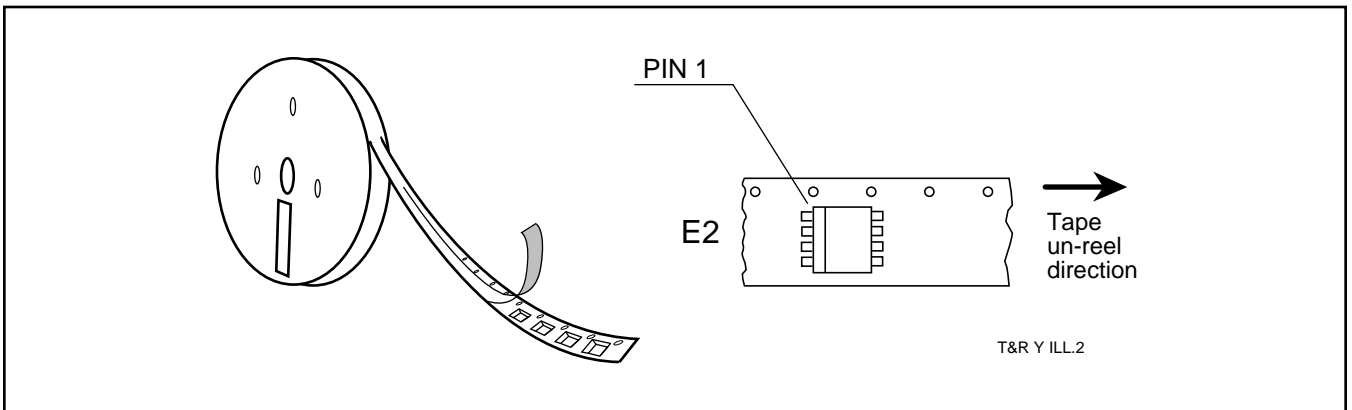


MARKING INFORMATION



TAPE AND REEL (EMBOSSED) INFORMATION

Surface mount devices, which are normally shipped in antistatic plastic tubes, are also available mounted on embossed tape for customers using automatic placement systems. The following diagram provides general information regarding the direction of the IC's. Tape "E2" shall be designated with PIN 1 at the trail direction.



NOTICE

EXEL Microelectronics, Inc. reserves the right to make changes to the products contained in this publication in order to improve design, performance or reliability. EXEL Microelectronics, Inc. assumes no responsibility for the use of any circuits described herein, conveys no license under any patent or other right, and makes no representation that the circuits are free of patent infringement. Charts and schedules contained herein reflect representative operating parameters, and may vary depending upon a user's specific application. While the information in this publication has been carefully checked, EXEL Microelectronics, Inc. shall not be liable for any damages arising as a result of any error or omission.

EXEL Microelectronics, Inc. does not recommend the use of any of its products in life support applications where the failure or malfunction of the product can reasonably be expected to cause failure of the life support system or to significantly affect its safety or effectiveness. Products are not authorized for use in such applications unless EXEL Microelectronics, Inc. receives written assurances, to its satisfaction, that: (a) the risk of injury or damage has been minimized; (b) the user assumes all such risks; and (c) potential liability of EXEL Microelectronics, Inc. is adequately protected under the circumstances.

© Copyright 1996 EXEL Microelectronics, Inc.

I²C™ is a trademark of Philips Corporation. Purchase of I²C components of Rohm Co. Ltd., or one of its sublicensed Associated Companies (EXEL Microelectronics, Inc.) conveys a license under the Philips I²C Patent Rights to use these components in an I²C system, provided that the system conforms to the I²C Standard Specification as defined by Philips.