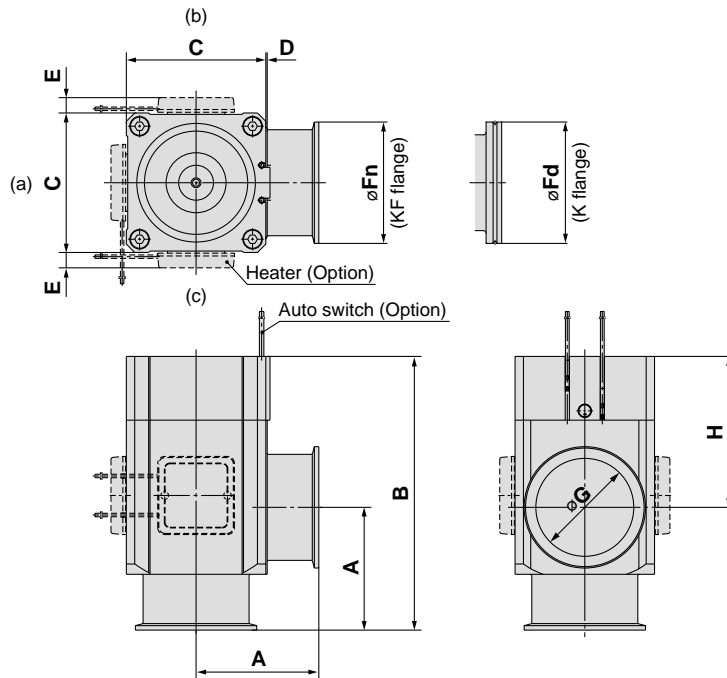


Dimensions

XLAV/Air operated



| Model | A | B | C | D | E ^{Note 1)} | Fn | Fd | G | H |
|---------------|----|-----|-----|---|----------------------|-----|-----|----|----|
| XLA-16 | 40 | 103 | 38 | 1 | — | 30 | — | 17 | 40 |
| XLA-25 | 50 | 113 | 48 | 1 | 12 | 40 | — | 26 | 39 |
| XLA-40 | 65 | 158 | 66 | 2 | 11 | 55 | — | 41 | 63 |
| XLA-50 | 70 | 170 | 79 | 2 | 11 | 75 | — | 52 | 68 |
| XLA-63 | 88 | 196 | 100 | 3 | 11 | 87 | 95 | 70 | 69 |
| XLA-80 | 90 | 235 | 117 | 3 | 11 | 114 | 110 | 83 | 96 |

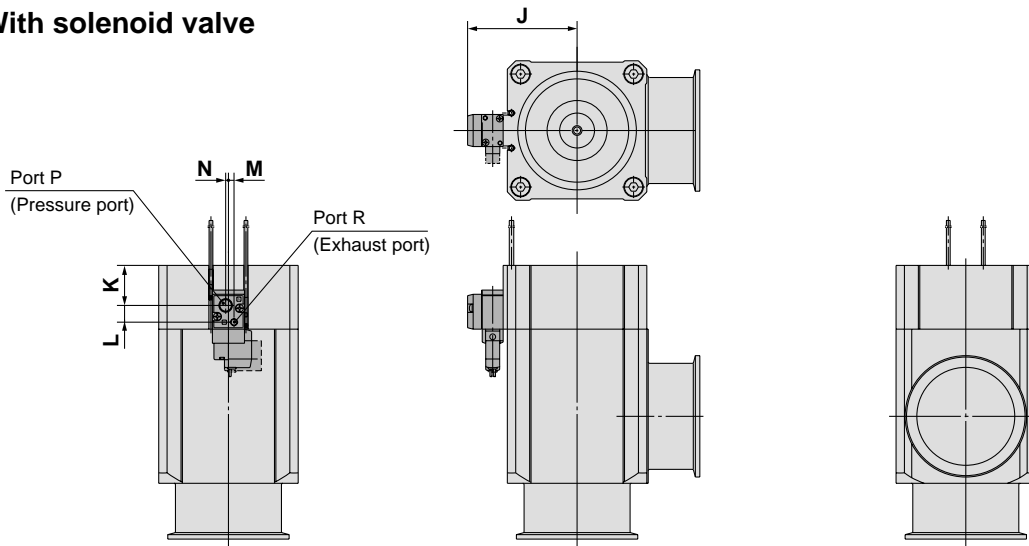
Note 1) Dimension E applies when heater option is included. (Lead wire length: approx. 1 m)

Note 2) (a), (b) and (c) in the above drawing indicate heater mounting positions.

Moreover, heater mounting positions will differ depending on the type of heater.

For further details, refer to mounting positions under "Replacement Heaters" on the back of page 9.

XLAV/With solenoid valve



| Model | J | K | L | M | N |
|----------------|------|------|-----|-----|---|
| XLAV-16 | 35.5 | 13.4 | 8.5 | 2.7 | 3 |
| XLAV-25 | 40.5 | 14.9 | 8.5 | 2.7 | 3 |
| XLAV-40 | 50.5 | 22.7 | 8.5 | 2.7 | 3 |

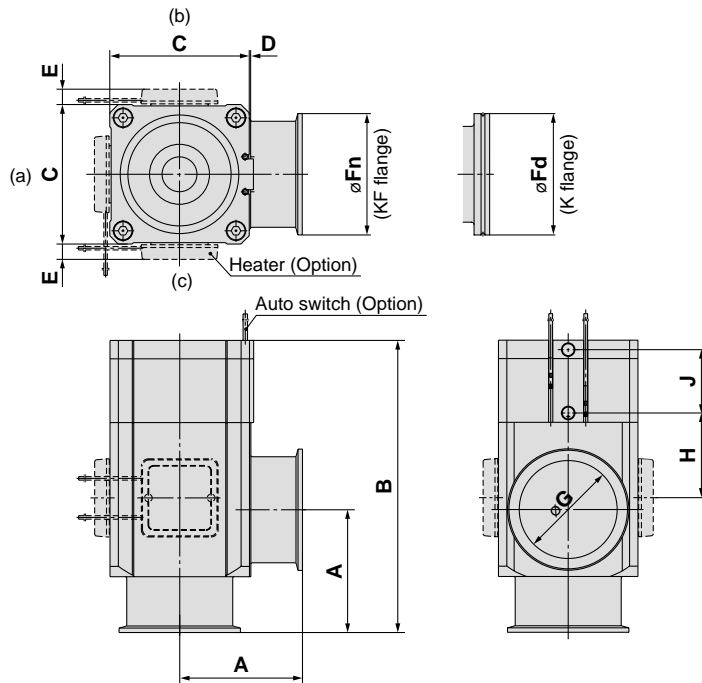
| Model | J | K | L | M | N |
|----------------|------|------|-----|-----|---|
| XLAV-50 | 57 | 25.7 | 8.5 | 2.7 | 3 |
| XLAV-63 | 78.5 | 28.7 | 12 | 4 | 2 |
| XLAV-80 | 87 | 38.7 | 12 | 4 | 2 |

* Other dimensions are the same as the XLA.

Note) For further details on solenoid valves, refer to the SMC solenoid valve catalog "SYJ300/500/700" (ES11-86).

Dimensions

XLC/Air operated



| Model | A | B | C | D | E Note 1) | F_n | F_d | G | H | J |
|---------------|----|-----|-----|---|-----------|-------|-------|----|----|----|
| XLC-16 | 40 | 110 | 38 | 1 | — | 30 | — | 17 | 40 | 26 |
| XLC-25 | 50 | 121 | 48 | 1 | 12 | 40 | — | 26 | 39 | 28 |
| XLC-40 | 65 | 171 | 66 | 2 | 11 | 55 | — | 41 | 63 | 36 |
| XLC-50 | 70 | 183 | 79 | 2 | 11 | 75 | — | 52 | 68 | 38 |
| XLC-63 | 88 | 209 | 100 | 3 | 11 | 87 | 95 | 70 | 69 | 45 |
| XLC-80 | 90 | 250 | 117 | 3 | 11 | 114 | 110 | 83 | 96 | 56 |

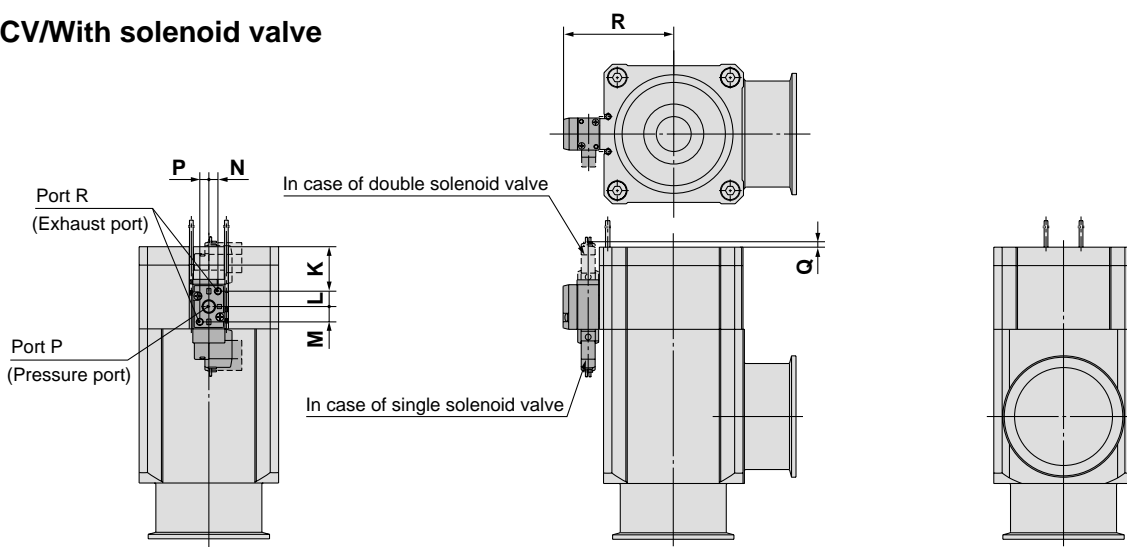
Note 1) Dimension E applies when heater option is included. (Lead wire length: approx. 1 m)

Note 2) (a), (b) and (c) in the above drawing indicate heater mounting positions.

Moreover, heater mounting positions will differ depending on the type of heater.

For further details, refer to mounting positions under "Replacement Heaters" on the back of page 9.

XLCV/With solenoid valve



| Model | K | L | M | N | P | Q | R |
|----------------|------|-----|-----|-----|-----|------|----|
| XLCV-16 | 14.3 | 9.2 | 6.4 | 3.5 | 2.7 | 17.3 | 36 |
| XLCV-25 | 15.8 | 9.2 | 6.4 | 3.5 | 2.7 | 15.8 | 41 |
| XLCV-40 | 29 | 9.2 | 6.4 | 3.5 | 2.7 | 2.6 | 51 |

| Model | K | L | M | N | P | Q | R |
|----------------|------|-----|-----|-----|-----|---|------|
| XLCV-50 | 32.3 | 9.2 | 6.4 | 3.5 | 2.7 | — | 57.5 |
| XLCV-63 | 32 | 11 | 11 | 6.5 | 6.5 | — | 79 |
| XLCV-80 | 43.7 | 11 | 11 | 6.5 | 6.5 | — | 87.5 |

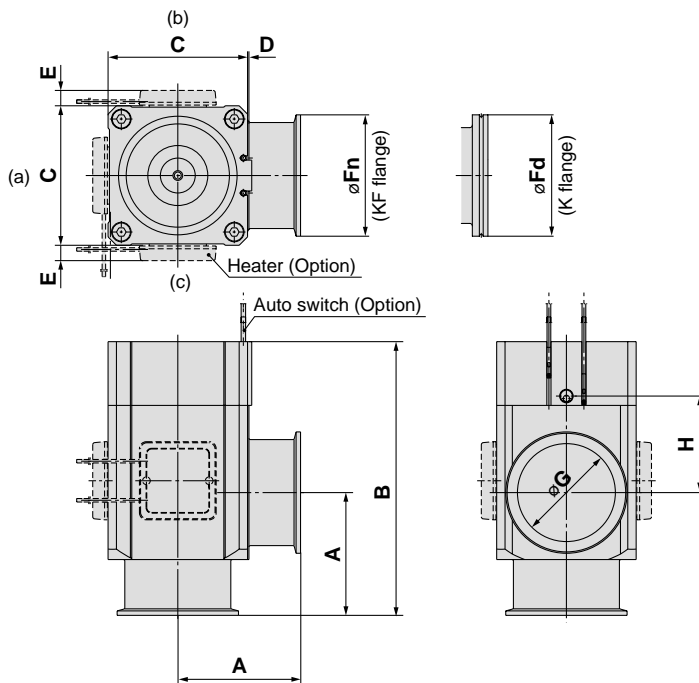
* Other dimensions are the same as the XLC.

Note) For further details on solenoid valves, refer to the SMC solenoid valve catalog "SYJ3000/5000/7000" (ES11-84).

* Other dimensions are the same as the XLC.

Dimensions

XLF/Air operated



| Model | A | B | C | D | E ^{Note 1)} | Fn | Fd | G | H |
|----------------|-----|-----|-----|---|----------------------|-----|-----|-----|-----|
| XLF-16 | 40 | 103 | 38 | 1 | — | 30 | — | 17 | 40 |
| XLF-25 | 50 | 113 | 48 | 1 | 12 | 40 | — | 26 | 39 |
| XLF-40 | 65 | 158 | 66 | 2 | 11 | 55 | — | 41 | 63 |
| XLF-50 | 70 | 170 | 79 | 2 | 11 | 75 | — | 52 | 68 |
| XLF-63 | 88 | 196 | 100 | 3 | 11 | 87 | 95 | 70 | 69 |
| XLF-80 | 90 | 235 | 117 | 3 | 11 | 114 | 110 | 83 | 96 |
| XLF-100 | 108 | 300 | 154 | 3 | 11 | 134 | 130 | 102 | 131 |
| XLF-160 | 138 | 315 | 200 | 3 | 11 | 190 | 180 | 153 | 112 |

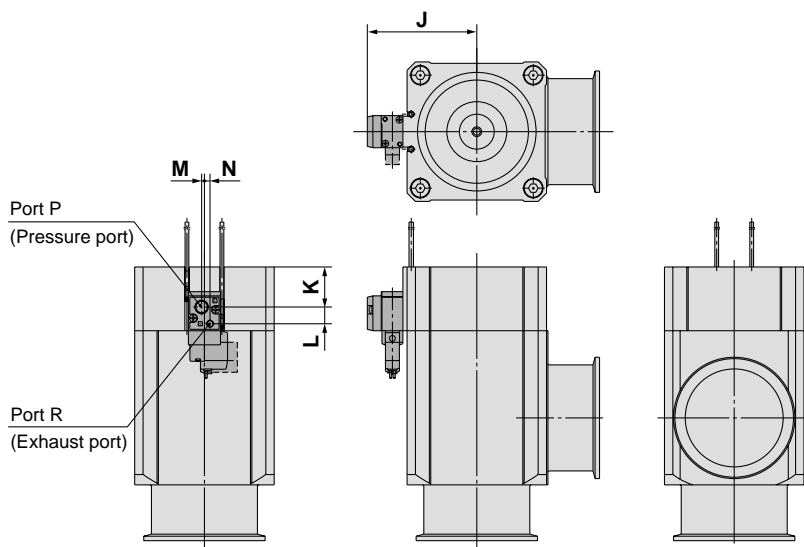
Note 1) Dimension E applies when heater option is included. (Lead wire length: approx. 1 m)

Note 2) (a), (b) and (c) in the above drawing indicate heater mounting positions.

Moreover, heater mounting positions will differ depending on the type of heater.

For further details, refer to mounting positions under "Replacement Heaters" on the back of page 9.

XLFV/With solenoid valve



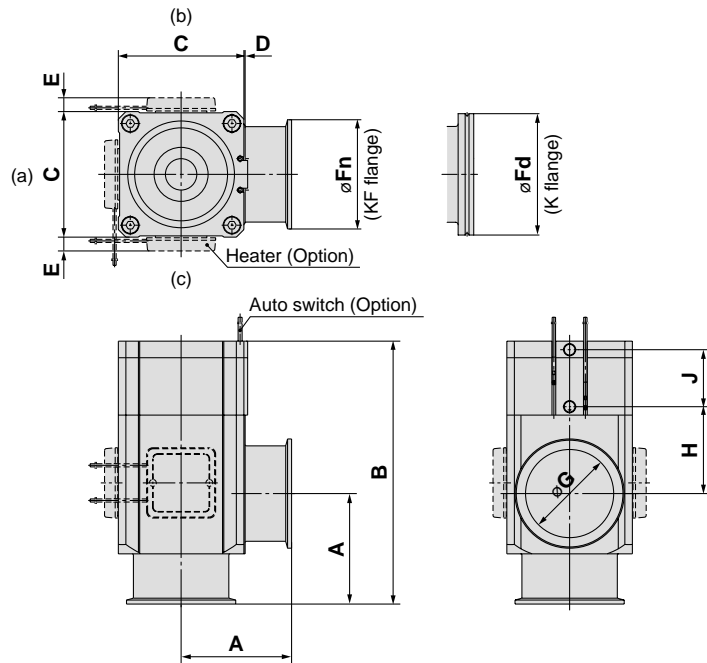
| Model | J | K | L | M | N |
|-----------------|-------|------|-----|---|-----|
| XLFV-16 | 35.5 | 13.4 | 8.5 | 3 | 2.7 |
| XLFV-25 | 40.5 | 15 | 8.5 | 3 | 2.7 |
| XLFV-40 | 50.5 | 22.7 | 8.5 | 3 | 2.7 |
| XLFV-50 | 67 | 21.7 | 12 | 4 | 2 |
| XLFV-63 | 78.5 | 28.7 | 12 | 4 | 2 |
| XLFV-80 | 87 | 38.7 | 12 | 4 | 2 |
| XLFV-100 | 105.5 | 49.7 | 12 | 4 | 2 |
| XLFV-160 | 128.5 | 58 | 12 | 4 | 2 |

* Other dimensions are the same as the XLF.

Note) For further details on solenoid valves, refer to the SMC solenoid valve catalog "SYJ300/500/700" (ES11-86).

Dimensions

XLG/Air operated



| Model | A | B | C | D | E Note 1) | Fn | Fd | G | H | J |
|---------------|----|-----|-----|---|-----------|-----|-----|----|----|----|
| XLG-16 | 40 | 110 | 38 | 1 | — | 30 | — | 17 | 40 | 26 |
| XLG-25 | 50 | 121 | 48 | 1 | 12 | 40 | — | 26 | 39 | 28 |
| XLG-40 | 65 | 171 | 66 | 2 | 11 | 55 | — | 41 | 63 | 36 |
| XLG-50 | 70 | 183 | 79 | 2 | 11 | 75 | — | 52 | 68 | 38 |
| XLG-63 | 88 | 209 | 100 | 3 | 11 | 87 | 95 | 70 | 69 | 45 |
| XLG-80 | 90 | 250 | 117 | 3 | 11 | 114 | 110 | 83 | 96 | 56 |

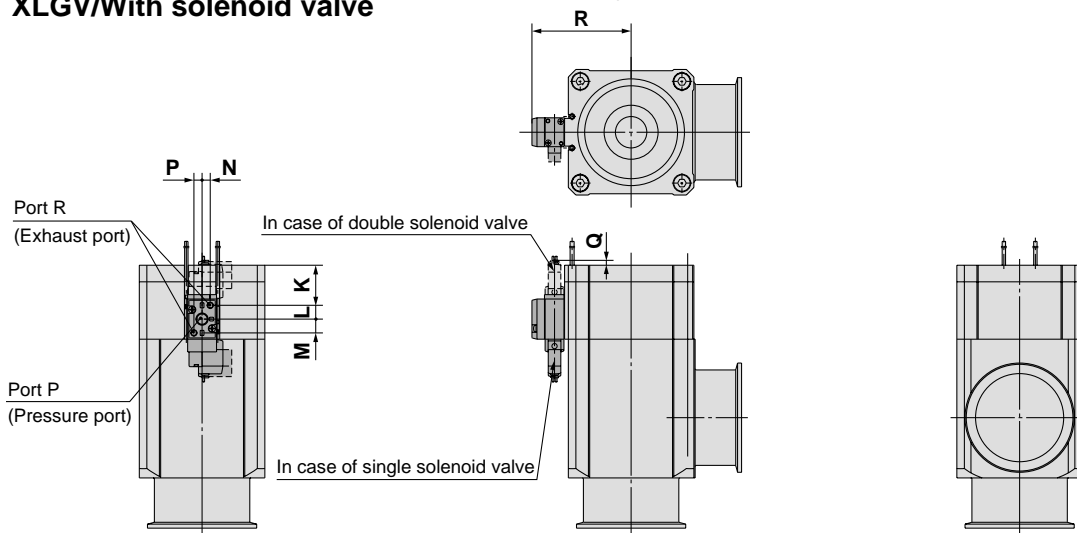
Note 1) Dimension E applies when heater option is included. (Lead wire length: approx. 1 m)

Note 2) (a), (b) and (c) in the above drawing indicate heater mounting positions.

Moreover, heater mounting positions will differ depending on the type of heater.

For further details, refer to mounting positions under "Replacement Heaters" on the back of page 9.

XLGV/With solenoid valve



| Model | K | L | M | N | P | Q | R |
|----------------|------|-----|-----|-----|-----|------|------|
| XLGV-16 | 14.3 | 9.2 | 6.4 | 3.5 | 2.7 | 17.3 | 36 |
| XLGV-25 | 15.8 | 9.2 | 6.4 | 3.5 | 2.7 | 15.8 | 41 |
| XLGV-40 | 29 | 9.2 | 6.4 | 3.5 | 2.7 | 2.6 | 51 |
| XLGV-50 | 25 | 11 | 11 | 6.5 | 6.5 | 7.7 | 67.5 |
| XLGV-63 | 32.3 | 11 | 11 | 6.5 | 6.5 | 0.3 | 79 |
| XLGV-80 | 43.7 | 11 | 11 | 6.5 | 6.5 | — | 87.5 |

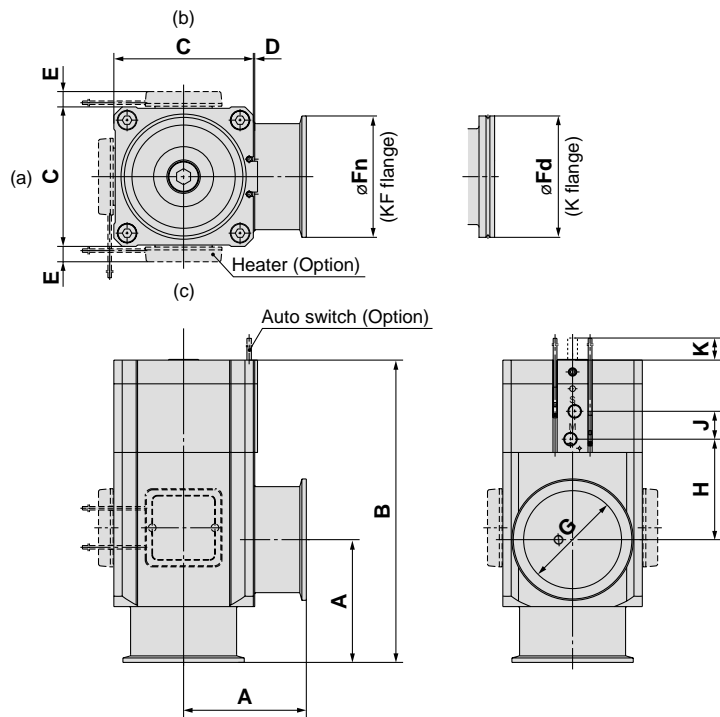
* Other dimensions are the same as the XLG.

Note) For further details on solenoid valves, refer to the SMC solenoid valve catalog "SYJ3000/5000/7000" (ES11-84).

Series XLD/XLDV

Dimensions

XLD/Air operated



| Model | A | B | C | D | E | Fn | Fd | G | H | J | K |
|---------------|----|-----|-----|---|----|-----|-----|----|----|----|------|
| XLD-25 | 50 | 123 | 48 | 1 | 12 | 40 | — | 26 | 41 | 16 | 7.5 |
| XLD-40 | 65 | 170 | 66 | 2 | 11 | 55 | — | 41 | 63 | 20 | 15 |
| XLD-50 | 70 | 183 | 79 | 2 | 11 | 75 | — | 52 | 68 | 20 | 17.5 |
| XLD-63 | 88 | 217 | 100 | 3 | 11 | 87 | 95 | 70 | 72 | 20 | 20 |
| XLD-80 | 90 | 256 | 117 | 3 | 11 | 114 | 110 | 83 | 98 | 20 | 26.5 |

Note 1) Dimension E applies when heater option is included. (Lead wire length: approx. 1 m)

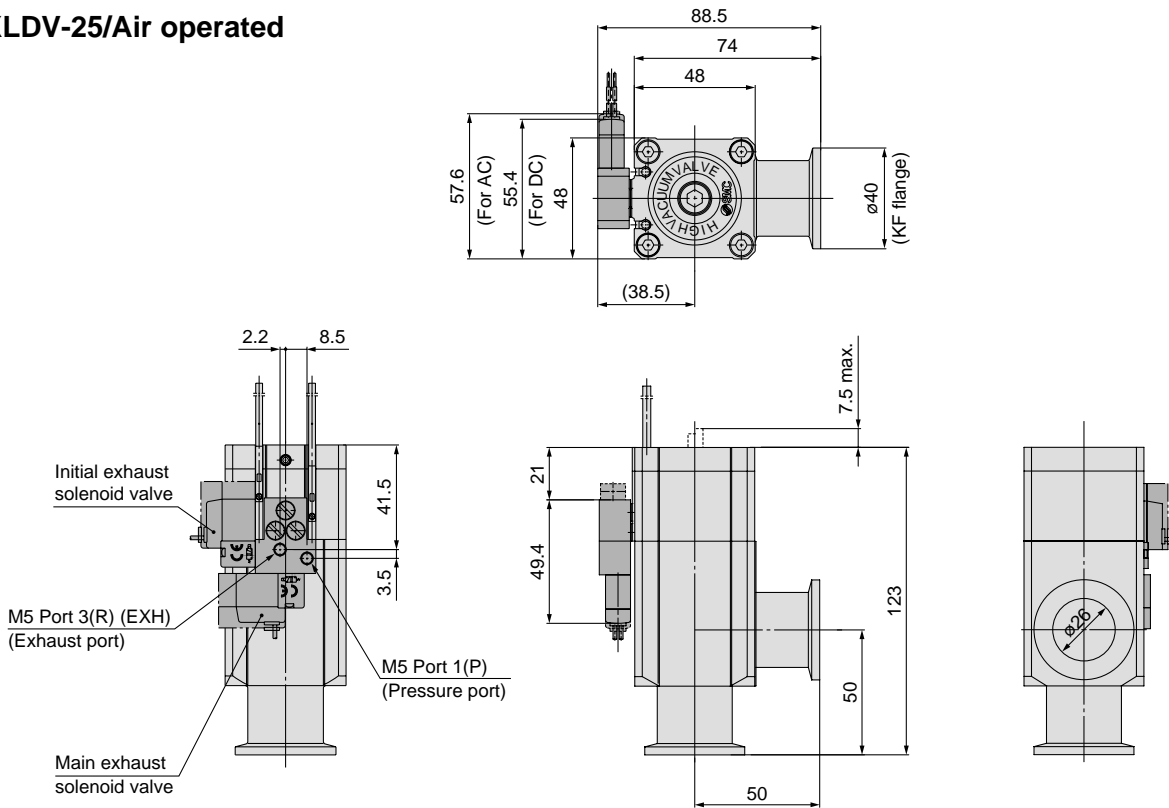
Note 2) (a), (b) and (c) in the above drawing indicate heater mounting positions.

Moreover, heater mounting positions will differ depending on the type of heater.

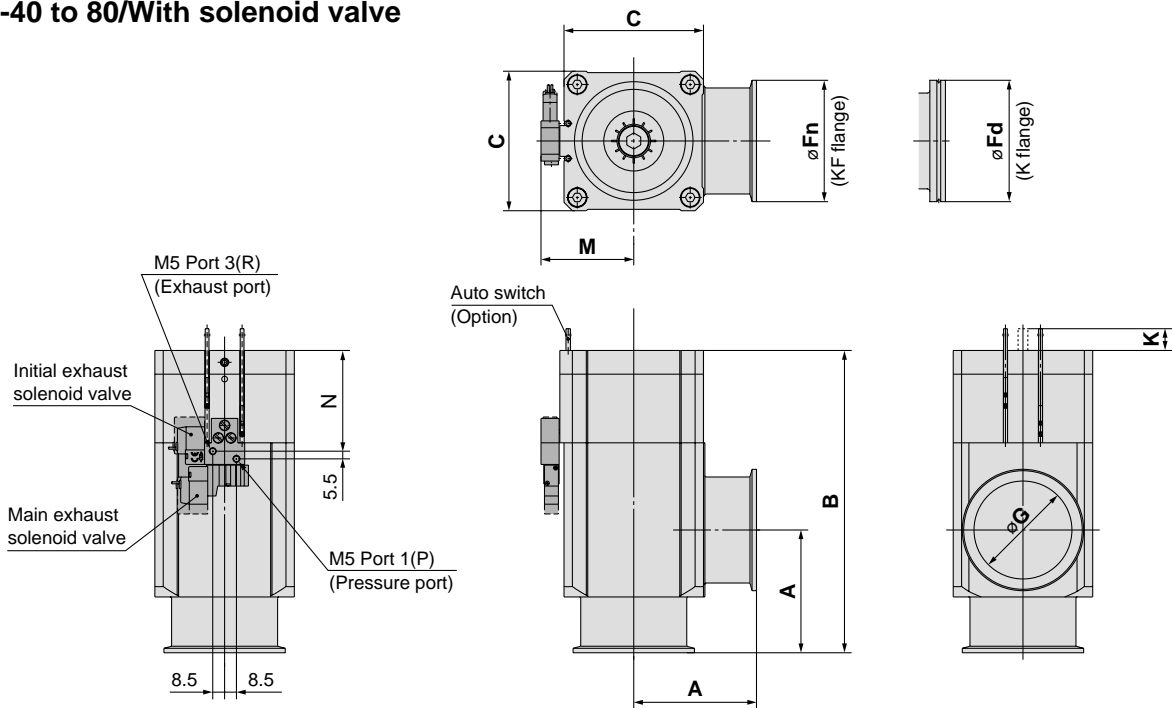
For further details, refer to mounting positions under "Replacement Heaters" on the back of page 9.

Dimensions

XLDV-25/Air operated



XLDV-40 to 80/With solenoid valve



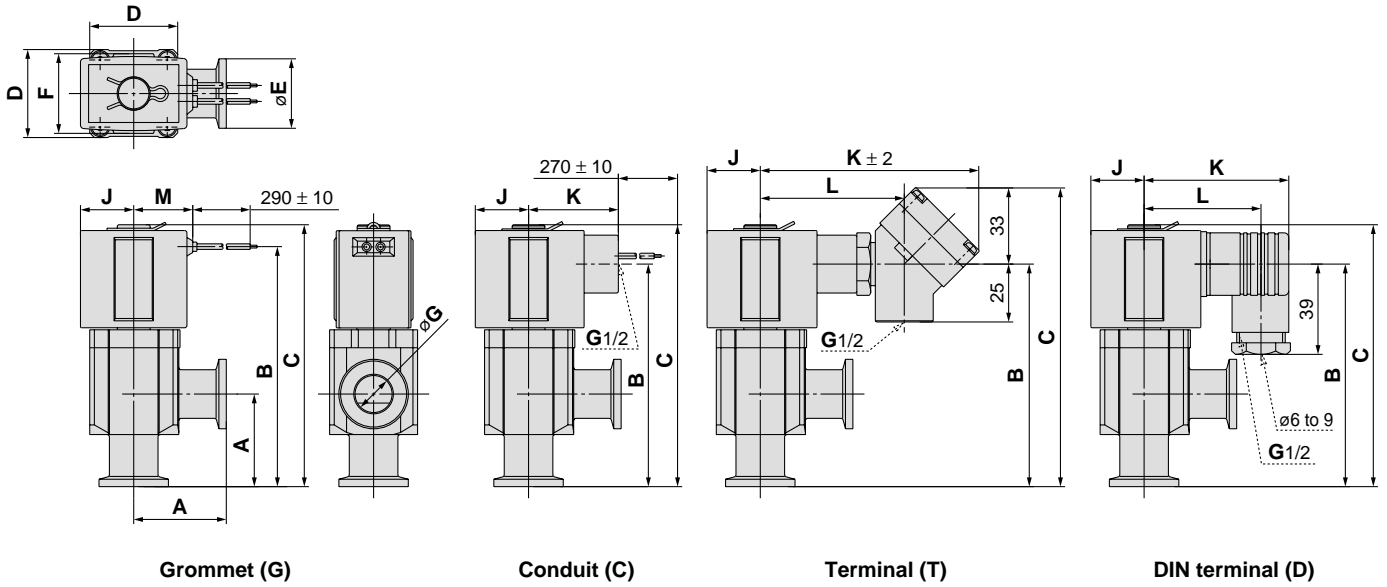
| Model | A | B | C | Fn | Fd | G | M | N | K |
|---------|----|-----|-----|-----|-----|----|------|------|------|
| XLDV-40 | 65 | 170 | 66 | 55 | — | 41 | 48.5 | 53.5 | 15 |
| XLDV-50 | 70 | 183 | 79 | 75 | — | 52 | 55 | 57.5 | 17.5 |
| XLDV-63 | 88 | 217 | 100 | 87 | 95 | 70 | 66.5 | 72.2 | 20 |
| XLDV-80 | 90 | 256 | 117 | 114 | 110 | 83 | 75 | 82.6 | 26.5 |

Note) For further details on solenoid valves, refer to the SMC solenoid valve catalog "SY100" (Best Pneumatics 2004 Vol. 4) and "SYJ300/500/700" (ES11-86).

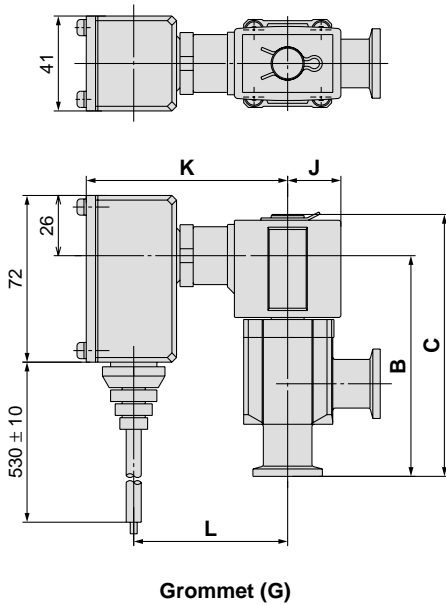
Series XLS

Dimensions

XLS/Without control power supply



XLS/With control power supply



Grommet (G)

| Model | A | B | C | D | E | F | G | J | K | L | M |
|------------|----|-------|-------|----|----|----|----|------|------|------|------|
| XLS-16-□G | 40 | 104 | 113 | 38 | 30 | 35 | 17 | 23 | — | — | 25.5 |
| XLS-16-□C | | 96 | | | | | | | 41 | — | — |
| XLS-16-□D | | | | | | | | | 60 | 48 | — |
| XLS-16-□T | | | | | | | | | 95 | 62 | — |
| XLS-25-□G | 50 | 128.5 | 138.5 | 48 | 40 | 40 | 26 | 25.5 | — | — | 28 |
| XLS-25-□C | | 121.5 | | | | | | | 43 | — | — |
| XLS-25-□D | | 120.5 | | | | | | | 63 | 51 | — |
| XLS-25-□T | | 121.5 | | | | | | | 97 | 66 | — |
| XLS-16-P□G | 40 | 96 | 113 | 38 | 30 | 35 | 17 | 23 | 87 | 66.5 | — |
| XLS-25-P□G | 50 | 121.5 | 138.5 | 48 | 40 | 40 | 26 | 25.5 | 89.5 | 69 | — |

(mm)