

XMC1200

Microcontroller Series
for Industrial Applications

XMC1000 Family

ARM[®] Cortex[™]-M0
32-bit processor core

Data Sheet

V1.4 2014-05

Edition 2014-05

**Published by
Infineon Technologies AG
81726 Munich, Germany**

**© 2014 Infineon Technologies AG
All Rights Reserved.**

Legal Disclaimer

The information given in this document shall in no event be regarded as a guarantee of conditions or characteristics. With respect to any examples or hints given herein, any typical values stated herein and/or any information regarding the application of the device, Infineon Technologies hereby disclaims any and all warranties and liabilities of any kind, including without limitation, warranties of non-infringement of intellectual property rights of any third party.

Information

For further information on technology, delivery terms and conditions and prices, please contact the nearest Infineon Technologies Office (www.infineon.com).

Warnings

Due to technical requirements, components may contain dangerous substances. For information on the types in question, please contact the nearest Infineon Technologies Office.

Infineon Technologies components may be used in life-support devices or systems only with the express written approval of Infineon Technologies, if a failure of such components can reasonably be expected to cause the failure of that life-support device or system or to affect the safety or effectiveness of that device or system. Life support devices or systems are intended to be implanted in the human body or to support and/or maintain and sustain and/or protect human life. If they fail, it is reasonable to assume that the health of the user or other persons may be endangered.

XMC1200

Microcontroller Series
for Industrial Applications

XMC1000 Family

ARM[®] Cortex[™]-M0
32-bit processor core

Data Sheet

V1.4 2014-05

XMC1200 Data Sheet

Revision History: V1.4 2014-05

Previous Version: V1.3

| Page | Subjects |
|----------------|--|
| Page 11 | ADC channels of Table 2 is updated. Table 3 is added. |
| Page 12 | Description for Chip Identification Number of Section 1.4 is updated. |
| Page 10 | A new variant XMC1200-T038 is included in Table 1, Table 2 and Table 4. |
| Page 20 | The pad type is corrected for P1.6 in Table 6. |
| Page 32 | The t_{C12} , f_{C12} , t_{C10} , f_{C10} , t_{C8} and f_{C8} parameters are updated in Table 12. |
| Page 35 | Figure 9 is added. |
| Page 38 | The t_{SR} and t_{TSAL} parameters are updated in Table 15. |
| Page 41 | Parameter name for t_{PSE} is updated. The $N_{WSFLASH}$ parameter and test condition for t_{RET} are added to Table 18. |
| Page 44 | The min value for V_{DDPBO} parameter is added to Table 20. Footnote 1 is updated. |
| Page 46 | The Δf_{LTT} parameter is added to Table 21. |
| Page 47 | Figure 15 is added. |

Trademarks

C166™, TriCore™ and DAVE™ are trademarks of Infineon Technologies AG.

ARM®, ARM Powered® and AMBA® are registered trademarks of ARM, Limited.

Cortex™, CoreSight™, ETM™, Embedded Trace Macrocell™ and Embedded Trace Buffer™ are trademarks of ARM, Limited.

We Listen to Your Comments

Is there any information in this document that you feel is wrong, unclear or missing? Your feedback will help us to continuously improve the quality of this document. Please send your proposal (including a reference to this document) to:

mcdocu.comments@infineon.com



Table of Contents

| | | |
|----------|--|-----------|
| 1 | Summary of Features | 8 |
| 1.1 | Ordering Information | 10 |
| 1.2 | Device Types | 10 |
| 1.3 | Device Type Features | 11 |
| 1.4 | Chip Identification Number | 12 |
| 2 | General Device Information | 14 |
| 2.1 | Logic Symbols | 14 |
| 2.2 | Pin Configuration and Definition | 16 |
| 2.2.1 | Package Pin Summary | 20 |
| 2.2.2 | Port I/O Functions | 23 |
| 3 | Electrical Parameter | 26 |
| 3.1 | General Parameters | 26 |
| 3.1.1 | Parameter Interpretation | 26 |
| 3.1.2 | Absolute Maximum Ratings | 27 |
| 3.1.3 | Operating Conditions | 28 |
| 3.2 | DC Parameters | 29 |
| 3.2.1 | Input/Output Characteristics | 29 |
| 3.2.2 | Analog to Digital Converters (ADC) | 32 |
| 3.2.3 | Out of Range Comparator (ORC) Characteristics | 36 |
| 3.2.4 | Analog Comparator Characteristics | 37 |
| 3.2.5 | Temperature Sensor Characteristics | 38 |
| 3.2.6 | Power Supply Current | 39 |
| 3.2.7 | Flash Memory Parameters | 41 |
| 3.3 | AC Parameters | 42 |
| 3.3.1 | Testing Waveforms | 42 |
| 3.3.2 | Output Rise/Fall Times | 43 |
| 3.3.3 | Power-Up and Supply Threshold Characteristics | 44 |
| 3.3.4 | On-Chip Oscillator Characteristics | 46 |
| 3.3.5 | Serial Wire Debug Port (SW-DP) Timing | 48 |
| 3.3.6 | SPD Timing Requirements | 49 |
| 3.3.7 | Peripheral Timings | 50 |
| 3.3.7.1 | Synchronous Serial Interface (USIC SSC) Timing | 50 |
| 3.3.7.2 | Inter-IC (IIC) Interface Timing | 53 |
| 3.3.7.3 | Inter-IC Sound (IIS) Interface Timing | 55 |
| 4 | Package and Reliability | 57 |
| 4.1 | Package Parameters | 57 |
| 4.1.1 | Thermal Considerations | 57 |
| 4.2 | Package Outlines | 59 |



5 Quality Declaration 64

About this Document

This Data Sheet is addressed to embedded hardware and software developers. It provides the reader with detailed descriptions about the ordering designations, available features, electrical and physical characteristics of the XMC1200 series devices.

The document describes the characteristics of a superset of the XMC1200 series devices. For simplicity, the various device types are referred to by the collective term XMC1200 throughout this document.

XMC1000 Family User Documentation

The set of user documentation includes:

- **Reference Manual**
 - describes the functionality of the superset of devices.
- **Data Sheets**
 - list the complete ordering designations, available features and electrical characteristics of derivative devices.
- **Errata Sheets**
 - list deviations from the specifications given in the related Reference Manual or Data Sheets. Errata Sheets are provided for the superset of devices.

Attention: Please consult all parts of the documentation set to attain consolidated knowledge about your device.

Application related guidance is provided by **Users Guides** and **Application Notes**.

Please refer to <http://www.infineon.com/xmc1000> to get access to the latest versions of those documents.

1 Summary of Features

The XMC1200 devices are members of the XMC1000 family of microcontrollers based on the ARM Cortex-M0 processor core. The XMC1200 series devices are optimized for LED Lighting and Human-Machine interface (HMI) applications.

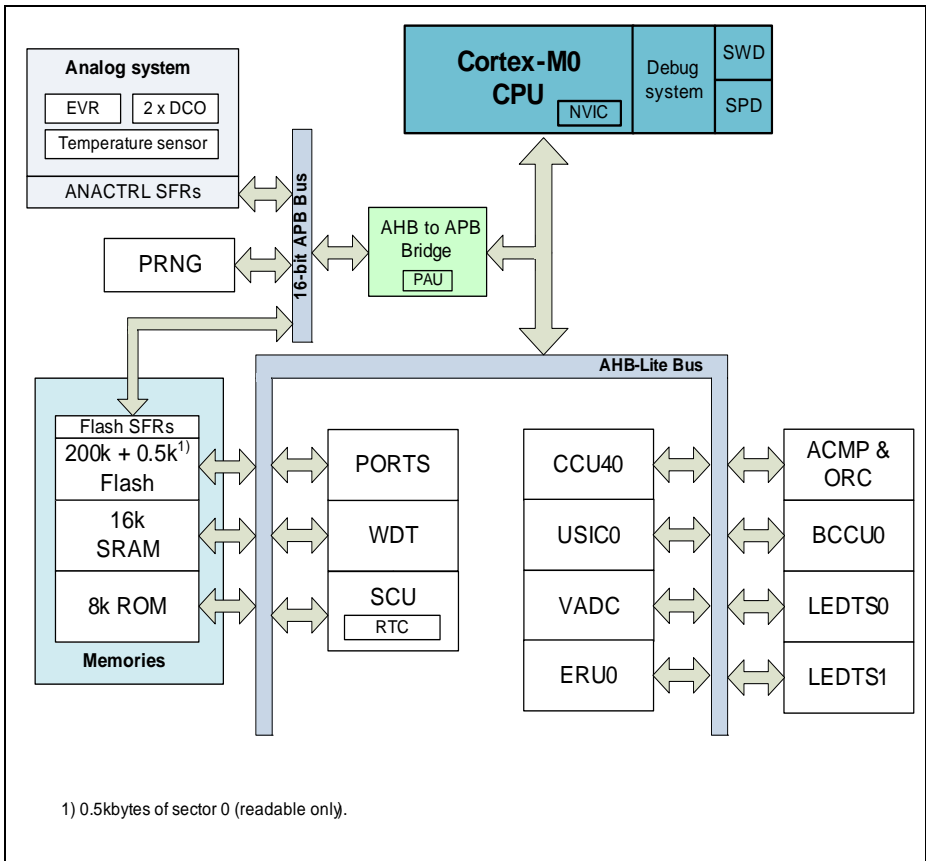


Figure 1 System Block Diagram

CPU Subsystem

- CPU Core
 - High Performance 32-bit ARM Cortex-M0 CPU
 - Most of 16-bit Thumb instruction set
 - Subset of 32-bit Thumb2 instruction set

Summary of Features

- High code density with 32-bit performance
- Single cycle 32-bit hardware multiplier
- System timer (SysTick) for Operating System support
- Ultra low power consumption
- Nested Vectored Interrupt Controller (NVIC)
- Event Request Unit (ERU) for programmable processing of external and internal service requests

On-Chip Memories

- 8 kbytes on-chip ROM
- 16 kbytes on-chip high-speed SRAM
- up to 200 kbytes on-chip Flash program and data memory

Communication Peripherals

- Two Universal Serial Interface Channels (USIC), usable as UART, double-SPI, quad-SPI, IIC, IIS and LIN interfaces
- LED and Touch-Sense Controller (LEDTS) for Human-Machine interface

Analog Frontend Peripherals

- A/D Converters, up to 12 channels, includes 2 sample and hold stages and a fast 12-bit analog to digital converter with adjustable gain
- Up to 8 channels of out of range comparators (ORC)
- Up to 3 fast analog comparators (ACMP)
- Temperature Sensor (TSE)

Industrial Control Peripherals

- Capture/Compare Units 4 (CCU4) for use as general purpose timers
- Brightness and Colour Control Unit (BCCU), for LED color and dimming application

System Control

- Window Watchdog Timer (WDT) for safety sensitive applications
- Real Time Clock module with alarm support (RTC)
- System Control Unit (SCU) for system configuration and control
- Pseudo random number generator (PRNG), provides random data with fast generation times

Input/Output Lines

- Programmable port driver control module (PORTS)
- Individual bit addressability
- Tri-stated in input mode

- Push/pull or open drain output mode
- Configurable pad hysteresis

On-Chip Debug Support

- Support for debug features: 4 breakpoints, 2 watchpoints
- Various interfaces: ARM serial wire debug (SWD), single pin debug (SPD)

1.1 Ordering Information

The ordering code for an Infineon microcontroller provides an exact reference to a specific product. The code "XMC1<DDD>-<Z><PPP><T><FFFF>" identifies:

- <DDD> the derivatives function set
- <Z> the package variant
 - T: TSSOP
 - Q: VQFN
- <PPP> package pin count
- <T> the temperature range:
 - F: -40°C to 85°C
 - X: -40°C to 105°C
- <FFFF> the Flash memory size.

For ordering codes for the XMC1200 please contact your sales representative or local distributor.

This document describes several derivatives of the XMC1200 series, some descriptions may not apply to a specific product. Please see [Table 1](#).

For simplicity the term **XMC1200** is used for all derivatives throughout this document.

1.2 Device Types

These device types are available and can be ordered through Infineon's direct and/or distribution channels.

Table 1 Synopsis of XMC1200 Device Types

| Derivative | Package | Flash Kbytes | SRAM Kbytes |
|-------------------|----------------|---------------------|--------------------|
| XMC1201-T038F0016 | PG-TSSOP-38-9 | 16 | 16 |
| XMC1201-T038F0032 | PG-TSSOP-38-9 | 32 | 16 |
| XMC1201-T038F0064 | PG-TSSOP-38-9 | 64 | 16 |
| XMC1201-T038F0128 | PG-TSSOP-38-9 | 128 | 16 |
| XMC1201-T038F0200 | PG-TSSOP-38-9 | 200 | 16 |

Summary of Features

Table 1 Synopsis of XMC1200 Device Types (cont'd)

| Derivative | Package | Flash Kbytes | SRAM Kbytes |
|-------------------|----------------|---------------------|--------------------|
| XMC1200-T038F0200 | PG-TSSOP-38-9 | 200 | 16 |
| XMC1202-T028X0016 | PG-TSSOP-28-16 | 16 | 16 |
| XMC1202-T028X0032 | PG-TSSOP-28-16 | 32 | 16 |
| XMC1202-T016X0016 | PG-TSSOP-16-8 | 16 | 16 |
| XMC1202-T016X0032 | PG-TSSOP-16-8 | 32 | 16 |
| XMC1202-Q024X0016 | PG-VQFN-24-19 | 16 | 16 |
| XMC1202-Q024X0032 | PG-VQFN-24-19 | 32 | 16 |
| XMC1201-Q040F0016 | PG-VQFN-40-13 | 16 | 16 |
| XMC1201-Q040F0032 | PG-VQFN-40-13 | 32 | 16 |
| XMC1201-Q040F0064 | PG-VQFN-40-13 | 64 | 16 |
| XMC1201-Q040F0128 | PG-VQFN-40-13 | 128 | 16 |
| XMC1201-Q040F0200 | PG-VQFN-40-13 | 200 | 16 |
| XMC1202-Q040X0016 | PG-VQFN-40-13 | 16 | 16 |
| XMC1202-Q040X0032 | PG-VQFN-40-13 | 32 | 16 |

1.3 Device Type Features

The following table lists the available features per device type.

Table 2 Features of XMC1200 Device Types¹⁾

| Derivative | ADC channel | ACMP | BCCU | LEDTS |
|-------------------|--------------------|-------------|-------------|--------------|
| XMC1200-T038 | 16 | 3 | 1 | 2 |
| XMC1201-T038 | 16 | - | - | 2 |
| XMC1202-T028 | 14 | 3 | 1 | - |
| XMC1202-T016 | 11 | 2 | 1 | - |
| XMC1202-Q024 | 13 | 3 | 1 | - |
| XMC1201-Q040 | 16 | - | - | 2 |
| XMC1202-Q040 | 16 | 3 | 1 | - |

1) Features that are not included in this table are available in all the derivatives

Table 3 ADC Channels ¹⁾

| Package | VADC0 G0 | VADC0 G1 |
|-------------|----------|-----------------|
| PG-TSSOP-16 | CH0..CH5 | CH0..CH4 |
| PG-TSSOP-28 | CH0..CH7 | CH0 .. CH4, CH7 |
| PG-TSSOP-38 | CH0..CH7 | CH0..CH7 |
| PG-VQFN-24 | CH0..CH7 | CH0..CH4 |
| PG-VQFN-40 | CH0..CH7 | CH1, CH5 .. CH7 |

1) Some pins in a package may be connected to more than one channel. For the detailed mapping see the Port I/O Function table.

1.4 Chip Identification Number

The Chip Identification Number allows software to identify the marking. It is a 8 words value with the most significant 7 words stored in Flash configuration sector 0 (CS0) at address location : 1000 0F00_H (MSB) - 1000 0F1B_H (LSB). The least significant word and most significant word of the Chip Identification Number are the value of registers DBGROMID and IDCHIP, respectively.

Table 4 XMC1200 Chip Identification Number

| Derivative | Value | Marking |
|-------------------|---|---------|
| XMC1201-T038F0016 | 00012012 01CF00FF 00001FF7 00006000 00000B00 00001000 00005000 101ED083 _H | AA |
| XMC1201-T038F0032 | 00012012 01CF00FF 00001FF7 00006000 00000B00 00001000 00009000 101ED083 _H | AA |
| XMC1201-T038F0064 | 00012012 01CF00FF 00001FF7 00006000 00000B00 00001000 00011000 101ED083 _H | AA |
| XMC1201-T038F0128 | 00012012 01CF00FF 00001FF7 00006000 00000B00 00001000 00021000 101ED083 _H | AA |
| XMC1201-T038F0200 | 00012012 01CF00FF 00001FF7 00006000 00000B00 00001000 00033000 101ED083 _H | AA |
| XMC1200-T038F0200 | 00012012 01CF00FF 00001FF7 0000E000 00000B00 00001000 00033000 101ED083 _H | AA |
| XMC1202-T028X0016 | 00012023 01CF00FF 00001FF7 00008000 00000B00 00001000 00005000 101ED083 _H | AA |
| XMC1202-T028X0032 | 00012023 01CF00FF 00001FF7 00008000 00000B00 00001000 00009000 101ED083 _H | AA |

Summary of Features

Table 4 XMC1200 Chip Identification Number (cont'd)

| Derivative | Value | Marking |
|-------------------|---|----------------|
| XMC1202-T016X0016 | 00012033 01CF00FF 00001FF7 00008000 00000B00 00001000 00005000 101ED083 _H | AA |
| XMC1202-T016X0032 | 00012033 01CF00FF 00001FF7 00008000 00000B00 00001000 00009000 101ED083 _H | AA |
| XMC1202-Q024X0016 | 00012063 01CF00FF 00001FF7 00008000 00000B00 00001000 00005000 101ED083 _H | AA |
| XMC1202-Q024X0032 | 00012063 01CF00FF 00001FF7 00008000 00000B00 00001000 00009000 101ED083 _H | AA |
| XMC1201-Q040F0016 | 00012042 01CF00FF 00001FF7 00006000 00000B00 00001000 00005000 101ED083 _H | AA |
| XMC1201-Q040F0032 | 00012042 01CF00FF 00001FF7 00006000 00000B00 00001000 00009000 101ED083 _H | AA |
| XMC1201-Q040F0064 | 00012042 01CF00FF 00001FF7 00006000 00000B00 00001000 00011000 101ED083 _H | AA |
| XMC1201-Q040F0128 | 00012042 01CF00FF 00001FF7 00006000 00000B00 00001000 00021000 101ED083 _H | AA |
| XMC1201-Q040F0200 | 00012042 01CF00FF 00001FF7 00006000 00000B00 00001000 00033000 101ED083 _H | AA |
| XMC1202-Q040X0016 | 00012043 01CF00FF 00001FF7 00008000 00000B00 00001000 00005000 101ED083 _H | AA |
| XMC1202-Q040X0032 | 00012043 01CF00FF 00001FF7 00008000 00000B00 00001000 00009000 101ED083 _H | AA |

2 General Device Information

This section summarizes the logic symbols and package pin configurations with a detailed list of the functional I/O mapping.

2.1 Logic Symbols

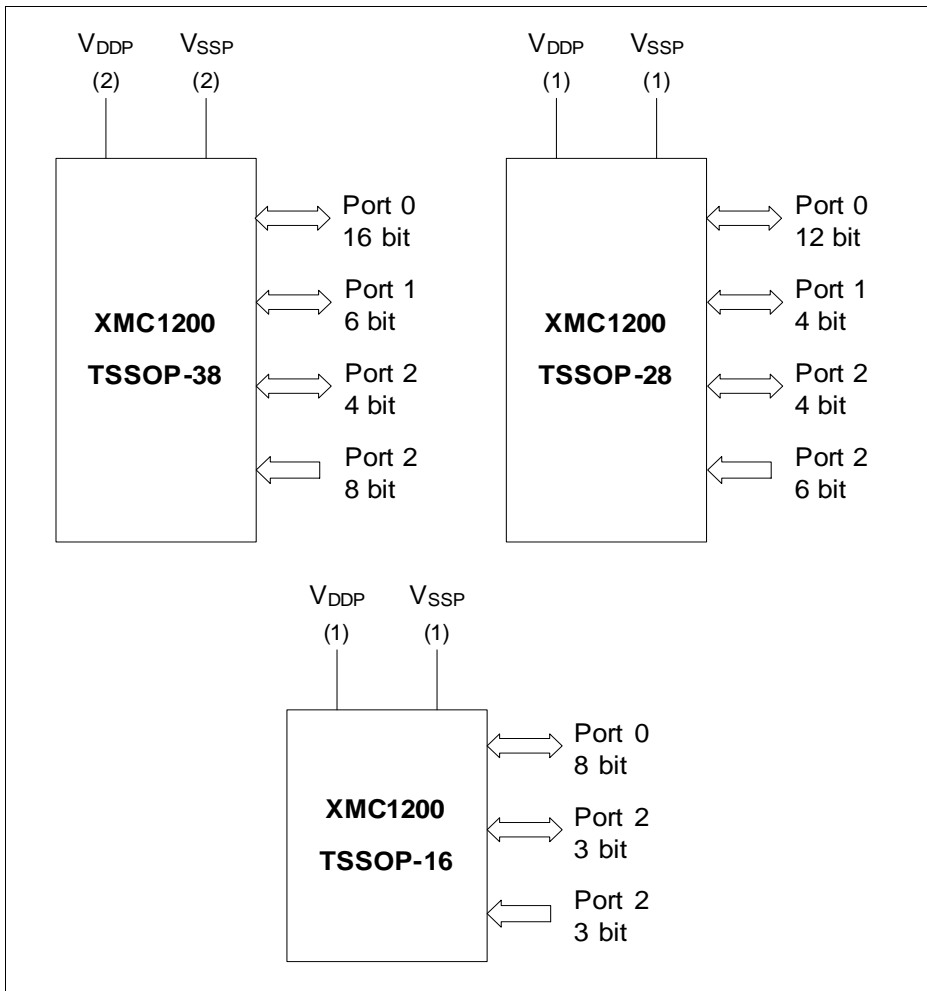


Figure 2 XMC1200 Logic Symbol for TSSOP-38, TSSOP-28 and TSSOP-16

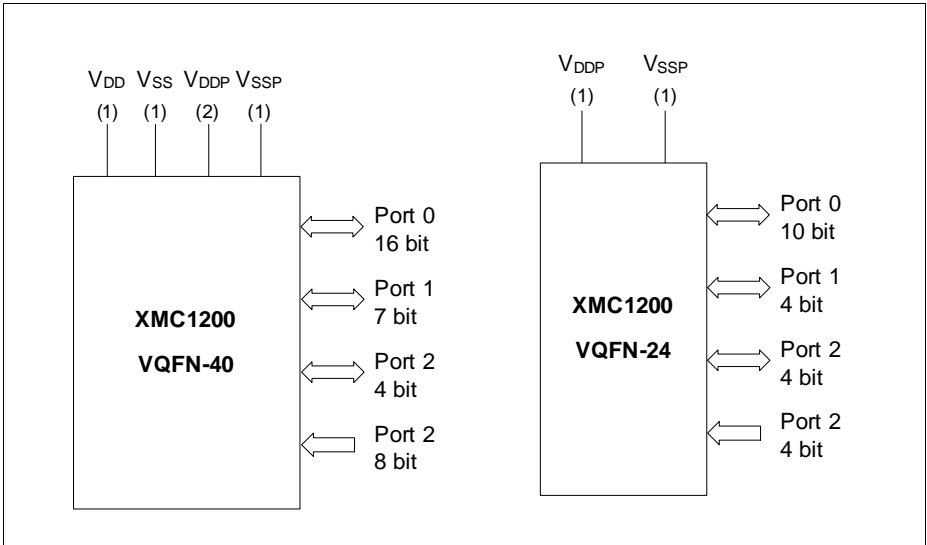


Figure 3 XMC1200 Logic Symbol for VQFN-24 and VQFN-40

2.2 Pin Configuration and Definition

The following figures summarize all pins, showing their locations on the different packages.

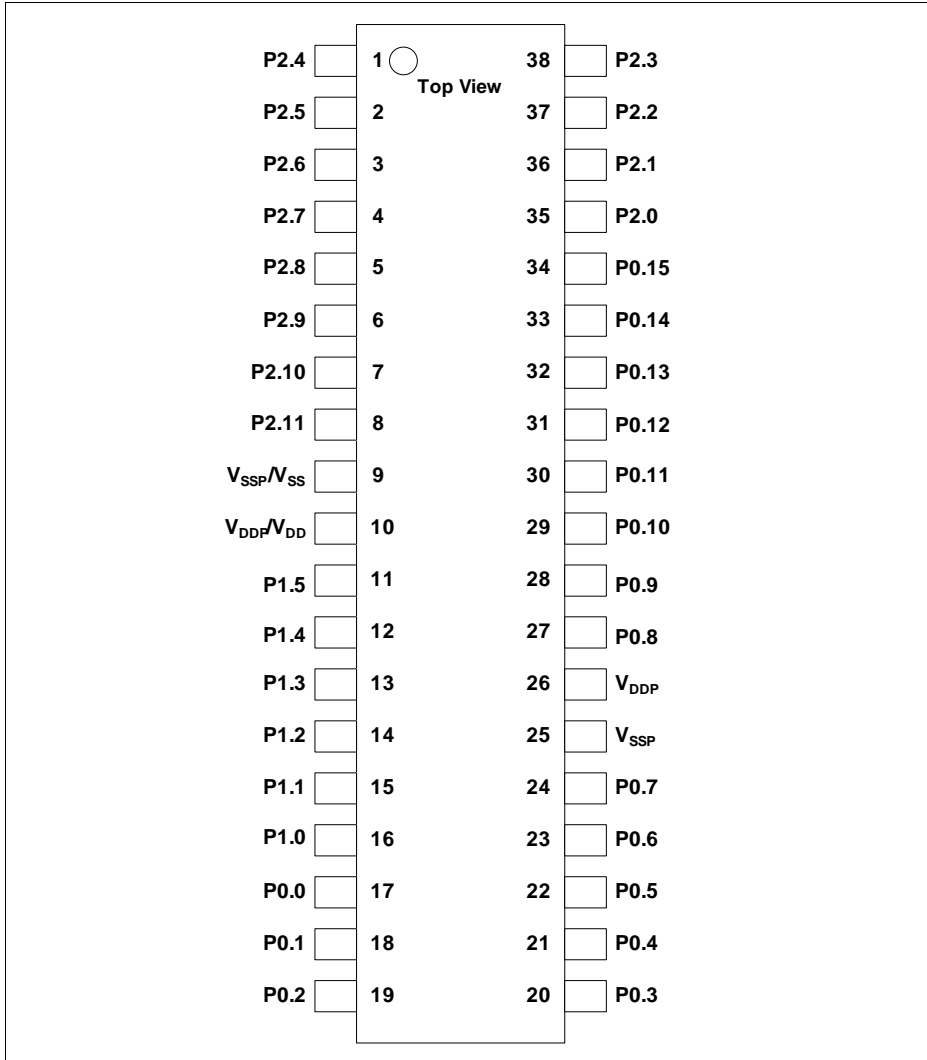


Figure 4 XMC1200 PG-TSSOP-38 Pin Configuration (top view)

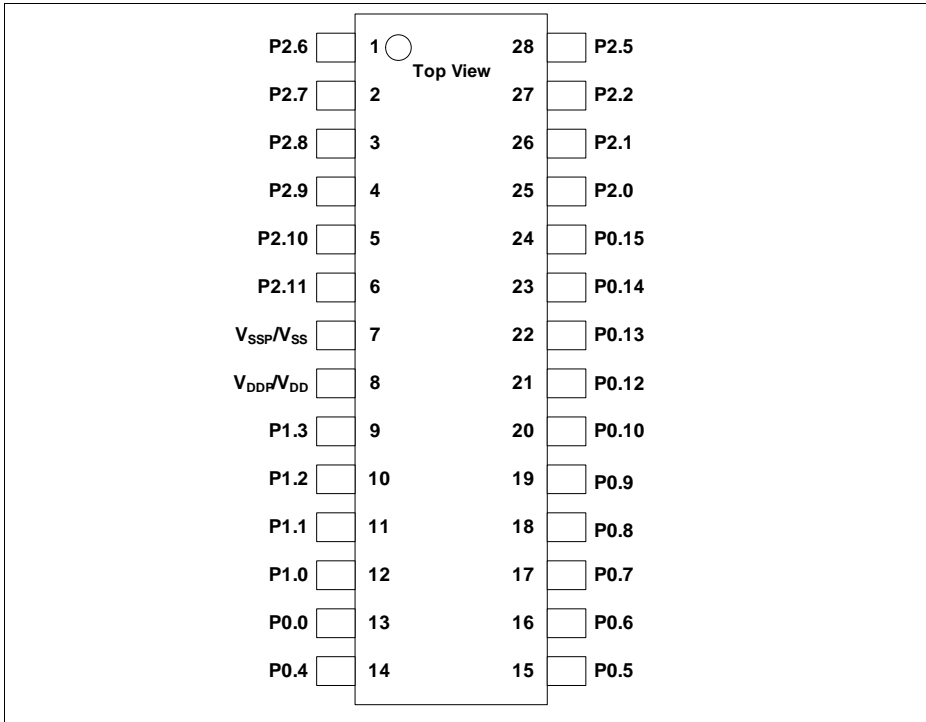


Figure 5 XMC1200 PG-TSSOP-28 Pin Configuration (top view)

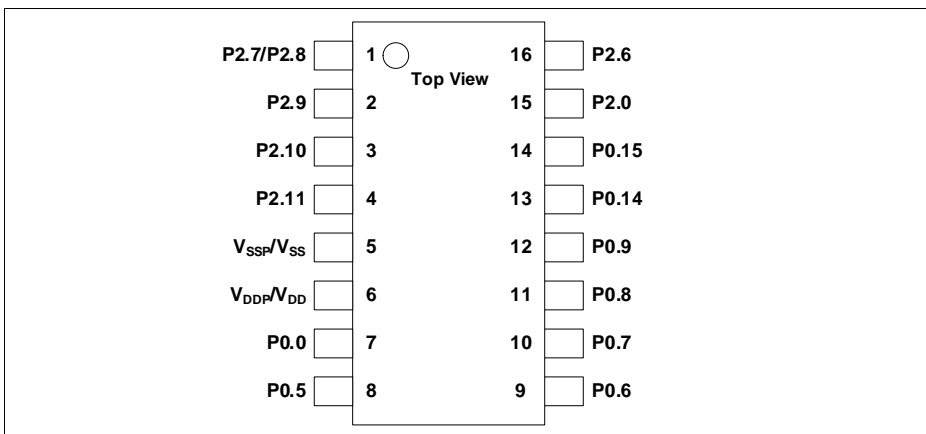


Figure 6 XMC1200 PG-TSSOP-16 Pin Configuration (top view)

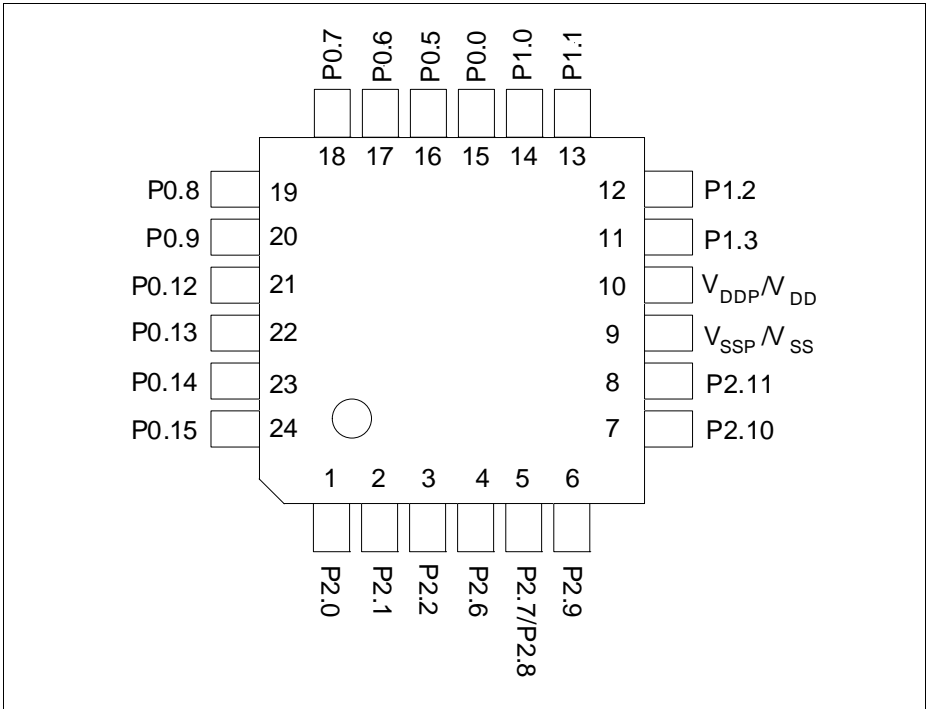


Figure 7 XMC1200 PG-VQFN-24 Pin Configuration (top view)

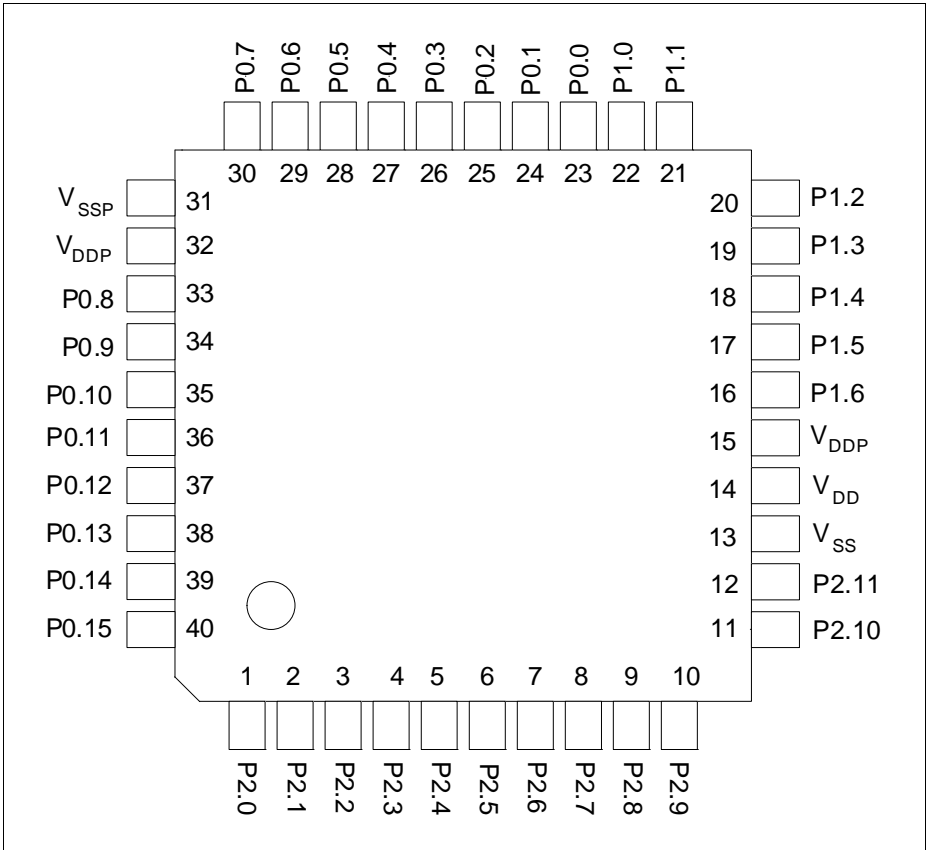


Figure 8 XMC1200 PG-VQFN-40 Pin Configuration (top view)

2.2.1 Package Pin Summary

The following general building block is used to describe each pin:

Table 5 Package Pin Mapping Description

| Function | Package A | Package B | ... | Pad Type |
|----------|-----------|-----------|-----|-----------|
| Px.y | N | N | | Pad Class |

The table is sorted by the “Function” column, starting with the regular Port pins (Px.y), followed by the supply pins.

The following columns, titled with the supported package variants, lists the package pin number to which the respective function is mapped in that package.

The “Pad Type” indicates the employed pad type:

- STD_INOUT (standard bi-directional pads)
- STD_INOUT/AN (standard bi-directional pads with analog input)
- High Current (high current bi-directional pads)
- STD_IN/AN (standard input pads with analog input)
- Power (power supply)

Details about the pad properties are defined in the Electrical Parameters.

Table 6 Package Pin Mapping

| Function | VQFN 40 | TSSOP 38 | TSSOP 28 | VQFN 24 | TSSOP 16 | Pad Type | Notes |
|----------|------------|-------------|-------------|------------|-------------|-----------|-------|
| P0.0 | 23 | 17 | 13 | 15 | 7 | STD_INOUT | |
| P0.1 | 24 | 18 | - | - | - | STD_INOUT | |
| P0.2 | 25 | 19 | - | - | - | STD_INOUT | |
| P0.3 | 26 | 20 | - | - | - | STD_INOUT | |
| P0.4 | 27 | 21 | 14 | - | - | STD_INOUT | |
| P0.5 | 28 | 22 | 15 | 16 | 8 | STD_INOUT | |
| P0.6 | 29 | 23 | 16 | 17 | 9 | STD_INOUT | |
| P0.7 | 30 | 24 | 17 | 18 | 10 | STD_INOUT | |
| P0.8 | 33 | 27 | 18 | 19 | 11 | STD_INOUT | |
| P0.9 | 34 | 28 | 19 | 20 | 12 | STD_INOUT | |
| P0.10 | 35 | 29 | 20 | - | - | STD_INOUT | |
| P0.11 | 36 | 30 | - | - | - | STD_INOUT | |
| P0.12 | 37 | 31 | 21 | 21 | - | STD_INOUT | |

General Device Information

Table 6 Package Pin Mapping

| Function | VQFN 40 | TSSOP 38 | TSSOP 28 | VQFN 24 | TSSOP 16 | Pad Type | Notes |
|----------|------------|-------------|-------------|------------|-------------|------------------|-------------------------------------|
| P0.13 | 38 | 32 | 22 | 22 | - | STD_INOUT | |
| P0.14 | 39 | 33 | 23 | 23 | 13 | STD_INOUT | |
| P0.15 | 40 | 34 | 24 | 24 | 14 | STD_INOUT | |
| P1.0 | 22 | 16 | 12 | 14 | - | High Current | |
| P1.1 | 21 | 15 | 11 | 13 | - | High Current | |
| P1.2 | 20 | 14 | 10 | 12 | - | High Current | |
| P1.3 | 19 | 13 | 9 | 11 | - | High Current | |
| P1.4 | 18 | 12 | - | - | - | High Current | |
| P1.5 | 17 | 11 | - | - | - | High Current | |
| P1.6 | 16 | - | - | - | - | STD_INOUT | |
| P2.0 | 1 | 35 | 25 | 1 | 15 | STD_INOUT /AN | |
| P2.1 | 2 | 36 | 26 | 2 | - | STD_INOUT /AN | |
| P2.2 | 3 | 37 | 27 | 3 | - | STD_IN/AN | |
| P2.3 | 4 | 38 | - | - | - | STD_IN/AN | |
| P2.4 | 5 | 1 | - | - | - | STD_IN/AN | |
| P2.5 | 6 | 2 | 28 | - | - | STD_IN/AN | |
| P2.6 | 7 | 3 | 1 | 4 | 16 | STD_IN/AN | |
| P2.7 | 8 | 4 | 2 | 5 | 1 | STD_IN/AN | |
| P2.8 | 9 | 5 | 3 | 5 | 1 | STD_IN/AN | |
| P2.9 | 10 | 6 | 4 | 6 | 2 | STD_IN/AN | |
| P2.10 | 11 | 7 | 5 | 7 | 3 | STD_INOUT /AN | |
| P2.11 | 12 | 8 | 6 | 8 | 4 | STD_INOUT /AN | |
| VSS | 13 | 9 | 7 | 9 | 5 | Power | Supply GND, ADC reference GND |

General Device Information

Table 6 Package Pin Mapping

| Function | VQFN 40 | TSSOP 38 | TSSOP 28 | VQFN 24 | TSSOP 16 | Pad Type | Notes |
|----------|------------|-------------|-------------|------------|-------------|----------|--|
| VDD | 14 | 10 | 8 | 10 | 6 | Power | Supply VDD, ADC reference voltage/ORC reference voltage. VDD has to be supplied with the same voltage as VDDP |
| VDDP | 15 | 10 | 8 | 10 | 6 | Power | I/O port supply |
| VSSP | 31 | 25 | - | - | - | Power | I/O port ground |
| VDDP | 32 | 26 | - | - | - | Power | I/O port supply |
| VSSP | Exp. Pad | - | - | Exp. Pad | - | Power | Exposed Die Pad The exposed die pad is connected internally to VSSP. For proper operation, it is mandatory to connect the exposed pad to the board ground. For thermal aspects, please refer to the Package and Reliability chapter. |

2.2.2 Port I/O Functions

The following general building block is used to describe each PORT pin:

Table 7 Port I/O Function Description

| Function | Outputs | | | Inputs | | |
|----------|----------|----------|----------|----------|----------|----------|
| | ALT1 | ALTn | HWO0 | HWI0 | Input | Input |
| P0.0 | | MODA.OUT | MODB.OUT | MODB.INA | MODC.INA | |
| Pn.y | MODA.OUT | | | | MODA.INA | MODC.INB |

Pn.y is the port pin name, defining the control and data bits/registers associated with it. As GPIO, the port is under software control. Its input value is read via Pn_IN.y, Pn_OUT defines the output value.

Up to seven alternate output functions (ALT1/2/3/4/5/6/7) can be mapped to a single port pin, selected by Pn_IOCR.PC. The output value is directly driven by the respective module, with the pin characteristics controlled by the port registers (within the limits of the connected pad).

The port pin input can be connected to multiple peripherals. Most peripherals have an input multiplexer to select between different possible input sources.

The input path is also active while the pin is configured as output. This allows to feedback an output to on-chip resources without wasting an additional external pin.

By Pn_HWSEL, it is possible to select between different hardware “masters” (HWO0/HWI0, HWO1/HWI1). The selected peripheral can take control of the pin(s). Hardware control overrules settings in the respective port pin registers.

Table 8 Port I/O Functions

| Function | Outputs | | | | | | | | | Inputs | | | | | | | |
|----------|--------------------------|-----------------------|----------------|-----------------------|------|-----------------------|--------------------------|---------------------|---------------------|-----------------|---------------------|-------------------|------------|------------|--------------------|--------------------|--------------------|
| | ALT1 | ALT2 | ALT3 | ALT4 | ALT5 | ALT6 | ALT7 | HWO0 | HWO1 | HWO0 | HWO1 | Input | Input | Input | Input | Input | Input |
| P0.0 | ERU0. PDOUT0 | LEDS0. LINE7 | ERU0. GOUT0 | CCU40. OUT0 | | USIC0_CH0. SELO0 | USIC0_CH1. SELO0 | LEDS0. EXTENDED7 | | LEDS0. TSIN7 | LEDS0. TSIN7 | BCCU0. TRAPINB | CCU40.IN0C | | USIC0_CH0. DX2A | USIC0_CH1. DX2A | |
| P0.1 | ERU0. PDOUT1 | LEDS0. LINE6 | ERU0. GOUT1 | CCU40. OUT1 | | BCCU0. OUT8 | SCU. VDROP | LEDS0. EXTENDED6 | | LEDS0. TSIN6 | LEDS0. TSIN6 | | CCU40.IN1C | | | | |
| P0.2 | ERU0. PDOUT2 | LEDS0. LINE5 | ERU0. GOUT2 | CCU40. OUT2 | | VADC0. EMUX02 | | LEDS0. EXTENDED5 | | LEDS0. TSIN5 | LEDS0. TSIN5 | | CCU40.IN2C | | | | |
| P0.3 | ERU0. PDOUT3 | LEDS0. LINE4 | ERU0. GOUT3 | CCU40. OUT3 | | VADC0. EMUX01 | | LEDS0. EXTENDED4 | | LEDS0. TSIN4 | LEDS0. TSIN4 | | CCU40.IN3C | | | | |
| P0.4 | BCCU0. OUT0 | LEDS0. LINE3 | LEDS0. COL3 | CCU40. OUT1 | | VADC0. EMUX00 | WWDT. SERVICE_O UT | LEDS0. EXTENDED3 | | LEDS0. TSIN3 | LEDS0. TSIN3 | | | | | | |
| P0.5 | BCCU0. OUT1 | LEDS0. LINE2 | LEDS0. COL2 | CCU40. OUT0 | | ACMP2. OUT | | LEDS0. EXTENDED2 | | LEDS0. TSIN2 | LEDS0. TSIN2 | | | | | | |
| P0.6 | BCCU0. OUT2 | LEDS0. LINE1 | LEDS0. COL1 | CCU40. OUT0 | | USIC0_CH1. MCLKOUT | USIC0_CH1. DOUT0 | LEDS0. EXTENDED1 | | LEDS0. TSIN1 | LEDS0. TSIN1 | | CCU40.IN0B | | USIC0_CH1. DX0C | | |
| P0.7 | BCCU0. OUT3 | LEDS0. LINE0 | LEDS0. COL0 | CCU40. OUT1 | | USIC0_CH0. SCLKOUT | USIC0_CH1. DOUT0 | LEDS0. EXTENDED0 | | LEDS0. TSIN0 | LEDS0. TSIN0 | | CCU40.IN1B | | USIC0_CH0. DX1C | USIC0_CH1. DX0D | USIC0_CH1. DX1C |
| P0.8 | BCCU0. OUT4 | LEDS1. LINE0 | LEDS0. COLA | CCU40. OUT2 | | USIC0_CH0. SCLKOUT | USIC0_CH1. SCLKOUT | LEDS1. EXTENDED0 | | LEDS1. TSIN0 | LEDS1. TSIN0 | | CCU40.IN2B | | USIC0_CH0. DX1B | USIC0_CH1. DX1B | |
| P0.9 | BCCU0. OUT5 | LEDS1. LINE1 | LEDS0. COL6 | CCU40. OUT3 | | USIC0_CH0. SELO0 | USIC0_CH1. SELO0 | LEDS1. EXTENDED1 | | LEDS1. TSIN1 | LEDS1. TSIN1 | | CCU40.IN3B | | USIC0_CH0. DX2B | USIC0_CH1. DX2B | |
| P0.10 | BCCU0. OUT6 | LEDS1. LINE2 | LEDS0. COL5 | ACMP0. OUT | | USIC0_CH0. SELO1 | USIC0_CH1. SELO1 | LEDS1. EXTENDED2 | | LEDS1. TSIN2 | LEDS1. TSIN2 | | | | USIC0_CH0. DX2C | USIC0_CH1. DX2C | |
| P0.11 | BCCU0. OUT7 | LEDS1. LINE3 | LEDS0. COL4 | USIC0_CH0. MCLKOUT | | USIC0_CH0. SELO2 | USIC0_CH1. SELO2 | LEDS1. EXTENDED3 | | LEDS1. TSIN3 | LEDS1. TSIN3 | | | | USIC0_CH0. DX2D | USIC0_CH1. DX2D | |
| P0.12 | BCCU0. OUT8 | LEDS1. LINE4 | LEDS0. COL3 | LEDS1. COL3 | | USIC0_CH0. SELO3 | | LEDS1. EXTENDED4 | | LEDS1. TSIN4 | LEDS1. TSIN4 | BCCU0. TRAPINA | CCU40.IN0A | CCU40.IN1A | CCU40.IN2A | CCU40.IN3A | USIC0_CH0. DX2E |
| P0.13 | WWDT. SERVICE_O UT | LEDS1. LINE5 | LEDS0. COL2 | LEDS1. COL2 | | USIC0_CH0. SELO4 | | LEDS1. EXTENDED5 | | LEDS1. TSIN5 | LEDS1. TSIN5 | | | | USIC0_CH0. DX2F | | |
| P0.14 | BCCU0. OUT7 | LEDS1. LINE6 | LEDS0. COL1 | LEDS1. COL1 | | USIC0_CH0. DOUT0 | USIC0_CH0. SCLKOUT | LEDS1. EXTENDED6 | | LEDS1. TSIN6 | LEDS1. TSIN6 | | | | USIC0_CH0. DX0A | USIC0_CH0. DX1A | |
| P0.15 | BCCU0. OUT8 | LEDS1. LINE7 | LEDS0. COL0 | LEDS1. COL0 | | USIC0_CH0. DOUT0 | USIC0_CH1. MCLKOUT | LEDS1. EXTENDED7 | | LEDS1. TSIN7 | LEDS1. TSIN7 | | | | USIC0_CH0. DX0B | | |
| P1.0 | BCCU0. OUT0 | CCU40. OUT0 | LEDS0. COLA | LEDS1. COLA | | ACMP1. OUT | USIC0_CH0. DOUT0 | | USIC0_CH0. DOUT0 | | USIC0_CH0. HWIN0 | | | | USIC0_CH0. DX0C | | |
| P1.1 | VADC0. EMUX00 | CCU40. OUT1 | LEDS0. COL1 | LEDS1. COL0 | | USIC0_CH0. DOUT0 | USIC0_CH1. SELO0 | | USIC0_CH0. DOUT1 | | USIC0_CH0. HWIN1 | | | | USIC0_CH0. DX0D | USIC0_CH0. DX1D | USIC0_CH1. DX2E |
| P1.2 | VADC0. EMUX01 | CCU40. OUT2 | LEDS0. COL2 | LEDS1. COL1 | | ACMP2. OUT | USIC0_CH1. DOUT0 | | USIC0_CH0. DOUT2 | | USIC0_CH0. HWIN2 | | | | USIC0_CH1. DX0B | | |
| P1.3 | VADC0. EMUX02 | CCU40. OUT3 | LEDS0. COL3 | LEDS1. COL2 | | USIC0_CH1. SCLKOUT | USIC0_CH1. DOUT0 | | USIC0_CH0. DOUT3 | | USIC0_CH0. HWIN3 | | | | USIC0_CH1. DX0A | USIC0_CH1. DX1A | |
| P1.4 | VADC0. EMUX10 | USIC0_CH1. SCLKOUT | LEDS0. COL4 | LEDS1. COL3 | | USIC0_CH0. SELO0 | USIC0_CH1. SELO1 | | | | | | | | USIC0_CH0. DX5E | USIC0_CH1. DX5E | |
| P1.5 | VADC0. EMUX11 | USIC0_CH0. DOUT0 | LEDS0. COLA | BCCU0. OUT1 | | USIC0_CH0. SELO1 | USIC0_CH1. SELO2 | | | | | | | | USIC0_CH1. DX5F | | |

Table 8 Port I/O Functions (cont'd)

| Function | Outputs | | | | | | | | | Inputs | | | | | | | | |
|----------|------------------|---------------------|-----------------|-----------------------|------|-----------------------|-----------------------|------|------|--------|------|-----------|-----------------|--------------------|----------|--------------------|--------------------|--------------------|
| | ALT1 | ALT2 | ALT3 | ALT4 | ALT5 | ALT6 | ALT7 | HWO0 | HWO1 | HWI0 | HWI1 | Input | Input | Input | Input | Input | Input | Input |
| P1.6 | VADC0. EMUX12 | USIC0_CH1. DOUT0 | LEDT50. COL5 | USIC0_CH0. SCLKOUT | | USIC0_CH0. SEL02 | USIC0_CH1. SEL03 | | | | | | | USIC0_CH0. DX5F | | | | |
| P2.0 | ERU0. PDOUT3 | CCU40. OUT0 | ERU0. GOUT3 | LEDT51. COL5 | | USIC0_CH0. DOUT0 | USIC0_CH0. SCLKOUT | | | | | | VADC0. G0CH5 | | ERU0.0B0 | USIC0_CH0. DX0E | USIC0_CH0. DX1E | USIC0_CH1. DX2F |
| P2.1 | ERU0. PDOUT2 | CCU40. OUT1 | ERU0. GOUT2 | LEDT51. COL6 | | USIC0_CH0. DOUT0 | USIC0_CH1. SCLKOUT | | | | | ACMP2.INP | VADC0. G0CH6 | | ERU0.1B0 | USIC0_CH0. DX0F | USIC0_CH1. DX3A | USIC0_CH1. DX4A |
| P2.2 | | | | | | | | | | | | ACMP2.INN | VADC0. G0CH7 | | ERU0.0B1 | USIC0_CH0. DX3A | USIC0_CH0. DX4A | USIC0_CH1. DX5A |
| P2.3 | | | | | | | | | | | | | VADC0. G1CH5 | | ERU0.1B1 | USIC0_CH0. DX5B | USIC0_CH1. DX3C | USIC0_CH1. DX4C |
| P2.4 | | | | | | | | | | | | | VADC0. G1CH6 | | ERU0.0A1 | USIC0_CH0. DX3B | USIC0_CH0. DX4B | USIC0_CH1. DX5B |
| P2.5 | | | | | | | | | | | | | VADC0. G1CH7 | | ERU0.1A1 | USIC0_CH0. DX5D | USIC0_CH1. DX3E | USIC0_CH1. DX4E |
| P2.6 | | | | | | | | | | | | ACMP1.INN | VADC0. G0CH0 | | ERU0.2A1 | USIC0_CH0. DX3E | USIC0_CH0. DX4E | USIC0_CH1. DX5D |
| P2.7 | | | | | | | | | | | | ACMP1.INP | VADC0. G1CH1 | | ERU0.3A1 | USIC0_CH0. DX5C | USIC0_CH1. DX3D | USIC0_CH1. DX4D |
| P2.8 | | | | | | | | | | | | ACMP0.INN | VADC0. G0CH1 | VADC0. G1CH0 | ERU0.3B1 | USIC0_CH0. DX3D | USIC0_CH0. DX4D | USIC0_CH1. DX5C |
| P2.9 | | | | | | | | | | | | ACMP0.INP | VADC0. G0CH2 | VADC0. G1CH4 | ERU0.3B0 | USIC0_CH0. DX5A | USIC0_CH1. DX3B | USIC0_CH1. DX4B |
| P2.10 | ERU0. PDOUT1 | CCU40. OUT2 | ERU0. GOUT1 | LEDT51. COL4 | | ACMP0. OUT DOUT0 | USIC0_CH1. DOUT0 | | | | | | VADC0. G0CH3 | VADC0. G1CH2 | ERU0.2B0 | USIC0_CH0. DX3C | USIC0_CH0. DX4C | USIC0_CH1. DX0F |
| P2.11 | ERU0. PDOUT0 | CCU40. OUT3 | ERU0. GOUT0 | LEDT51. COL3 | | USIC0_CH1. SCLKOUT | USIC0_CH1. DOUT0 | | | | | ACMP REF | VADC0. G0CH4 | VADC0. G1CH3 | ERU0.2B1 | USIC0_CH1. DX0E | USIC0_CH1. DX1E | |

3 Electrical Parameter

This section provides the electrical parameter which are implementation-specific for the XMC1200.

3.1 General Parameters

3.1.1 Parameter Interpretation

The parameters listed in this section represent partly the characteristics of the XMC1200 and partly its requirements on the system. To aid interpreting the parameters easily when evaluating them for a design, they are indicated by the abbreviations in the "Symbol" column:

- **CC**
Such parameters indicate **C**ontroller **C**haracteristics, which are distinctive feature of the XMC1200 and must be regarded for a system design.
- **SR**
Such parameters indicate **S**ystem **R**equirements, which must be provided by the application system in which the XMC1200 is designed in.

3.1.2 Absolute Maximum Ratings

Stresses above the values listed under “Absolute Maximum Ratings” may cause permanent damage to the device. This is a stress rating only and functional operation of the device at these or any other conditions above those indicated in the operational sections of this specification is not implied. Exposure to absolute maximum rating conditions may affect device reliability.

Table 9 Absolute Maximum Rating Parameters

| Parameter | Symbol | Values | | | Unit | Note / Test Condition |
|--|----------------------------|--------|------|------------------------------|------|-----------------------|
| | | Min. | Typ. | Max. | | |
| Junction temperature | T_J SR | -40 | – | 115 | °C | – |
| Storage temperature | T_S SR | -40 | – | 125 | °C | – |
| Voltage on power supply pin with respect to V_{SSP} | V_{DDP} SR | -0.3 | – | 6 | V | – |
| Voltage on any pin with respect to V_{SSP} | V_{IN} SR | -0.5 | – | $V_{DDP} + 0.5$ or max. 6 | V | whichever is lower |
| Voltage on any analog input pin with respect to V_{SSP} | V_{AIN} V_{AREF} SR | -0.5 | – | $V_{DDP} + 0.5$ or max. 6 | V | – |
| Input current on any pin during overload condition | I_{IN} SR | -10 | – | 10 | mA | – |
| Absolute sum of all input currents during overload condition | $\Sigma I_{IN} $ SR | – | – | 50 | mA | – |
| Analog comparator input voltage | V_{CM} SR | -0.3 | – | $V_{DDP} + 0.3$ | V | |

3.1.3 Operating Conditions

The following operating conditions must not be exceeded in order to ensure correct operation and reliability of the XMC1200. All parameters specified in the following tables refer to these operating conditions, unless noted otherwise.

Table 10 Operating Conditions Parameters

| Parameter | Symbol | Values | | | Unit | Note / Test Condition |
|--------------------------------------|---------------|--------|------|------|------|-----------------------|
| | | Min. | Typ. | Max. | | |
| Ambient Temperature | T_A SR | -40 | – | 85 | °C | Temp. Range F |
| | | -40 | – | 105 | °C | Temp. Range X |
| Digital supply voltage ¹⁾ | V_{DDP} SR | 1.8 | – | 5.5 | V | |
| MCLK Frequency | f_{MCLK} CC | – | – | 33.2 | MHz | CPU clock |
| PCLK Frequency | f_{PCLK} CC | – | – | 66.4 | MHz | Peripherals clock |

1) See also the Supply Monitoring thresholds, [Chapter 3.3.3](#).

3.2 DC Parameters

3.2.1 Input/Output Characteristics

Table 11 provides the characteristics of the input/output pins of the XMC1200.

Table 11 Input/Output Characteristics (Operating Conditions apply)

| Parameter | Symbol | | Limit Values | | Unit | Test Conditions |
|---|------------|----|----------------------|-----------------------|------|--|
| | | | Min. | Max. | | |
| Output low voltage on port pins (with standard pads) | V_{OLP} | CC | - | 1.0 | V | $I_{OL} = 11 \text{ mA (5 V)}$ $I_{OL} = 7 \text{ mA (3.3 V)}$ |
| | | | - | 0.4 | V | $I_{OL} = 5 \text{ mA (5 V)}$ $I_{OL} = 3.5 \text{ mA (3.3 V)}$ |
| Output low voltage on high current pads | V_{OLP1} | CC | - | 1.0 | V | $I_{OL} = 50 \text{ mA (5 V)}$ $I_{OL} = 25 \text{ mA (3.3 V)}$ |
| | | | - | 0.32 | V | $I_{OL} = 10 \text{ mA (5 V)}$ |
| | | | - | 0.4 | V | $I_{OL} = 5 \text{ mA (3.3 V)}$ |
| Output high voltage on port pins (with standard pads) | V_{OHP} | CC | $V_{DDP} - 1.0$ | - | V | $I_{OH} = -10 \text{ mA (5 V)}$ $I_{OH} = -7 \text{ mA (3.3 V)}$ |
| | | | $V_{DDP} - 0.4$ | - | V | $I_{OH} = -4.5 \text{ mA (5 V)}$ $I_{OH} = -2.5 \text{ mA (3.3 V)}$ |
| Output high voltage on high current pads | V_{OHP1} | CC | $V_{DDP} - 0.32$ | - | V | $I_{OH} = -6 \text{ mA (5 V)}$ |
| | | | $V_{DDP} - 1.0$ | - | V | $I_{OH} = -8 \text{ mA (3.3 V)}$ |
| | | | $V_{DDP} - 0.4$ | - | V | $I_{OH} = -4 \text{ mA (3.3 V)}$ |
| Input low voltage on port pins (Standard Hysteresis) | V_{ILPS} | SR | - | $0.19 \times V_{DDP}$ | V | CMOS Mode (5 V, 3.3 V & 2.2 V) |
| Input high voltage on port pins (Standard Hysteresis) | V_{IHPS} | SR | $0.7 \times V_{DDP}$ | - | V | CMOS Mode (5 V, 3.3 V & 2.2 V) |
| Input low voltage on port pins (Large Hysteresis) | V_{ILPL} | SR | - | $0.08 \times V_{DDP}$ | V | CMOS Mode (5 V, 3.3 V & 2.2 V) ³⁾ |

Electrical Parameter
Table 11 Input/Output Characteristics (Operating Conditions apply) (cont'd)

| Parameter | Symbol | | Limit Values | | Unit | Test Conditions |
|---|--------------------|----|-----------------------|-----------------------|---------|---|
| | | | Min. | Max. | | |
| Input high voltage on port pins (Large Hysteresis) | V_{IHPL} | SR | $0.85 \times V_{DDP}$ | – | V | CMOS Mode (5 V, 3.3 V & 2.2 V) ³⁾ |
| Input Hysteresis ¹⁾ | HYS | CC | $0.08 \times V_{DDP}$ | – | V | CMOS Mode (5 V), Standard Hysteresis |
| | | | $0.03 \times V_{DDP}$ | – | V | CMOS Mode (3.3 V), Standard Hysteresis |
| | | | $0.02 \times V_{DDP}$ | – | V | CMOS Mode (2.2 V), Standard Hysteresis |
| | | | $0.5 \times V_{DDP}$ | $0.75 \times V_{DDP}$ | V | CMOS Mode(5 V), Large Hysteresis |
| | | | $0.4 \times V_{DDP}$ | $0.75 \times V_{DDP}$ | V | CMOS Mode(3.3 V), Large Hysteresis |
| | | | $0.2 \times V_{DDP}$ | $0.65 \times V_{DDP}$ | V | CMOS Mode(2.2 V), Large Hysteresis |
| Pull-up resistor on port pins | R_{PUP} | CC | 20 | 50 | kohm | $V_{IN} = V_{SSP}$ |
| Pull-down resistor on port pins | R_{PDP} | CC | 20 | 50 | kohm | $V_{IN} = V_{DDP}$ |
| Input leakage current ²⁾ | I_{OZP} | CC | -1 | 1 | μA | $0 < V_{IN} < V_{DDP}$, $T_A \leq 105 \text{ }^\circ C$ |
| Overload current on any pin | I_{OVP} | SR | -5 | 5 | mA | |
| Absolute sum of overload currents | $\Sigma I_{OVP} $ | SR | – | 25 | mA | ³⁾ |
| Voltage on any pin during V_{DDP} power off | V_{PO} | SR | – | 0.3 | V | ⁴⁾ |
| Maximum current per pin (excluding P1, V_{DDP} and V_{SS}) | I_{MP} | SR | -10 | 11 | mA | – |
| Maximum current per high current pins | I_{MP1A} | SR | -10 | 50 | mA | – |

Table 11 Input/Output Characteristics (Operating Conditions apply) (cont'd)

| Parameter | Symbol | | Limit Values | | Unit | Test Conditions |
|--|-------------|----|--------------|------|------|-----------------|
| | | | Min. | Max. | | |
| Maximum current into V_{DDP} (TSSOP28/16, VQFN24) | I_{MVDD1} | SR | – | 130 | mA | ³⁾ |
| Maximum current into V_{DDP} (TSSOP38, VQFN40) | I_{MVDD2} | SR | – | 260 | mA | ³⁾ |
| Maximum current out of V_{SS} (TSSOP28/16, VQFN24) | I_{MVSS1} | SR | – | 130 | mA | ³⁾ |
| Maximum current out of V_{SS} (TSSOP38, VQFN40) | I_{MVSS2} | SR | – | 260 | mA | ³⁾ |

- 1) Not subject to production test, verified by design/characterization. Hysteresis is implemented to avoid meta stable states and switching due to internal ground bounce. It cannot be guaranteed that it suppresses switching due to external system noise.
- 2) An additional error current (I_{INL}) will flow if an overload current flows through an adjacent pin.
- 3) Not subject to production test, verified by design/characterization.
- 4) Not subject to production test, verified by design/characterization. However, for applications with strict low power-down current requirements, it is mandatory that no active voltage source is supplied at any GPIO pin when V_{DDP} is powered off.

3.2.2 Analog to Digital Converters (ADC)

Table 12 shows the Analog to Digital Converter (ADC) characteristics.

Table 12 ADC Characteristics (Operating Conditions apply)

| Parameter | Symbol | Values | | | Unit | Note / Test Condition |
|---|------------------|------------------|------|------------------|------|--|
| | | Min. | Typ. | Max. | | |
| Supply voltage range (internal reference) | V_{DD_int} SR | 1.8 | – | 3.0 | V | SHSCFG.AREF = 11 _B |
| | | 3.0 | – | 5.5 | V | SHSCFG.AREF = 10 _B |
| Supply voltage range (external reference) | V_{DD_ext} SR | 3.0 | – | 5.5 | V | SHSCFG.AREF = 00 _B |
| Analog input voltage range | V_{AIN} SR | V_{SSP} - 0.05 | – | V_{DDP} + 0.05 | V | |
| Auxiliary analog reference ground (SH0-CH0, SH1-CH0) | V_{REFGND} SR | V_{SSP} - 0.05 | – | V_{DDP} + 0.05 | V | |
| Internal reference voltage (full scale value) | V_{REFINT} CC | 4.82 | 5 | 5.18 | V | -40°C - 105°C |
| | | 4.9 | 5 | 5.1 | V | 0°C - 85°C ¹⁾ |
| Switched capacitance of an analog input ¹⁾ | C_{AINS} CC | – | 1.2 | 2 | pF | GNCTRxz.GAINy = 00 _B (unity gain) |
| | | – | 1.2 | 2 | pF | GNCTRxz.GAINy = 01 _B (gain g1) |
| | | – | 4.5 | 6 | pF | GNCTRxz.GAINy = 10 _B (gain g2) |
| | | – | 4.5 | 6 | pF | GNCTRxz.GAINy = 11 _B (gain g3) |
| Total capacitance of an analog input | C_{AINT} CC | – | – | 10 | pF | ¹⁾ |
| Total capacitance of the reference input | C_{AREFT} CC | – | – | 10 | pF | ¹⁾ |

Electrical Parameter
Table 12 ADC Characteristics (Operating Conditions apply) (cont'd)

| Parameter | Symbol | Values | | | Unit | Note / Test Condition |
|--|-------------------|--------|------|------------------|---------------|--|
| | | Min. | Typ. | Max. | | |
| Gain settings | G_{IN} CC | 1 | | | – | GNCTR _{xz} .GAIN _y = 00 _B (unity gain) |
| | | 3 | | | – | GNCTR _{xz} .GAIN _y = 01 _B (gain g1) |
| | | 6 | | | – | GNCTR _{xz} .GAIN _y = 10 _B (gain g2) |
| | | 12 | | | – | GNCTR _{xz} .GAIN _y = 11 _B (gain g3) |
| Sample Time | t_{sample} CC | 3 | – | – | 1 / f_{ADC} | $V_{DDP} = 5.0$ V |
| | | 3 | – | – | 1 / f_{ADC} | $V_{DDP} = 3.3$ V |
| | | 30 | – | – | 1 / f_{ADC} | $V_{DDP} = 1.8$ V |
| Sigma delta loop hold time | t_{SD_hold} CC | 20 | – | – | µs | Residual charge stored in an active sigma delta loop remains available |
| Conversion time in fast compare mode | t_{CF} CC | 9 | | | 1 / f_{ADC} | ²⁾ |
| Conversion time in 12-bit mode | t_{C12} CC | 20 | | | 1 / f_{ADC} | ²⁾ |
| Maximum sample rate in 12-bit mode ³⁾ | f_{C12} CC | – | – | $f_{ADC} / 42.5$ | – | 1 sample pending |
| | | – | – | $f_{ADC} / 62.5$ | – | 2 samples pending |
| Conversion time in 10-bit mode | t_{C10} CC | 18 | | | 1 / f_{ADC} | ²⁾ |
| Maximum sample rate in 10-bit mode ³⁾ | f_{C10} CC | – | – | $f_{ADC} / 40.5$ | – | 1 sample pending |
| | | – | – | $f_{ADC} / 58.5$ | – | 2 samples pending |
| Conversion time in 8-bit mode | t_{C8} CC | 16 | | | 1 / f_{ADC} | ²⁾ |

Electrical Parameter

Table 12 ADC Characteristics (Operating Conditions apply) (cont'd)

| Parameter | Symbol | Values | | | Unit | Note / Test Condition |
|---|----------------|--------|------|------------------|-----------|---|
| | | Min. | Typ. | Max. | | |
| Maximum sample rate in 8-bit mode ³⁾ | f_{CS} CC | – | – | $f_{ADC} / 38.5$ | – | 1 sample pending |
| | | – | – | $f_{ADC} / 54.5$ | – | 2 samples pending |
| DNL error | EA_{DNL} CC | – | ±2.0 | – | LSB 12 | |
| INL error | EA_{INL} CC | – | ±4.0 | – | LSB 12 | |
| Gain error with external reference | EA_{GAIN} CC | – | ±0.5 | – | % | SHSCFG.AREF = 00 _B (calibrated) |
| Gain error with internal reference | EA_{GAIN} CC | – | ±3.6 | – | % | SHSCFG.AREF = 1X _B (calibrated), -40°C - 105°C |
| | | – | ±2.0 | – | % | SHSCFG.AREF = 1X _B (calibrated), 0°C - 85°C |
| Offset error | EA_{OFF} CC | – | ±6.0 | – | LSB 12 | Calibrated |

- 1) Not subject to production test, verified by design/characterization.
- 2) No pending samples assumed, excluding sampling time and calibration.
- 3) Includes synchronization and calibration (average of gain and offset calibration).

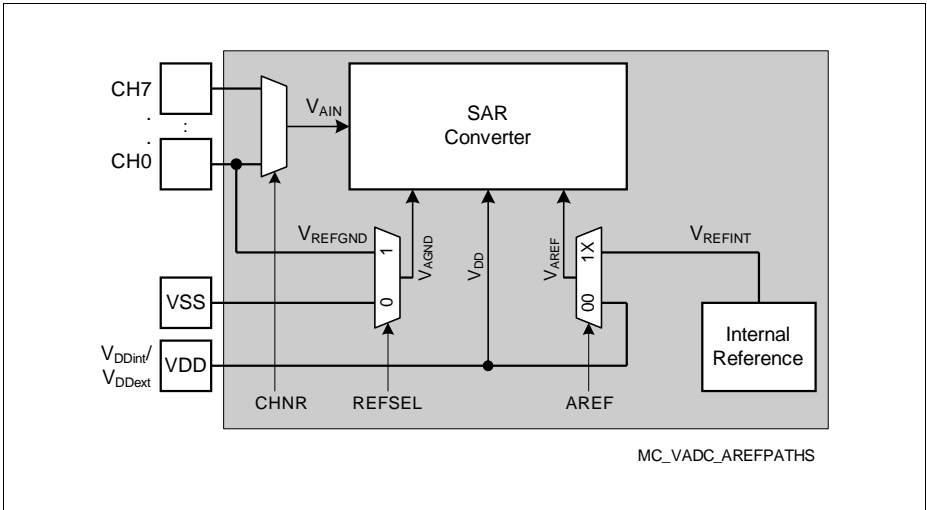


Figure 9 ADC Voltage Supply

3.2.3 Out of Range Comparator (ORC) Characteristics

The Out-of-Range Comparator (ORC) triggers on analog input voltages (V_{AIN}) above the V_{DDP} on selected input pins (ORCx.AIN) and generates a service request trigger (ORCx.OUT).

Note: These parameters are not subject to production test, but verified by design and/or characterization.

Table 13 Out of Range Comparator (ORC) Characteristics (Operating Conditions apply; $V_{DDP} = 3.0\text{ V} - 5.5\text{ V}$)

| Parameter | Symbol | Values | Unit | | | Note / Test Condition |
|-----------------------------------|---------------|--------|------|-----------|------|---|
| | | | Min. | Typ. | Max. | |
| DC Switching Level | V_{ODC} CC | 60 | – | 120 | mV | $V_{AIN} \geq V_{DDP} + V_{ODC}$ |
| Hysteresis | V_{OHYS} CC | 25 | – | V_{ODC} | mV | |
| Always detected Overvoltage Pulse | t_{OPDD} CC | 103 | – | – | ns | $V_{AIN} \geq V_{DDP} + 150\text{ mV}$ |
| | | 88 | – | – | ns | $V_{AIN} \geq V_{DDP} + 350\text{ mV}$ |
| Never detected Overvoltage Pulse | t_{OPDN} CC | – | – | 21 | ns | $V_{AIN} \geq V_{DDP} + 150\text{ mV}$ |
| | | – | – | 11 | ns | $V_{AIN} \geq V_{DDP} + 350\text{ mV}$ |
| Detection Delay | t_{ODD} CC | 39 | – | 132 | ns | $V_{AIN} \geq V_{DDP} + 150\text{ mV}$ |
| | | 31 | – | 121 | ns | $V_{AIN} \geq V_{DDP} + 350\text{ mV}$ |
| Release Delay | t_{ORD} CC | 44 | – | 240 | ns | $V_{AIN} \leq V_{DDP}$; $V_{DDP} = 5\text{ V}$ |
| | | 57 | – | 340 | ns | $V_{AIN} \leq V_{DDP}$; $V_{DDP} = 3.3\text{ V}$ |
| Enable Delay | t_{OED} CC | – | – | 300 | ns | ORCCTRL.ENORCx = 1 |

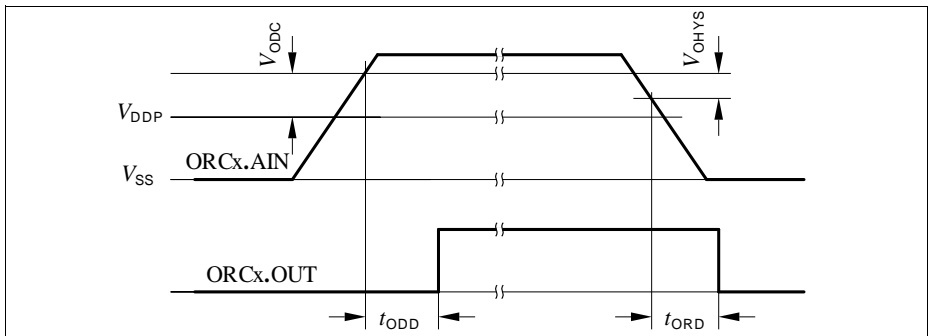


Figure 10 ORCx.OUT Trigger Generation

3.2.4 Analog Comparator Characteristics

Table 14 below shows the Analog Comparator characteristics.

Table 14 Analog Comparator Characteristics (Operating Conditions apply)

| Parameter | Symbol | | Limit Values | | | Unit | Notes/ Test Conditions |
|-----------------------------------|---------------------|----|--------------|-------|-------------------------|---------------|---|
| | | | Min. | Typ. | Max. | | |
| Input Voltage | V_{CMP} | SR | -0.05 | – | $V_{\text{DDP}} + 0.05$ | V | |
| Input Offset | V_{CMPOFF} | CC | – | +/-3 | – | mV | High power mode $\Delta V_{\text{CMP}} < 200 \text{ mV}$ |
| | | | – | +/-20 | – | mV | Low power mode ²⁾ $\Delta V_{\text{CMP}} < 200 \text{ mV}$ |
| Propagation Delay ¹⁾²⁾ | t_{PDELAY} | CC | – | 25 | – | ns | High power mode, $\Delta V_{\text{CMP}} = 100 \text{ mV}$ |
| | | | – | 80 | – | ns | High power mode, $\Delta V_{\text{CMP}} = 25 \text{ mV}$ |
| | | | – | 250 | – | ns | Low power mode, $\Delta V_{\text{CMP}} = 100 \text{ mV}$ |
| | | | – | 700 | – | ns | Low power mode, $\Delta V_{\text{CMP}} = 25 \text{ mV}$ |
| Current Consumption ²⁾ | I_{ACMP} | CC | – | 100 | – | μA | First active ACMP in high power mode, $\Delta V_{\text{CMP}} > 30 \text{ mV}$ |
| | | | – | 66 | – | μA | Each additional ACMP in high power mode, $\Delta V_{\text{CMP}} > 30 \text{ mV}$ |
| | | | – | 10 | – | μA | First active ACMP in low power mode |
| | | | – | 6 | – | μA | Each additional ACMP in low power mode |
| Input Hysteresis ²⁾ | V_{HYS} | CC | – | 15 | – | mV | |
| Filter Delay ¹⁾²⁾ | t_{FDELAY} | CC | – | 5 | – | ns | |

1) Total Analog Comparator Delay is the sum of Propagation Delay and Filter Delay.

2) Not subject to production test, verified by design.

3.2.5 Temperature Sensor Characteristics

Table 15 Temperature Sensor Characteristics¹⁾

| Parameter | Symbol | Values | | | Unit | Note / Test Condition |
|-------------------------------|---------------|--------|--------|------|------|-----------------------|
| | | Min. | Typ. | Max. | | |
| Measurement time | t_M CC | – | – | 10 | ms | |
| Temperature sensor range | T_{SR} SR | -40 | – | 115 | °C | |
| Sensor Accuracy ²⁾ | T_{TSAL} CC | – | +/- 20 | – | °C | $T_J = -40\text{ °C}$ |
| | | – | +/- 12 | – | °C | $T_J = -25\text{ °C}$ |
| | | -5 | – | 5 | °C | $T_J = 0\text{ °C}$ |
| | | -2 | – | 2 | °C | $T_J = 25\text{ °C}$ |
| | | -4 | – | 4 | °C | $T_J = 70\text{ °C}$ |
| | | -2 | – | 2 | °C | $T_J = 115\text{ °C}$ |

1) Not subject to production test, verified by design/characterization.

2) The temperature sensor accuracy is independent of the supply voltage.

3.2.6 Power Supply Current

The total power supply current defined below consists of a leakage and a switching component.

Application relevant values are typically lower than those given in the following tables, and depend on the customer's system operating conditions (e.g. thermal connection or used application configurations).

Table 16 Power Supply Parameters¹⁾

| Parameter | Symbol | Values | | | Unit | Note / Test Condition |
|--|----------------|--------|--------------------|------|--------|--|
| | | Min. | Typ. ²⁾ | Max. | | |
| Active mode current ³⁾ | I_{DDPA} CC | – | 8.8 | 11.5 | mA | $f_{MCLK} = 32$ MHz $f_{PCLK} = 64$ MHz |
| | | – | 3.9 | – | mA | $f_{MCLK} = 1$ MHz $f_{PCLK} = 1$ MHz |
| Sleep mode current Peripherals clock enabled ⁴⁾ | I_{DDPSE} CC | – | 6.2 | – | mA | $f_{MCLK} = 32$ MHz $f_{PCLK} = 64$ MHz |
| Sleep mode current Peripherals clock disabled ⁵⁾ | I_{DDPSD} CC | – | 1.2 | – | mA | $f_{MCLK} = 1$ MHz $f_{PCLK} = 1$ MHz |
| Deep Sleep mode current ⁶⁾ | I_{DDPDS} CC | – | 0.24 | – | mA | |
| Wake-up time from Sleep to Active mode ⁷⁾ | t_{SSA} CC | – | 6 | – | cycles | |
| Wake-up time from Deep Sleep to Active mode ⁸⁾ | t_{DSA} CC | – | 280 | – | μsec | |

1) Not all parameters are 100% tested, but are verified by design/characterisation and test correlation.

2) The typical values are measured at $T_A = +25$ °C and $V_{DDP} = 5$ V.

3) CPU and all peripherals clock enabled, Flash is in active mode.

4) CPU is sleep, all peripherals clock enabled and Flash is in active mode.

5) CPU is sleep, Flash is powered down and code executed from RAM after wake-up.

6) CPU is sleep, peripherals clock disabled, Flash is powered down and code executed from RAM after wake-up.

7) CPU is sleep, Flash is in active mode during sleep mode.

8) CPU is sleep, Flash is in power down mode during deep sleep mode.

Electrical Parameter

Table 17 provides the active current consumption of some modules operating at 5 V power supply at 25 °C. The typical values shown are used as a reference guide on the current consumption when these modules are enabled.

Table 17 Typical Active Current Consumption¹⁾

| Active Current Consumption | Symbol | Limit Values | Unit | Test Condition |
|----------------------------|-----------------------|--------------|------|---|
| | | Typ. | | |
| Baseload current | I_{CPUDDC} | 5.04 | mA | Modules including Core, SCU, PORT, memories, ANATOP ²⁾ |
| VADC and SHS | I_{ADCDDC} | 3.4 | mA | Set CGATCLR0.VADC to 1 ³⁾ |
| USIC0 | I_{USIC0DDC} | 0.87 | mA | Set CGATCLR0.USIC0 to 1 ⁴⁾ |
| CCU40 | I_{CCU40DDC} | 0.94 | mA | Set CGATCLR0.CCU40 to 1 ⁵⁾ |
| LEDTSx | I_{LTSxDDC} | 0.76 | mA | Set CGATCLR0.LEDTSx to 1 ⁶⁾ |
| BCCU0 | I_{BCCU0DDC} | 0.24 | mA | Set CGATCLR0.BCCU0 to 1 ⁷⁾ |
| WDT | I_{WDTDDC} | 0.03 | mA | Set CGATCLR0.WDT to 1 ⁸⁾ |
| RTC | I_{RTCDDC} | 0.01 | mA | Set CGATCLR0.RTC to 1 ⁹⁾ |

- 1) Not subject to production test, verified by design/characterisation.
- 2) Baseload current is measured with device running in user mode, MCLK=PCLK=32 MHz, with an endless loop in the flash memory. The clock to the modules stated in CGATSTAT0 are gated.
- 3) Active current is measured with: module enabled, MCLK=32 MHz, running in auto-scan conversion mode
- 4) Active current is measured with: module enabled, alternating messages sent to PC at 57.6kbaud every 200ms
- 5) Active current is measured with: module enabled, MCLK=PCLK=32 MHz, 1 CCU4 slice for PWM switching from 1500Hz and 1000Hz at regular intervals, 1 CCU4 slice in capture mode for reading period and duty cycle
- 6) Active current is measured with: module enabled, MCLK=32 MHz, 1 LED column, 6 LED/TS lines, Pad Scheme A with large pad hysteresis config, time slice duration = 1.048 ms
- 7) Active current is measured with: module enabled, MCLK=32 MHz, PCLK=64MHz, FCLK=0.8MHz, Normal mode (BCCU Clk = FCLK/4), 3 BCCU Channels and 1 Dimming Engine, change color or dim every 1s
- 8) Active current is measured with: module enabled, MCLK=32 MHz, time-out mode; WLB = 0, WUB = 0x00008000; WDT serviced every 1s
- 9) Active current is measured with: module enabled, MCLK=32 MHz, Periodic interrupt enabled

3.2.7 Flash Memory Parameters

Note: These parameters are not subject to production test, but verified by design and/or characterization.

Table 18 Flash Memory Parameters

| Parameter | Symbol | Values | | | Unit | Note / Test Condition |
|---------------------------------|------------------|--------|------|----------------|---------|---------------------------------|
| | | Min. | Typ. | Max. | | |
| Erase Time per page | t_{ERASE} CC | 6.8 | 7.1 | 7.6 | ms | |
| Program time per block | t_{PSE} CC | 102 | 152 | 204 | μ s | |
| Wake-Up time | t_{WU} CC | – | 32.2 | – | μ s | |
| Read time per word | t_a CC | – | 50 | – | ns | |
| Data Retention Time | t_{RET} CC | 10 | – | – | years | Max. 100 erase / program cycles |
| Flash Wait States ¹⁾ | $N_{WSFLASH}$ CC | 0 | 0.5 | – | | $f_{MCLK} = 8$ MHz |
| | | 0 | 1.4 | – | | $f_{MCLK} = 16$ MHz |
| | | 1 | 1.9 | – | | $f_{MCLK} = 32$ MHz |
| Erase Cycles per page | N_{ECYC} CC | – | – | $5 \cdot 10^4$ | cycles | |
| Total Erase Cycles | N_{TECYC} CC | – | – | $2 \cdot 10^6$ | cycles | |

1) Flash wait states are automatically inserted by the Flash module during memory read when needed. Typical values are calculated from the execution of the Dhystone benchmark program.

3.3 AC Parameters

3.3.1 Testing Waveforms

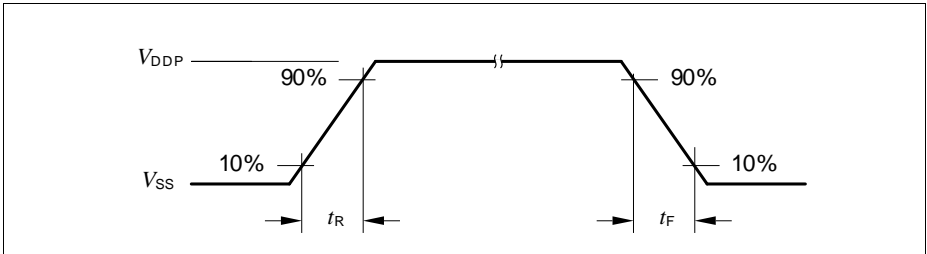


Figure 11 Rise/Fall Time Parameters

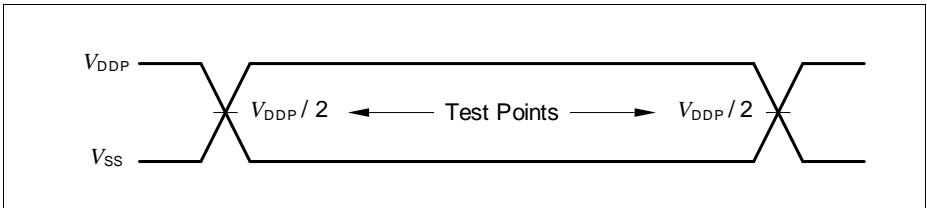


Figure 12 Testing Waveform, Output Delay

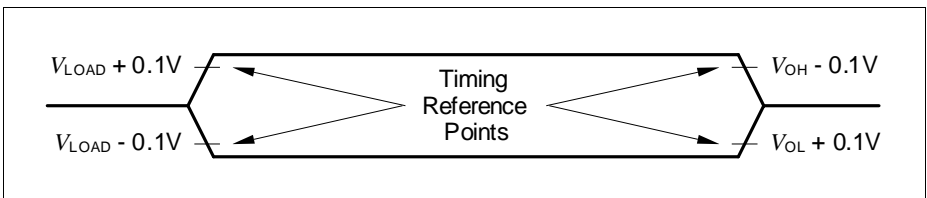


Figure 13 Testing Waveform, Output High Impedance

3.3.2 Output Rise/Fall Times

Table 19 provides the characteristics of the output rise/fall times in the XMC1200. **Figure 11** describes the rise time and fall time parameters.

Table 19 Output Rise/Fall Times Parameters (Operating Conditions apply)

| Parameter | Symbol | Limit Values | | Unit | Test Conditions |
|---|------------------------------|--------------|------|------|-----------------------------|
| | | Min. | Max. | | |
| Rise/fall times on High Current Pad ¹⁾²⁾ | t_{HCPR} | – | 9 | ns | 50 pF @ 5 V ³⁾ |
| | t_{HCPF} | – | 12 | ns | 50 pF @ 3.3 V ⁴⁾ |
| | | – | 25 | ns | 50 pF @ 1.8 V ⁵⁾ |
| Rise/fall times on Standard Pad ¹⁾²⁾ | $t_{\text{R}}, t_{\text{F}}$ | – | 12 | ns | 50 pF @ 5 V ⁶⁾ |
| | | – | 15 | ns | 50 pF @ 3.3 V ⁷⁾ |
| | | – | 31 | ns | 50 pF @ 1.8 V ⁸⁾ |

1) Rise/Fall time parameters are taken with 10% - 90% of supply.

2) Not all parameters are 100% tested, but are verified by design/characterisation and test correlation.

3) Additional rise/fall time valid for $C_L = 50 \text{ pF} - C_L = 100 \text{ pF}$ @ 0.150 ns/pF at 5 V supply voltage.

4) Additional rise/fall time valid for $C_L = 50 \text{ pF} - C_L = 100 \text{ pF}$ @ 0.205 ns/pF at 3.3 V supply voltage.

5) Additional rise/fall time valid for $C_L = 50 \text{ pF} - C_L = 100 \text{ pF}$ @ 0.445 ns/pF at 1.8 V supply voltage.

6) Additional rise/fall time valid for $C_L = 50 \text{ pF} - C_L = 100 \text{ pF}$ @ 0.225 ns/pF at 5 V supply voltage.

7) Additional rise/fall time valid for $C_L = 50 \text{ pF} - C_L = 100 \text{ pF}$ @ 0.288 ns/pF at 3.3 V supply voltage.

8) Additional rise/fall time valid for $C_L = 50 \text{ pF} - C_L = 100 \text{ pF}$ @ 0.588 ns/pF at 1.8 V supply voltage.

3.3.3 Power-Up and Supply Threshold Characteristics

Table 20 provides the characteristics of the supply threshold in XMC1200.

Table 20 Power-Up and Supply Threshold Parameters (Operating Conditions apply) ¹⁾

| Parameter | Symbol | Values | | | Unit | Note / Test Condition |
|-----------------------------------|------------------------|------------------------|------|--------|-----------|--|
| | | Min. | Typ. | Max. | | |
| V_{DDP} ramp-up time | t_{RAMPUP} SR | $V_{DDP}/S_{VDDPrise}$ | – | 10^7 | μs | |
| V_{DDP} slew rate | S_{VDDPOP} SR | 0 | – | 0.1 | $V/\mu s$ | Slope during normal operation |
| | S_{VDDP10} SR | 0 | – | 10 | $V/\mu s$ | Slope during fast transient within +/- 10% of V_{DDP} |
| | $S_{VDDPrise}$ SR | 0 | – | 10 | $V/\mu s$ | Slope during power-on or restart after brownout event |
| | $S_{VDDPfall}^{2)}$ SR | 0 | – | 0.25 | $V/\mu s$ | Slope during supply falling out of the +/-10% limits ³⁾ |
| V_{DDP} prewarning voltage | V_{DDPPW} CC | 2.1 | 2.25 | 2.4 | V | ANAVDEL.VDEL_SELECT = 00 _B |
| | | 2.85 | 3 | 3.15 | V | ANAVDEL.VDEL_SELECT = 01 _B |
| | | 4.2 | 4.4 | 4.6 | V | ANAVDEL.VDEL_SELECT = 10 _B |
| V_{DDP} brownout reset voltage | V_{DDPBO} CC | 1.55 | 1.62 | 1.75 | V | calibrated, before user code starts running |
| Start-up time from power-on reset | t_{SSW} SR | – | 320 | – | μs | Time to the first user code instruction ⁴⁾ |

1) Not all parameters are 100% tested, but are verified by design/characterisation.

2) A capacitor of at least 100 nF has to be added between V_{DDP} and V_{SSP} to fulfill the requirement as stated for this parameter.

Electrical Parameter

- 3) Valid for a 100 nF buffer capacitor connected to supply pin where current from capacitor is forwarded only to the chip. A larger capacitor value has to be chosen if the power source sink a current.
- 4) This values does not include the ramp-up time. During startup firmware execution, MCLK is running at 32 MHz and the clocks to peripheral as specified in register CGATSTAT0 are gated.



Figure 14 Supply Threshold Parameters

3.3.4 On-Chip Oscillator Characteristics

Table 21 provides the characteristics of the 64 MHz clock output from the digital controlled oscillator, DCO1 in XMC1200.

Table 21 64 MHz DCO1 Characteristics (Operating Conditions apply)

| Parameter | Symbol | | Limit Values | | | Unit | Test Conditions |
|---|-------------------------|----|--------------|------|------|------|---|
| | | | Min. | Typ. | Max. | | |
| Nominal frequency | f_{NOM} | CC | 63.5 | 64 | 64.5 | MHz | under nominal conditions ¹⁾ after trimming |
| Accuracy | Δf_{LT} | CC | -1.7 | – | 3.4 | % | with respect to $f_{\text{NOM}}(\text{typ})$, over temperature (0 °C to 85 °C) ²⁾ |
| | | | -3.9 | – | 4.0 | % | with respect to $f_{\text{NOM}}(\text{typ})$, over temperature (-40 °C to 105 °C) ²⁾ |
| Accuracy with calibration based on temperature sensor | Δf_{LTT} | CC | -1.3 | – | 1.25 | % | with respect to $f_{\text{NOM}}(\text{typ})$, over temperature ($T_A = 0$ °C to 105 °C) ²⁾ |
| | | | -2.6 | – | 1.25 | % | with respect to $f_{\text{NOM}}(\text{typ})$, over temperature ($T_A = -40$ °C to 105 °C) ²⁾ |

1) The deviation is relative to the factory trimmed frequency at nominal V_{DDC} and $T_A = +25$ °C.

2) Not subject to production test, verified by design/characterisation.

Figure 15 shows the typical curves for the accuracy of DCO1, with and without calibration based on temperature sensor, respectively.

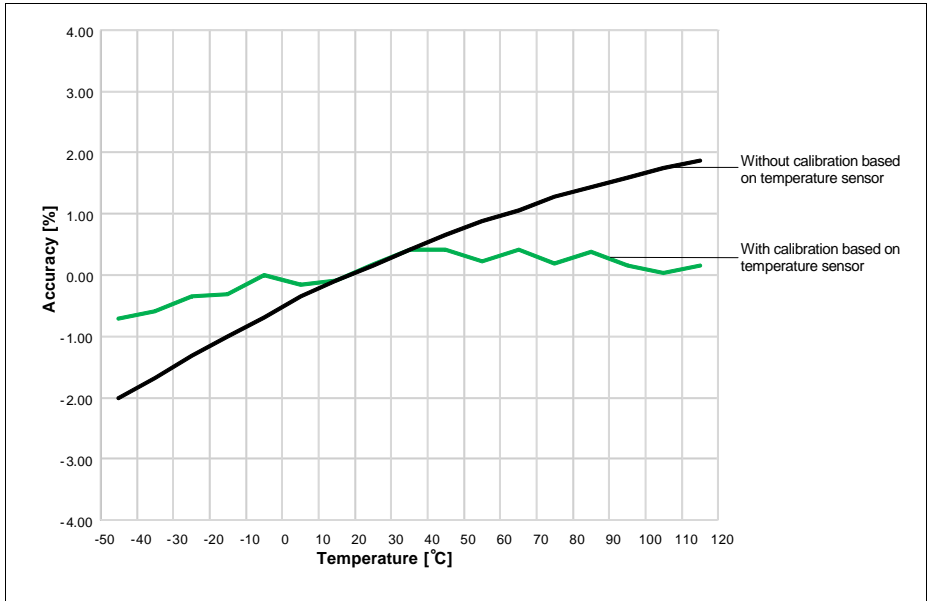


Figure 15 Typical DCO1 accuracy over temperature

Table 22 provides the characteristics of the 32 kHz clock output from digital controlled oscillators, DCO2 in XMC1200.

Table 22 32 kHz DCO2 Characteristics (Operating Conditions apply)

| Parameter | Symbol | Limit Values | Unit | Test Conditions | | |
|-------------------|---------------------------|--------------|-------|-----------------|------|--|
| | | | | | Min. | Typ. |
| Nominal frequency | f_{NOM} CC | 32.5 | 32.75 | 33 | kHz | under nominal conditions ¹⁾ after trimming |
| Accuracy | Δf_{LT} CC | -1.7 | – | 3.4 | % | with respect to $f_{\text{NOM}}(\text{typ})$, over temperature (0 °C to 85 °C) ²⁾ |
| | | -3.9 | – | 4.0 | % | with respect to $f_{\text{NOM}}(\text{typ})$, over temperature (-40 °C to 105 °C) ²⁾ |

1) The deviation is relative to the factory trimmed frequency at nominal V_{DCC} and $T_{\text{A}} = +25$ °C.

2) Not subject to production test, verified by design/characterisation.

3.3.5 Serial Wire Debug Port (SW-DP) Timing

The following parameters are applicable for communication through the SW-DP interface.

Note: These parameters are not subject to production test, but verified by design and/or characterization.

Table 23 SWD Interface Timing Parameters(Operating Conditions apply)

| Parameter | Symbol | Values | | | Unit | Note / Test Condition |
|--|----------|--------|------|--------|------|-----------------------|
| | | Min. | Typ. | Max. | | |
| SWDCLK high time | t_1 SR | 50 | – | 500000 | ns | – |
| SWDCLK low time | t_2 SR | 50 | – | 500000 | ns | – |
| SWDIO input setup to SWDCLK rising edge | t_3 SR | 10 | – | – | ns | – |
| SWDIO input hold after SWDCLK rising edge | t_4 SR | 10 | – | – | ns | – |
| SWDIO output valid time after SWDCLK rising edge | t_5 CC | – | – | 68 | ns | $C_L = 50$ pF |
| | | – | – | 62 | ns | $C_L = 30$ pF |
| SWDIO output hold time from SWDCLK rising edge | t_6 CC | 4 | – | – | ns | |

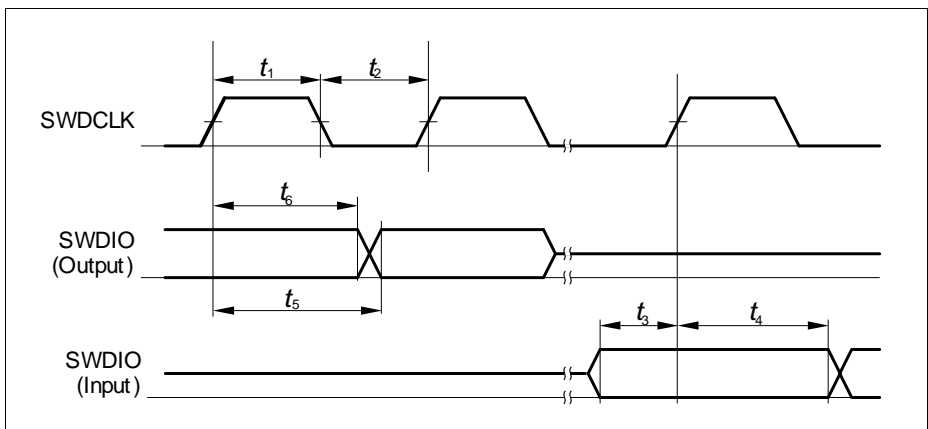


Figure 16 SWD Timing

3.3.6 SPD Timing Requirements

The optimum SPD decision time between 0_B and 1_B is $0.75 \mu\text{s}$. With this value the system has maximum robustness against frequency deviations of the sampling clock on tool and on device side. However it is not always possible to exactly match this value with the given constraints for the sample clock. For instance for a oversampling rate of 4, the sample clock will be 8 MHz and in this case the closest possible effective decision time is 5.5 clock cycles ($0.69 \mu\text{s}$).

Table 24 Optimum Number of Sample Clocks for SPD

| Sample Freq. | Sampling Factor | Sample Clocks 0_B | Sample Clocks 1_B | Effective Decision Time ¹⁾ | Remark |
|--------------|-----------------|---------------------|---------------------|---------------------------------------|---|
| 8 MHz | 4 | 1 to 5 | 6 to 12 | $0.69 \mu\text{s}$ | The other closest option ($0.81 \mu\text{s}$) for the effective decision time is less robust. |

1) Nominal sample frequency period multiplied with $0.5 + (\text{max. number of } 0_B \text{ sample clocks})$

For a balanced distribution of the timing robustness of SPD between tool and device, the timing requirements for the tool are:

- Frequency deviation of the sample clock is +/- 5%
- Effective decision time is between $0.69 \mu\text{s}$ and $0.75 \mu\text{s}$ (calculated with nominal sample frequency)

3.3.7 Peripheral Timings

Note: These parameters are not subject to production test, but verified by design and/or characterization.

3.3.7.1 Synchronous Serial Interface (USIC SSC) Timing

The following parameters are applicable for a USIC channel operated in SSC mode.

Note: Operating Conditions apply.

Table 25 USIC SSC Master Mode Timing

| Parameter | Symbol | Values | | | Unit | Note / Test Condition |
|---|----------|--------|------|------|------|-----------------------|
| | | Min. | Typ. | Max. | | |
| Slave select output SELO active to first SCLKOUT transmit edge | t_1 CC | 80 | – | – | ns | |
| Slave select output SELO inactive after last SCLKOUT receive edge | t_2 CC | 0 | – | – | ns | |
| Data output DOUT[3:0] valid time | t_3 CC | -10 | – | 10 | ns | |
| Receive data input DX0/DX[5:3] setup time to SCLKOUT receive edge | t_4 SR | 80 | – | – | ns | |
| Data input DX0/DX[5:3] hold time from SCLKOUT receive edge | t_5 SR | 0 | – | – | ns | |

Table 26 USIC SSC Slave Mode Timing

| Parameter | Symbol | Values | | | Unit | Note / Test Condition |
|---|-------------|--------|------|------|------|-----------------------|
| | | Min. | Typ. | Max. | | |
| Select input DX2 setup to first clock input DX1 transmit edge ¹⁾ | t_{10} SR | 10 | – | – | ns | |
| Select input DX2 hold after last clock input DX1 receive edge ¹⁾ | t_{11} SR | 10 | – | – | ns | |

Table 26 USIC SSC Slave Mode Timing (cont'd)

| Parameter | Symbol | Values | | | Unit | Note / Test Condition |
|---|-------------|--------|------|------|------|-----------------------|
| | | Min. | Typ. | Max. | | |
| Receive data input DX0/DX[5:3] setup time to shift clock receive edge ¹⁾ | t_{12} SR | 10 | – | – | ns | |
| Data input DX0/DX[5:3] hold time from clock input DX1 receive edge ¹⁾ | t_{13} SR | 10 | – | – | ns | |
| Data output DOUT[3:0] valid time | t_{14} CC | - | – | 80 | ns | |

1) These input timings are valid for asynchronous input signal handling of slave select input, shift clock input, and receive data input (bits DXnCR.DSEN = 0).

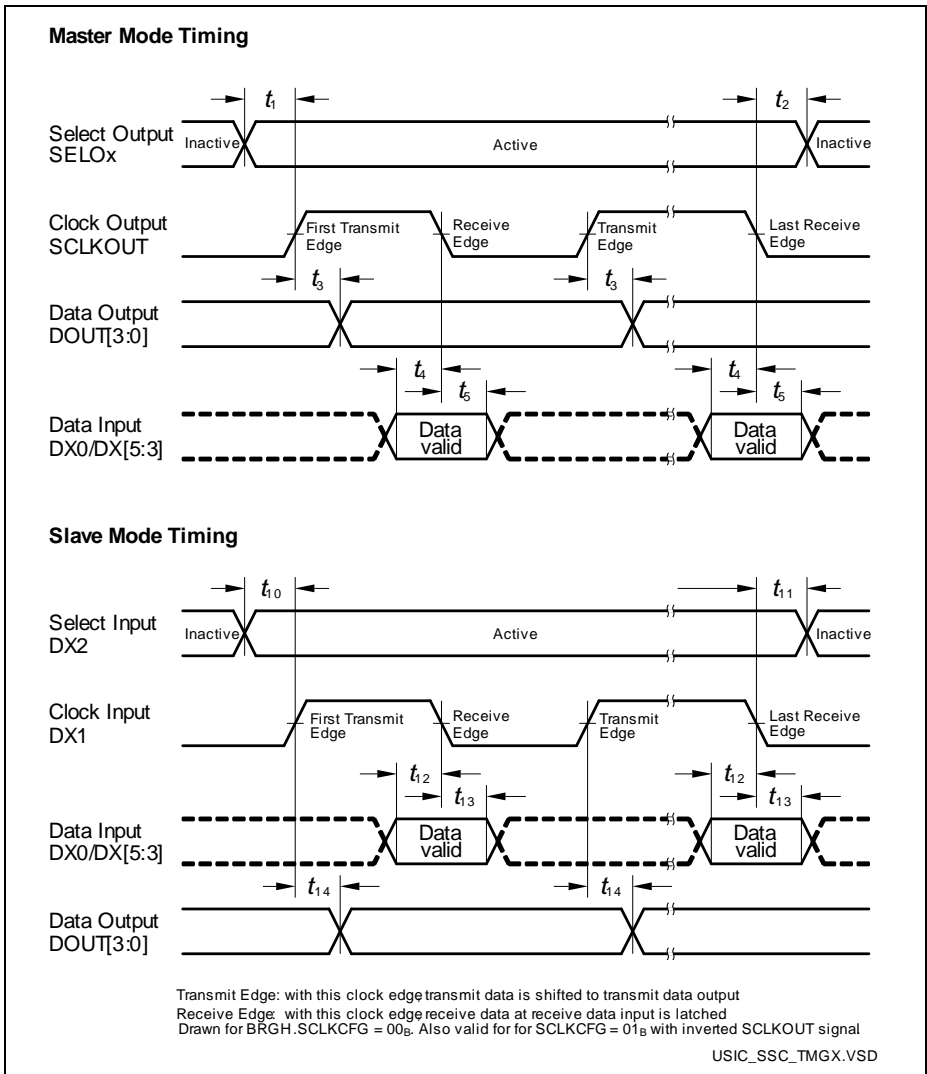


Figure 17 USIC - SSC Master/Slave Mode Timing

Note: This timing diagram shows a standard configuration, for which the slave select signal is low-active, and the serial clock signal is not shifted and not inverted.

3.3.7.2 Inter-IC (IIC) Interface Timing

The following parameters are applicable for a USIC channel operated in IIC mode.

Note: Operating Conditions apply.

Table 27 USIC IIC Standard Mode Timing¹⁾

| Parameter | Symbol | Values | | | Unit | Note / Test Condition |
|--|-------------------|--------|------|------|------|-----------------------|
| | | Min. | Typ. | Max. | | |
| Fall time of both SDA and SCL | t_1 CC/SR | - | - | 300 | ns | |
| Rise time of both SDA and SCL | t_2 CC/SR | - | - | 1000 | ns | |
| Data hold time | t_3 CC/SR | 0 | - | - | µs | |
| Data set-up time | t_4 CC/SR | 250 | - | - | ns | |
| LOW period of SCL clock | t_5 CC/SR | 4.7 | - | - | µs | |
| HIGH period of SCL clock | t_6 CC/SR | 4.0 | - | - | µs | |
| Hold time for (repeated) START condition | t_7 CC/SR | 4.0 | - | - | µs | |
| Set-up time for repeated START condition | t_8 CC/SR | 4.7 | - | - | µs | |
| Set-up time for STOP condition | t_9 CC/SR | 4.0 | - | - | µs | |
| Bus free time between a STOP and START condition | t_{10} CC/SR | 4.7 | - | - | µs | |
| Capacitive load for each bus line | C_b SR | - | - | 400 | pF | |

1) Due to the wired-AND configuration of an IIC bus system, the port drivers of the SCL and SDA signal lines need to operate in open-drain mode. The high level on these lines must be held by an external pull-up device, approximately 10 kOhm for operation at 100 kbit/s, approximately 2 kOhm for operation at 400 kbit/s.

Table 28 USIC IIC Fast Mode Timing ¹⁾

| Parameter | Symbol | Values | | | Unit | Note / Test Condition |
|--|-------------------|---|------|------|------|-----------------------|
| | | Min. | Typ. | Max. | | |
| Fall time of both SDA and SCL | t_1 CC/SR | 20 + 0.1 * C _b ²⁾ | - | 300 | ns | |
| Rise time of both SDA and SCL | t_2 CC/SR | 20 + 0.1 * C _b | - | 300 | ns | |
| Data hold time | t_3 CC/SR | 0 | - | - | μs | |
| Data set-up time | t_4 CC/SR | 100 | - | - | ns | |
| LOW period of SCL clock | t_5 CC/SR | 1.3 | - | - | μs | |
| HIGH period of SCL clock | t_6 CC/SR | 0.6 | - | - | μs | |
| Hold time for (repeated) START condition | t_7 CC/SR | 0.6 | - | - | μs | |
| Set-up time for repeated START condition | t_8 CC/SR | 0.6 | - | - | μs | |
| Set-up time for STOP condition | t_9 CC/SR | 0.6 | - | - | μs | |
| Bus free time between a STOP and START condition | t_{10} CC/SR | 1.3 | - | - | μs | |
| Capacitive load for each bus line | C _b SR | - | - | 400 | pF | |

1) Due to the wired-AND configuration of an IIC bus system, the port drivers of the SCL and SDA signal lines need to operate in open-drain mode. The high level on these lines must be held by an external pull-up device, approximately 10 kOhm for operation at 100 kbit/s, approximately 2 kOhm for operation at 400 kbit/s.

2) C_b refers to the total capacitance of one bus line in pF.

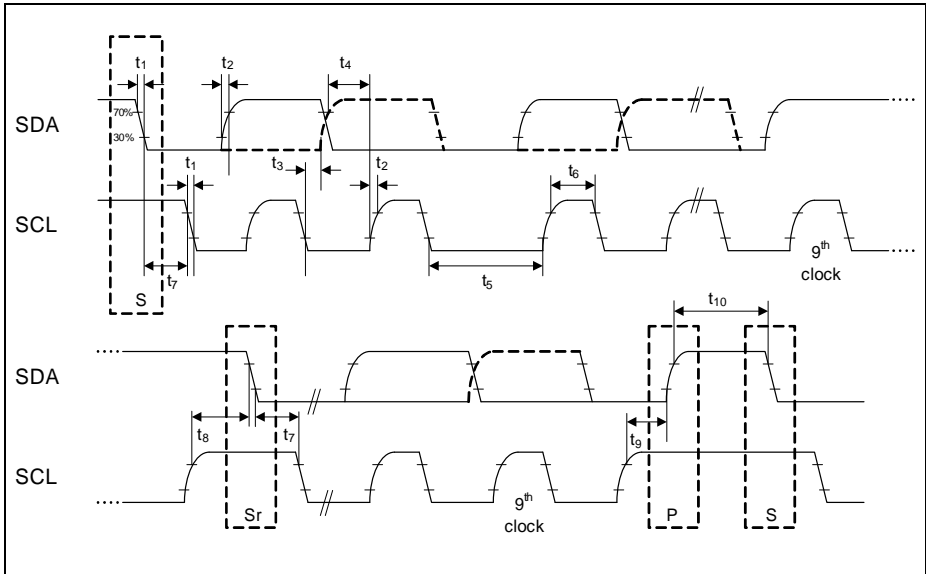


Figure 18 USIC IIC Stand and Fast Mode Timing

3.3.7.3 Inter-IC Sound (IIS) Interface Timing

The following parameters are applicable for a USIC channel operated in IIS mode.

Note: Operating Conditions apply.

Table 29 USIC IIS Master Transmitter Timing

| Parameter | Symbol | Values | | | Unit | Note / Test Condition |
|-----------------|----------|------------------------|------|------------------------|------|---------------------------|
| | | Min. | Typ. | Max. | | |
| Clock period | t_1 CC | $2/f_{MCLK}$ | - | - | ns | $V_{DDP} \geq 3\text{ V}$ |
| | | $4/f_{MCLK}$ | - | - | ns | $V_{DDP} < 3\text{ V}$ |
| Clock HIGH | t_2 CC | $0.35 \times t_{1min}$ | - | - | ns | |
| Clock Low | t_3 CC | $0.35 \times t_{1min}$ | - | - | ns | |
| Hold time | t_4 CC | 0 | - | - | ns | |
| Clock rise time | t_5 CC | - | - | $0.15 \times t_{1min}$ | ns | |

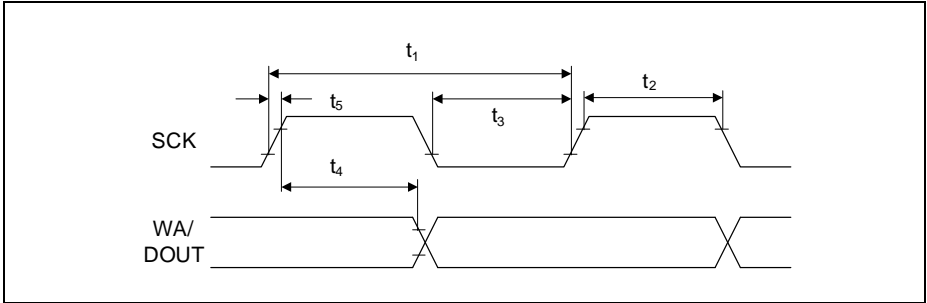


Figure 19 USIC IIS Master Transmitter Timing

Table 30 USIC IIS Slave Receiver Timing

| Parameter | Symbol | Values | | | Unit | Note / Test Condition |
|--------------|-------------|------------------------|------|------|------|-----------------------|
| | | Min. | Typ. | Max. | | |
| Clock period | t_6 SR | $4/f_{MCLK}$ | - | - | ns | |
| Clock HIGH | t_7 SR | $0.35 \times t_{6min}$ | - | - | ns | |
| Clock Low | t_8 SR | $0.35 \times t_{6min}$ | - | - | ns | |
| Set-up time | t_9 SR | $0.2 \times t_{6min}$ | - | - | ns | |
| Hold time | t_{10} SR | 10 | - | - | ns | |

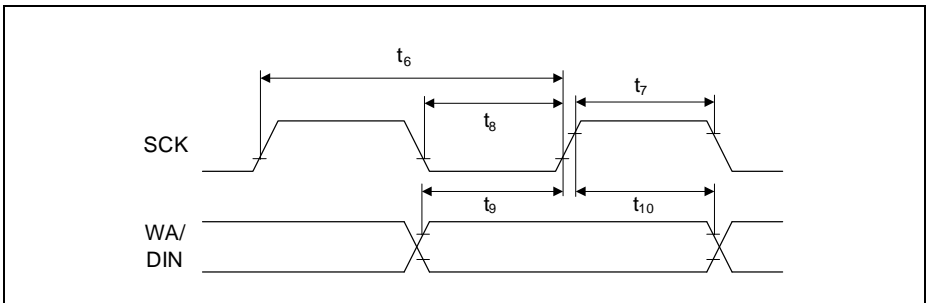


Figure 20 USIC IIS Slave Receiver Timing

4 Package and Reliability

The XMC1200 is a member of the XMC1000 Derivatives of microcontrollers. It is also compatible to a certain extent with members of similar families or subfamilies.

Each package is optimized for the device it houses. Therefore, there may be slight differences between packages of the same pin-count but for different device types. In particular, the size of the exposed die pad may vary.

If different device types are considered or planned for an application, it must be ensured that the board layout fits all packages under consideration.

4.1 Package Parameters

Table 31 provides the thermal characteristics of the packages used in XMC1200.

Table 31 Thermal Characteristics of the Packages

| Parameter | Symbol | Limit Values | | Unit | Package Types |
|-------------------------------------|------------------------|--------------|------------------|------|------------------------------|
| | | Min. | Max. | | |
| Exposed Die Pad Dimensions | $E_x \times E_y$ CC | - | 2.7×2.7 | mm | PG-VQFN-24-19 |
| | | - | 3.7×3.7 | mm | PG-VQFN-40-13 |
| Thermal resistance Junction-Ambient | $R_{\Theta JA}$ CC | - | 104.6 | K/W | PG-TSSOP-16-8 ¹⁾ |
| | | - | 83.2 | K/W | PG-TSSOP-28-16 ¹⁾ |
| | | - | 70.3 | K/W | PG-TSSOP-38-9 ¹⁾ |
| | | - | 46.0 | K/W | PG-VQFN-24-19 ¹⁾ |
| | | - | 38.4 | K/W | PG-VQFN-40-13 ¹⁾ |

1) Device mounted on a 4-layer JEDEC board (JESD 51-5); exposed pad soldered.

Note: For electrical reasons, it is required to connect the exposed pad to the board ground V_{SSP} , independent of EMC and thermal requirements.

4.1.1 Thermal Considerations

When operating the XMC1200 in a system, the total heat generated in the chip must be dissipated to the ambient environment to prevent overheating and the resulting thermal damage.

The maximum heat that can be dissipated depends on the package and its integration into the target board. The "Thermal resistance $R_{\Theta JA}$ " quantifies these parameters. The power dissipation must be limited so that the average junction temperature does not exceed 115 °C.

The difference between junction temperature and ambient temperature is determined by

$$\Delta T = (P_{\text{INT}} + P_{\text{IOSTAT}} + P_{\text{IODYN}}) \times R_{\Theta JA}$$

The internal power consumption is defined as

$$P_{\text{INT}} = V_{\text{DDP}} \times I_{\text{DDP}} \text{ (switching current and leakage current).}$$

The static external power consumption caused by the output drivers is defined as

$$P_{\text{IOSTAT}} = \Sigma((V_{\text{DDP}} - V_{\text{OH}}) \times I_{\text{OH}}) + \Sigma(V_{\text{OL}} \times I_{\text{OL}})$$

The dynamic external power consumption caused by the output drivers (P_{IODYN}) depends on the capacitive load connected to the respective pins and their switching frequencies.

If the total power dissipation for a given system configuration exceeds the defined limit, countermeasures must be taken to ensure proper system operation:

- Reduce V_{DDP} , if possible in the system
- Reduce the system frequency
- Reduce the number of output pins
- Reduce the load on active output drivers

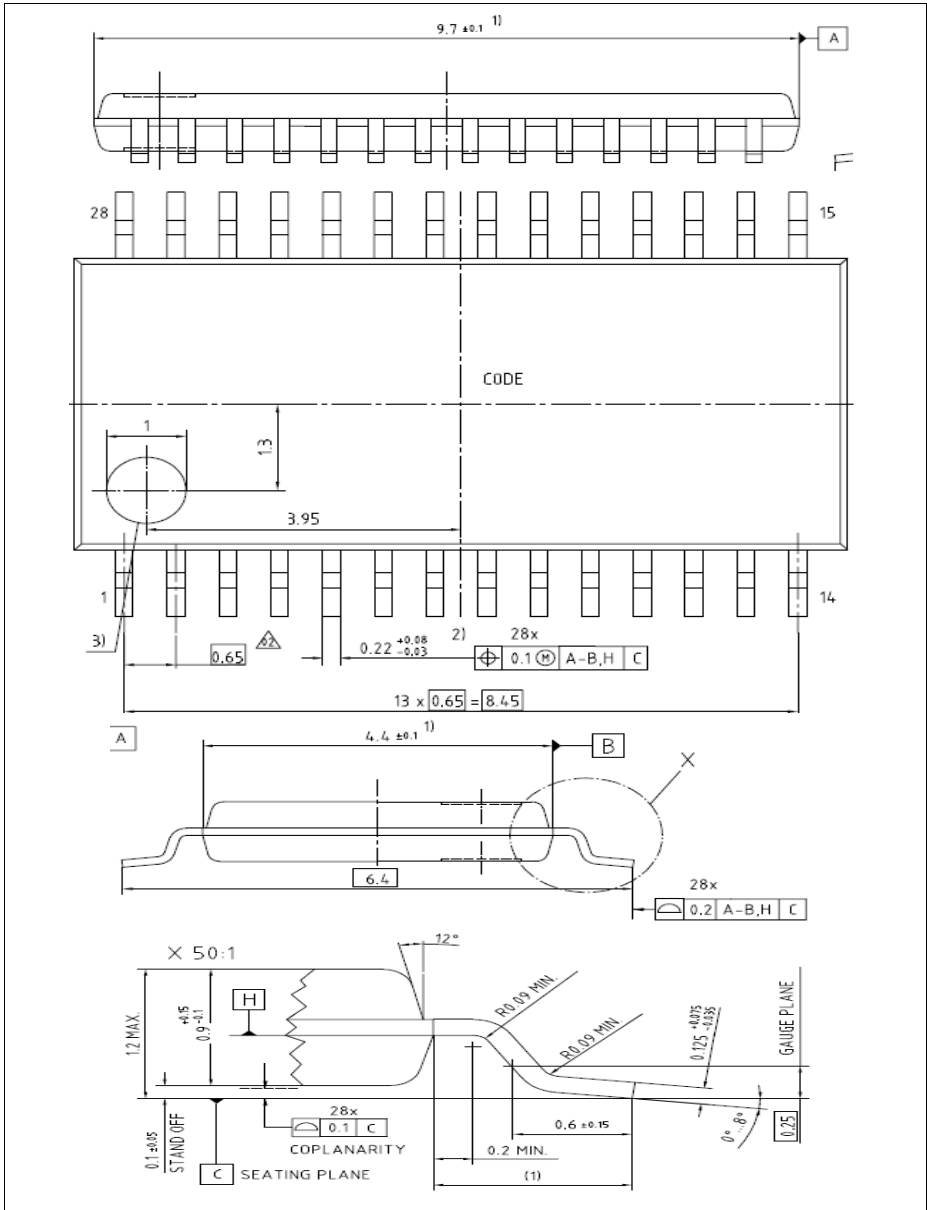


Figure 22 PG-TSSOP-28-16

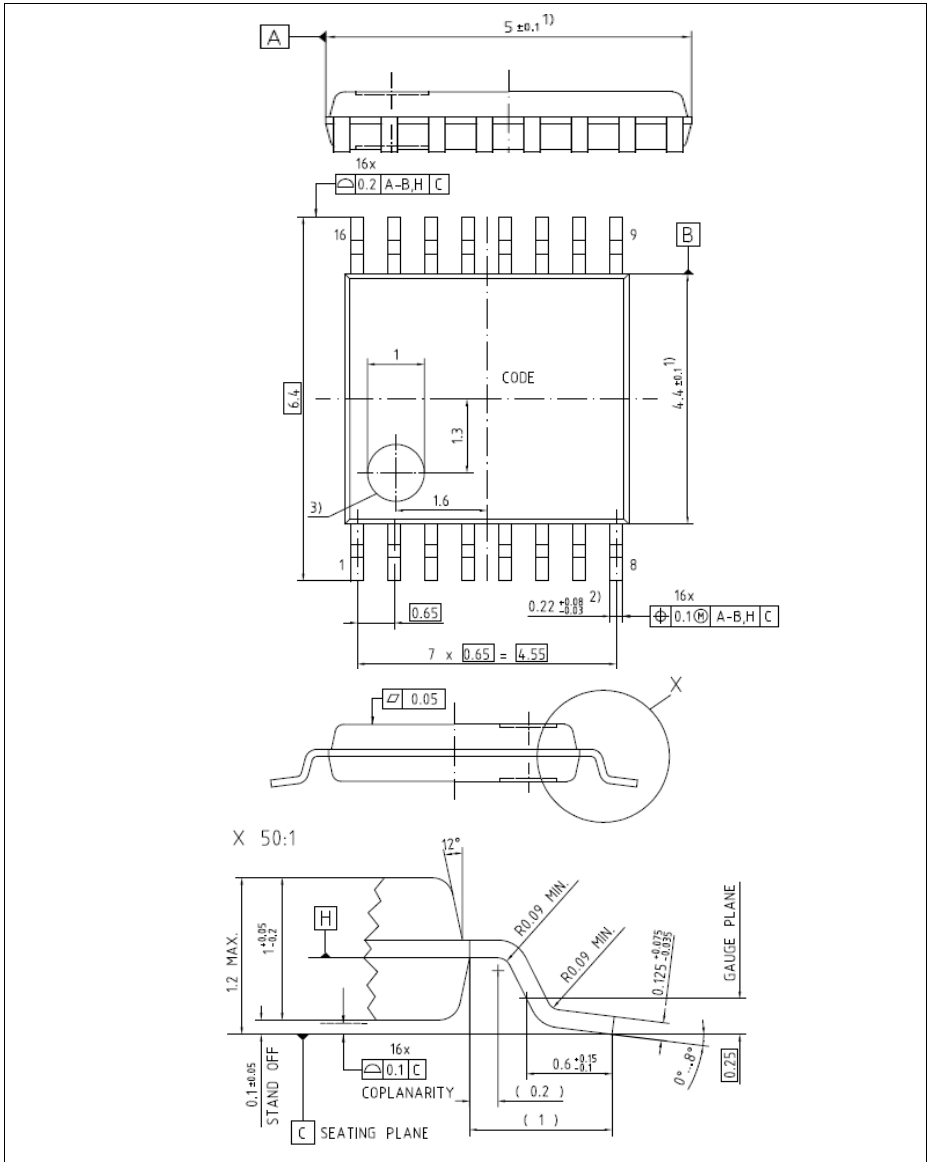


Figure 23 PG-TSSOP-16-8

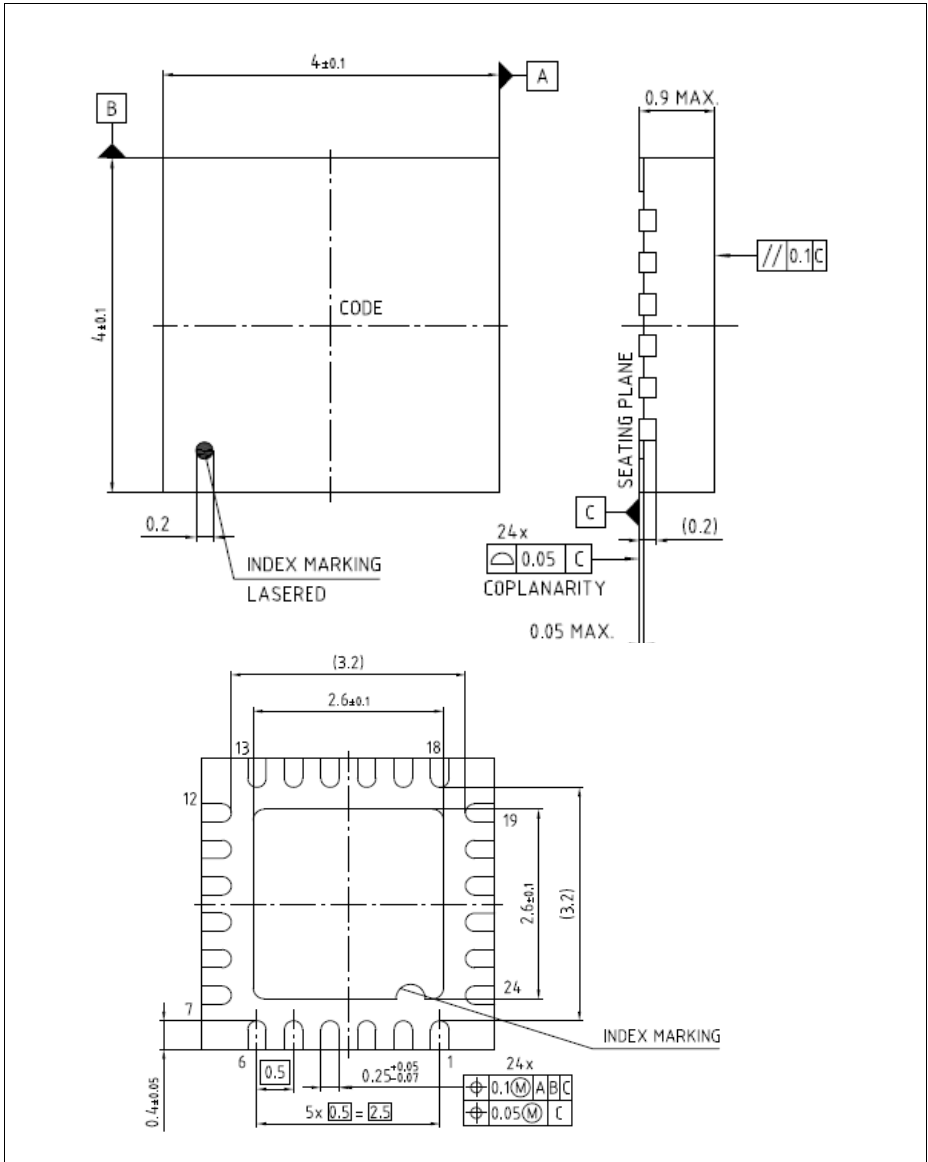


Figure 24 PG-VQFN-24-19

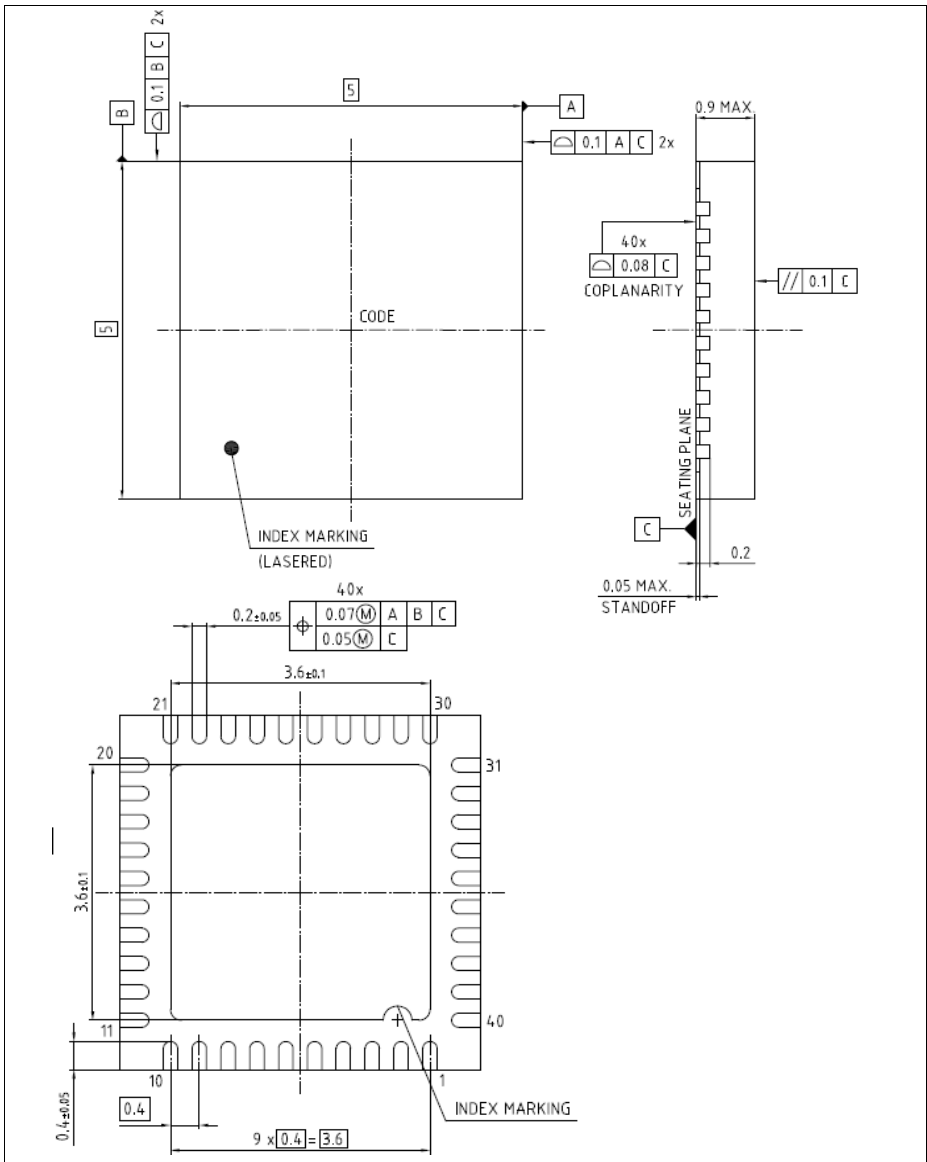


Figure 25 PG-VQFN-40-13

All dimensions in mm.

5 Quality Declaration

Table 32 shows the characteristics of the quality parameters in the XMC1200.

Table 32 Quality Parameters

| Parameter | Symbol | Limit Values | | Unit | Notes |
|---|------------------------|--------------|------|------|---------------------------------|
| | | Min. | Max. | | |
| ESD susceptibility according to Human Body Model (HBM) | V_{HBM} SR | - | 2000 | V | Conforming to EIA/JESD22-A114-B |
| ESD susceptibility according to Charged Device Model (CDM) pins | V_{CDM} SR | - | 500 | V | Conforming to JESD22-C101-C |
| Moisture sensitivity level | MSL CC | - | 3 | - | JEDEC J-STD-020C |

www.infineon.com

Published by Infineon Technologies AG