

XO3067 Series

1x1.4 inch, 5.0 Volt, TTL/HCMOS/Sinewave, TCXO



- All output types
- Wide frequency range, VCXO version available

Model XO3067	Frequency (MHz)	Temperature Range (°C)	Temperature Stability	Aging First year	Output	Supply Voltage
STD	20 (standard)	-30 to +90	±1.0 ppm	±1.0 ppm	HCMOS	5 V ±0.25 V
Options	10 to 100	See Table		<±1.0 ppm	Sine, TTL, ACMOS	5 V to 15 V

Additional Specifications

Aging over ten years	±3.0 ppm max
Turn on Current	600 mA max
Sinewave	as low as 2 mA
HCMOS	12 mA
Frequency Adjust Method	External 0 to 5 V
Range	10 years

Output

Level	HCMOS
Load	2 Gates

Sine Wave Option

Level	0 to +10 dBm (50 Ω)
Load	1 k Ω/10pF

Environmental

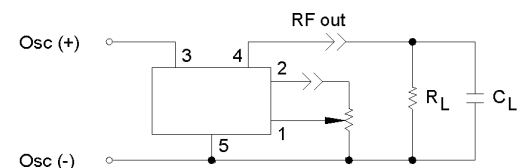
Vibration	10 g pk, 10-2000 Hz
Shock	50 g 11 mS 1/2 sine

Phase Noise @ 20 MHz

10 Hz	-85 dBc/Hz
100 Hz	-120 dBc/Hz
1 kHz	-140 dBc/Hz
10 kHz	-150 dBc/Hz

Temperature Range (°C)	Frequency/Temperature Stability (ppm)			
	±1	±0.75	±0.50	±0.25
+15 to +30	✓	✓	✓	✓
0 to +50	✓	✓	✓	✓
0 to +70	✓	✓	✓	
-20 to +70	✓	✓	✓	
-40 to +75	✓	✓		
-55 to +85	✓			

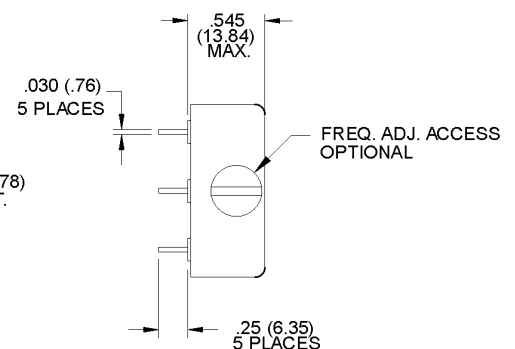
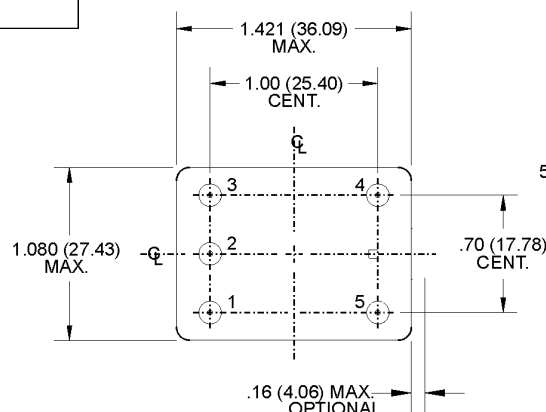
This TCXO can be produced to these specifications, with extended temperature range and tighter stability being cost drivers.



Dimensions are in inches (mm)

PIN	PIN CONNECTION OPTIONS		
	OPTION 1	OPTION 2	OPTION 3
1	N/C	FREQ. ADJ.	FREQ. ADJ.
2	N/C	Vref	N/C
3	SUPPLY (+)	SUPPLY (+)	SUPPLY (+)
4	RF OUT	RF OUT	RF OUT
5	CASE AND SUPPLY RET.	CASE AND SUPPLY RET.	CASE AND SUPPLY RET.

Pin numbers shown for ref. only.
Numbers are not marked on unit.



MtronPTI reserves the right to make changes to the product(s) and service(s) described herein without notice. No liability is assumed as a result of their use or application.

Please see www.mtronpti.com for our complete offering and detailed datasheets. Contact us for your application specific requirements: MtronPTI 1-800-762-8800.