

XR-T3588/89

Evaluation System User Manual

NOTICE

EXAR Corporation reserves the right to make changes to the products contained in this publication in order to improve design, performance or reliability. EXAR Corporation assumes no responsibility for the use of any circuits described herein, conveys no license under any patent or other right, and makes no representation that the circuits are free of patent infringement. Charts and schedules contained herein are only for illustration purposes and may vary depending upon a user's specific application. While the information in this publication has been carefully checked; no responsibility, however, is assumed for inaccuracies.

EXAR Corporation does not recommend the use of any of its products in life support applications where the failure or malfunction of the product can reasonably be expected to cause failure of the life support system or to significantly affect its safety or effectiveness. Products are not authorized for use in such applications unless EXAR Corporation receives, in writing, assurances to its satisfaction that: (a) the risk of injury or damage has been minimized; (b) the user assumes all such risks; (c) potential liability of EXAR Corporation is adequately protected under the circumstances.

Copyright 1996 EXAR Corporation
User Manual November 1996

Reproduction, in part or whole, without the prior written consent of EXAR Corporation is prohibited.

Table of Contents

OVERVIEW	5
POWER REQUIREMENTS	5
XR-T3588 DIGITAL INPUT AND XR-T3589 DIGITAL OUTPUT CONNECTIONS	5
XR-T3588 LINE OUTPUT AND XR-T3589 LINE INPUT CONNECTIONS	5
TRANSMITTER AND RECEIVER POWER-DOWN	5
Table 1. XR-T3588 Transmitter Selection	5
Table 2. XR-T3589 Receiver Selection	6
XR-T3589 GROUND POTENTIAL OFFSET TESTING	6
ADDENDUM	6
Table 3. List of Components	6
Figure 2. Component Layout	7
Figure 3. Circuit Diagram	8

This Page Intentionally Left Blank

OVERVIEW

This unit is a 4.5 by 5.0 inch circuit board that simplifies the evaluation of the XR-T3588 line driver and the XR-T3589 line receiver devices in a CCITT V.35 application. Its features include dip switch selection of channel power-down options, and provisions for applying the ground potential offset voltage specified by the V.35 test procedure to the receiver inputs. *Figure 1.*, *Figure 2.* and *Table 3.* show the demo board component layout, circuit diagram and list of components respectively.

POWER REQUIREMENTS

Supply voltages of +5.0V $\pm 5\%$ for V_{CC} and -5.0V $\pm 5\%$ for V_{EE} are applied to the board through banana jacks. Both power sources should be well-regulated, and each must be capable of supplying 250mA minimum. During normal operation jumper E-1 must be installed, and nothing is connected to the banana jack labeled OFFSET.

XR-T3588 DIGITAL INPUT AND XR-T3589 DIGITAL OUTPUT CONNECTIONS

The TTL compatible transmitter inputs are the BNC connectors mounted on the left side of the board that are labeled TX1IN, TX2IN and TX3IN. Provisions are included for installing input termination resistors R1, R2, and R3 if required. These resistors (50 or 75 Ω) are needed only if a pulse generator with a low impedance output and a fast rise time is used as a test signal source. They are not required for TTL signals applied to the board through short cables.

Likewise, the TTL compatible receiver outputs are the BNC connectors labeled RX1OUT, RX2OUT and RX3OUT.

XR-T3588 LINE OUTPUT AND XR-T3589 LINE INPUT CONNECTIONS

The line connections are made to the six RJ-11 connectors or to the corresponding test point pairs that are located on the right side of the board. The RJ-11s are for connecting twisted pair cables, and the test points provide a convenient means for viewing the output and input signals differentially on an oscilloscope. From top to bottom, the three transmitter outputs are labeled TX1OUT, TX2OUT, and TX3OUT, and the three receiver inputs are labeled RX1IN, RX2IN, and RX3IN. Note that connectors are wired so that the "A" and "B" XR-T3588 output pins and the "A" and "B" XR-T3589 input pins go to the same pin numbers on the RJ-11 connectors. Therefore, a test cable must be wired in the same manner to prevent a data inversion between the transmitter digital input and the receiver digital output. (Telephone cables typically contain a "twist" between modular connectors, and will therefore give a data inversion.)

TRANSMITTER AND RECEIVER POWER-DOWN

The four-position DIP switch located in the center of the board selects the logic state applied to the transmitter and receiver channel enable pins. The top two sections labeled TX, and the bottom two sections labeled RX are for the XR-T3588 and XR-T3589 respectively. *Table 1.* and *Table 2.* show the powering options. Note that when a DIP switch section is "OFF," a logic 1 is applied to the corresponding IC pin.

XR-T3588 Transmitter	TX Switch Sections	
	SEL A	SEL B
1, 2, 3, On	Off	Off
1, 2, On	Off	On
1 On	On	Off
All Off	On	On

Table 1. XR-T3588 Transmitter Selection

XR-T3589 Receiver	RX Switch Sections	
	SEL A	SEL B
1, 2, 3, On	Off	Off
1, 2, On	Off	On
1 On	On	Off
All Off	On	On

Table 2. XR-T3589 Receiver Selection

XR-T3589 GROUND POTENTIAL OFFSET TESTING

The receiver ground potential offset test specified by CCITT V.35 may be performed on the demo board. For

this test, jumper E-1 is first removed and then a DC voltage in the range of $\pm 4V$ is applied between the GND and OFFSET banana jacks.

ADDENDUM

Qty.	Value	Ref. Designators	Notes
15	51.1 Ω , 1/4W, 1% Metal Film Resistor	R1,2,3,5,7,8,10,11,13,14,16,17,19,20,22	
1	10K, 2%, 5 Resistor, Thick-Film Network, Panasonic	R4	
6	121 Ω , 1/4W, 1% Metal Film Resistor	R6,9,12,15,18,21	
1	3.92K, 1/4W, 1% Metal Film Resistor	R23	
2	22 μ F, 16V, Electrolytic, Axial Lead, 5mm Dia., 2mm Spacing, Panasonic Type NHE	C1,2	
5	0.1 μ F, 63V, Z5U Dielectric, Axial Lead, 0.1" Spacing, Panasonic	C3,4,5,6,7	
1	4-Position DIP Switch, CTS	S1	
2	2 Pin Single-Row Header, Gold	E1	
1	Shorting Jumper for Above Header		
6	Female BNC Connector, PC Mount		Connector for Digital I/O
6	6-Pin RJ-11 Connector		Connector for Line
3	Banana Jack (1 Black, 1 Red, 1 Blue, 1 Green)		GND, V _{CC} , V _{SS} , OFFSET Connectors
13	Pins for Digital I/O and Ground Pads		
1	14 pin DIP Socket		
1	18 pin DIP Socket		
4	Spacers to Elevate Board		
4	4-40 x 5/16" Screws		To Attach Spacers

Table 3. List of Components

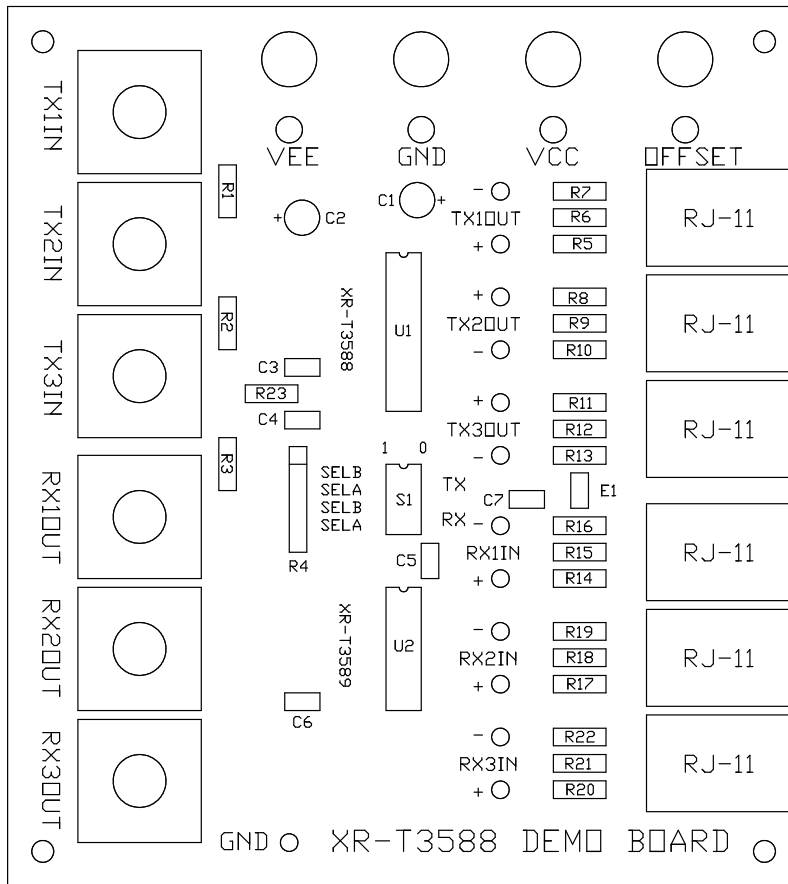


Figure 1. Component Layout

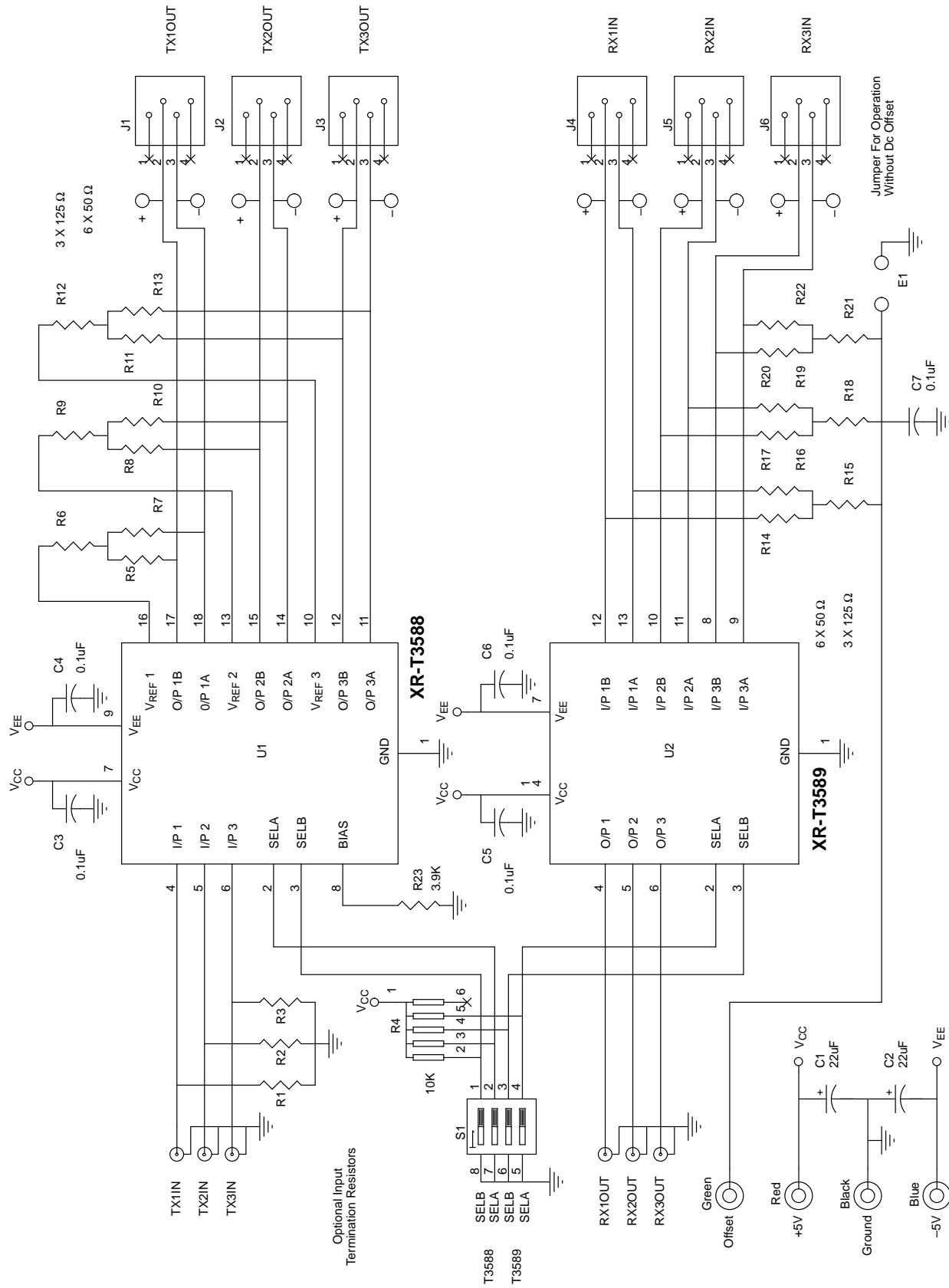


Figure 2. Circuit Diagram

Notes



EXAR *...the analog plus company™*

EXAR Corporation

48720 Kato Road

Fremont, CA 94538

(510) 668-7000, Fax (510) 668-7017

Worldwide Web Site: <http://www.exar.com>



Notes

Notes