



A New Direction in Mixed-Signal

# XR21B1421

## Enhanced 1-Ch Full-Speed USB HID to UART Bridge

### General Description

The XR21B1421 is an enhanced Universal Asynchronous Receiver and Transmitter (UART) bridge to HID class USB interface. The USB interface is fully compliant to the USB 2.0 (Full-Speed) specification with 12 Mbps USB data transfer rate. The USB interface also supports USB suspend, resume and remote wakeup operations. The USB Vendor ID, Product ID, power mode, remote wakeup support, maximum power, and numerous other settings may be programmed in the no-chip OTP memory via the USB interface using either HID reports or Exar-supplied OTP programming tools.

The XR21B1421 includes an internal oscillator and does not require an external crystal/oscillator. Any UART baud rate up to 12 Mbps may be generated with this internal clock and the fractional baud rate generator.

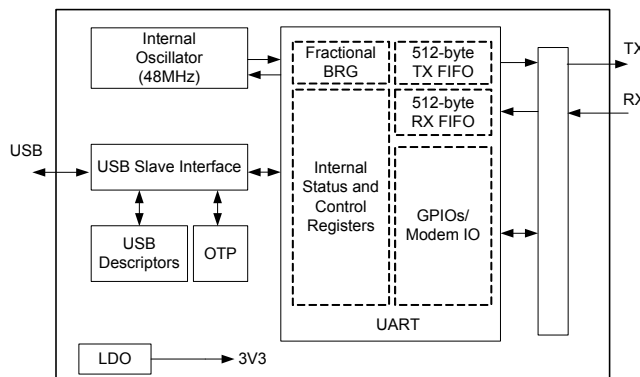
The UART pins for each port may also be configured as GPIO; direction, state, output driver type and input pull-up or pull-down resistors are programmed either through on chip OTP, or on the fly via memory mapped registers.

Large 512-byte TX and RX FIFOs prevent buffer overflow errors and optimize data throughput. Automatic half-duplex direction control and optional multi drop (9-bit) mode simplify both hardware and software in half-duplex RS-485 applications.

The XR21B1421 uses the native OS HID driver using HID reports. The HID reports perform a variety of functions, including device configuration, transmitting and receiving UART data, and programming of the on-chip OTP. Exar provides a .dll as an easy to use programming interface to the HID reports.

The XR21B1421 operates from a single 5V or 3.3V power supply and is available in a 24 or 28 pin QFN package. When powered with 5V input, the XR21B1421 supplies a regulated 3.3V output. The 24 pin package has a separate V<sub>IO</sub> supply voltage input for the Modem / GPIO pins. The 28 pin package has V<sub>IO</sub> internally tied to 3.3V.

### Block Diagram



### FEATURES

- ±15kV ESD on USB<sub>D+</sub>/USB<sub>D-</sub>
- USB 2.0 Compliant, Full-Speed (12Mbps)
- Unique pre-programmed USB serial number
- Internally generated 48MHz core clock
- Enhanced UART features
  - Baud rates up to 12 Mbps
  - Fractional Baud Rate Generator
  - 512-byte TX and 512-byte RX FIFOs
  - Auto Hardware / Software Flow Control
  - Multidrop and Half-Duplex Modes
  - Auto RS-485 Half-Duplex Control
  - Selectable GPIO or Modem I/O
- Up to 10 GPIOs
- 5V tolerant GPIO inputs
- Suspend state GPIO configuration
- Configurable clock output
- 24-pin or 28-pin QFN package
- Industrial -40°C to +85°C Temperature Range

### APPLICATIONS

- Portable Medical Diagnostics
- Blood Glucose Meters
- Health and Fitness Wellness Monitors
- Uninterruptible Power Supplies
- Energy Management Consoles

Ordering Information – [page 50](#)

## Absolute Maximum Ratings

Stresses beyond those listed under Absolute Maximum Ratings may cause permanent damage to the device. Exposure to any Maximum Rating condition for extended periods may affect device reliability and lifetime.

|                                     |                |
|-------------------------------------|----------------|
| Supply Voltage (VCC_REG).....       | +5.75V         |
| Supply Voltage (VCC, VIO).....      | +4V            |
| Input Voltage (VBUS_SENSE).....     | -0.3 to +5.75V |
| Input Voltage (All other pins)..... | -0.3 to +5.6V  |
| Junction Temperature.....           | 125°C          |

## Operating Conditions

Operating Temperature Range.....-40°C to +85°C

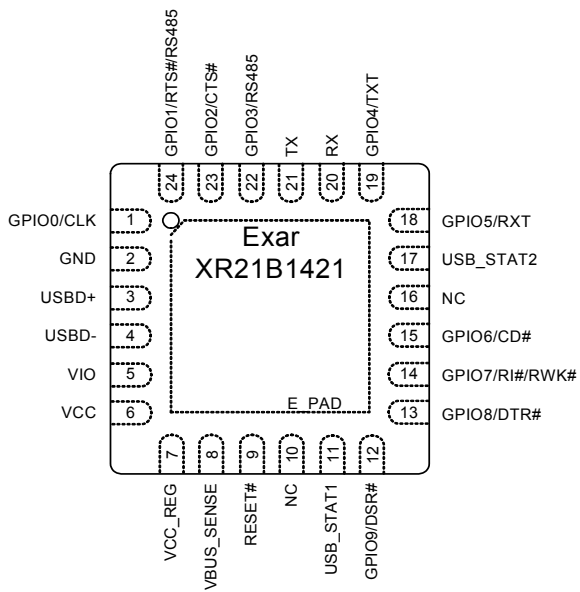
## Electrical Characteristics

Unless otherwise noted:  $T_A = -40^\circ\text{C}$  to  $+85^\circ\text{C}$ , VCC\_REG = 4.4V to 5.25V or 3.0V to 3.6V, VIO = 1.8V to 3.6V

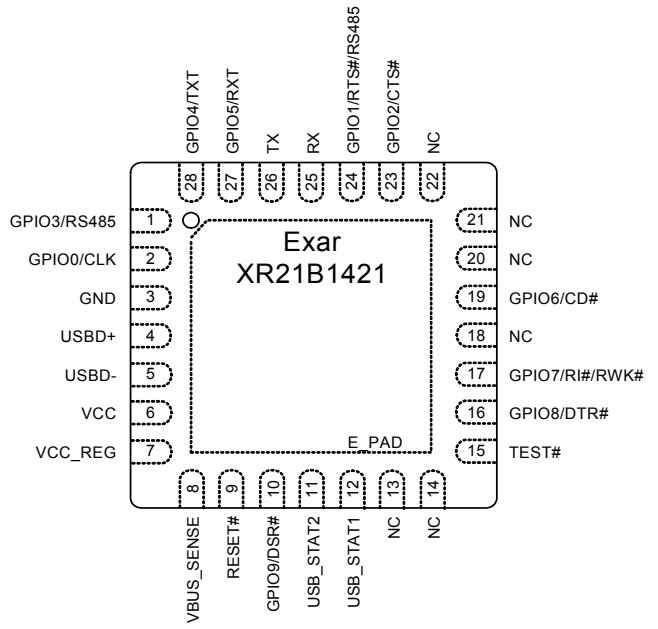
| Symbol                       | Parameter                          | Conditions   | Min          | Typ  | Max          | Units |
|------------------------------|------------------------------------|--|--------------|------|--------------|-------|
| Power                        |                                    |  |              |      |              |       |
| I <sub>CC</sub>              | Power Supply Current               | VCC_REG = +4.4V to +5.25V  |              | 13   | 19           | mA    |
| I <sub>SUSP</sub>            | Lowpower Mode Current              |  |              | 0.85 | 1.25         | mA    |
| V <sub>OUT</sub>             | Regulated Output Voltage (VCC pin) | VCC_REG = +4.4V to +5.25V.<br>Maximum output current = 200 mA including the supply current of the XR21B1421. | 3            | 3.3  | 3.6          | V     |
| UART, USB_STAT and GPIO Pins |                                    |  |              |      |              |       |
| V <sub>IL</sub>              | Input Low Voltage                  |  | -0.3         |      | 0.25*<br>VIO | V     |
| V <sub>IH</sub>              | Input High Voltage                 |  | 0.70*<br>VIO |      | 5.5          | V     |
| V <sub>OL</sub>              | Output Low Voltage                 | IOL = 1mA, VIO = +1.6V   |              |      | 0.3          | V     |
|                              |                                    | IOL = 4mA, VIO = +3.6V   |              |      | 0.5          | V     |
| V <sub>OH</sub>              | Output High Voltage                | IOH = -400uA, VIO = +1.6V  | 1.3          |      | VIO          | V     |
|                              |                                    | IOH = -1.5mA, VIO = +3.6V  | 2.8          |      | VIO          | V     |
| I <sub>IL</sub>              | Input Low Leakage Current          | VIO = +3V to +3.6V, VCC_REG = +4.4V to +5.25V, V <sub>INPUT</sub> = 0V                                       |              |      | ±10          | µA    |
| I <sub>IH</sub>              | Input High Leakage Current         | VIO = +3V to +3.6V, VCC_REG = +4.4V to +5.25V, V <sub>INPUT</sub> = +3.3V                                    |              |      | ±10          | µA    |
|                              |                                    | VIO = +3V to +3.6V, VCC_REG = +4.4V to +5.25V, V <sub>INPUT</sub> = +5.5V                                    |              |      | ±120         | µA    |
| C <sub>IN</sub>              | Input Pin Capacitance              |  |              |      | 5            | pF    |

| Symbol            | Parameter               | Conditions   | Min  | Typ | Max | Units    |
|-------------------|-------------------------|--|------|-----|-----|----------|
| USB I/O Pins      |                         |  |      |     |     |          |
| V <sub>IL</sub>   | Input Low Voltage       |  | -0.3 |     | 0.8 | V        |
| V <sub>IH</sub>   | Input High Voltage      |  | 2.0  |     | 5.5 | V        |
| V <sub>OL</sub>   | Output Low Voltage      | External 15k $\Omega$ to GND on USB <sub>D+</sub> and USB <sub>D-</sub> pins | 0    |     | 0.3 | V        |
| V <sub>OH</sub>   | Output High Voltage     | External 15k $\Omega$ to GND on USB <sub>D+</sub> and USB <sub>D-</sub> pins | 2.8  |     | 3.6 | V        |
| V <sub>DrvZ</sub> | Driver Output Impedance |  | 28   |     | 44  | $\Omega$ |

Pin Configuration



24-Pin  
Top View



28-Pin  
Top View

## Pin Assignments

| 24-pin QFN |                |        |   |
|------------|----------------|--------|---|
| Pin No.    | Pin Name       | Type   | Description   |
| 1          | GPIO0/CLK      | I/O    | General purpose I/O, or clock or pulse output. Defaults to GPIO input with internal pull-up. See “GET / SET_GPIO_CONFIG” on page 28 and “GET / SET_PIN_CONFIG” on page 41.  |
| 2          | GND            | PWR    | Power supply common, ground.  |
| 3          | USBD+          | I/O    | USB port differential data positive input. This pin has internal pull-up resistor compliant to USB 2.0 specification. The ESD protection on this pin is +/-15 kV HBM.   |
| 4          | USBD-          | I/O    | USB port differential data negative input. The ESD protection on this pin is +/-15 kV HBM.  |
| 5          | VIO            | PWR    | Supply voltage for the UART and GPIO signals. The voltage range for VIO is + 1.8V to + 3.6V. In QFN28 package, the VIO is internally tied to core 3.3V. If VCC_REG is powered by 5V, VCC output 3.3V may be externally connected to VIO pin.  |
| 6          | VCC            | PWR    | 3.3V power to the device, or 3.3V power output from the device when 5V power is supplied to VCC_REG pin. 3.3V output power may source up to 200 mA maximum (including the device) and should be decoupled by minimum of 4.7 uF ceramic capacitor.   |
| 7          | VCC_REG        | PWR    | 5V or 3.3V power to the device. In bus-powered mode, connect VBUS power from the USB host to this pin and to the VBUS_SENSE pin. See <a href="#">Figure 1</a> . In self-powered mode, connect on board 5V or 3.3V source to this pin and VBUS from the USB host to the VBUS_SENSE pin. See <a href="#">Figure 2</a> and <a href="#">Figure 3</a> .  |
| 8          | VBUS_SENSE     | I      | Must be connected to VBUS power from the USB host PC. This pin is used to disable the internal pull-up resistor on the USBD+ signal when VBUS is not present in self-powered mode.  |
| 9          | RESET#         | I/O OD | Active low open drain output. Asserted at power on or any time device is reset by either register or USB bus reset. As an input, must be asserted for at least 15 us to force a device reset. Reset pulse width input of shorter than 15 us will have unknown effects. A weak internal pull-up resistor provides noise immunity if left unconnected.  |
| 10         | NC             |        | No Connect  |
| 11         | USB_STAT1      | OD     | <p>The USB_STAT1 output pin may be used to indicate any of three USB status conditions:</p> <ol style="list-style-type: none"> <li>1. USB_STAT1 is asserted when the USB host asserts USB reset.</li> <li>2. USB_STAT1 is asserted when the USB host PC places the XR21B1421 device into the suspend state.</li> <li>3. USB_STAT1 is asserted when it is not safe to draw the amount of current requested in the Device Maximum Power field of the Configuration Descriptor. <ol style="list-style-type: none"> <li>a. For a low power device (<math>\leq 1</math> unit load or 100 mA, <math>bMaxPower \leq 0x32</math>), USB_STAT1 will be asserted when the USB UART is in the suspend mode.</li> <li>b. For a high power device (<math>bMaxPower &gt; 0x32</math>), USB_STAT1 will be asserted when the USB UART is in the suspend mode or when it is not yet configured.</li> </ol> </li> </ol> <p>The assertion polarity and status condition are selectable via the PIN_CFG_STAT1 register. The USB_STAT pin will be de-asserted whenever the selected condition(s) is / are not met. The default output for this pin is active high polarity, asserted whenever the XR21B1421 is placed into a suspended state.</p> |
| 12         | GPIO9/DSR#     | I/O    | General purpose I/O, or UART Data-Set-Ready input (active low). Defaults to GPIO push-pull output. See “Automatic DTR/DSR Hardware Flow Control” on page 16.  |
| 13         | GPIO8/DTR#     | I/O    | General purpose I/O, or UART Data-Terminal-Ready push-pull output (active low). Defaults to GPIO push-pull output. See “Automatic DTR/DSR Hardware Flow Control” on page 16.  |
| 14         | GPIO7/RI#/RWK# | I/O    | General purpose I/O, or UART Ring-Indicator input (active low) or Remote Wakeup input (active low). Defaults to GPIO input with internal pull-up.   |

| 24-pin QFN |                  |      |   |
|------------|------------------|------|---|
| Pin No.    | Pin Name         | Type | Description   |
| 15         | GPIO6/CD#        | I/O  | General purpose I/O, or UART Carrier-Detect input (active low). Defaults to GPIO input with internal pull-up.   |
| 16         | NC               |      | No Connect  |
| 17         | USB_STAT2        | OD   | This pin has the same functionality as the USB_STAT1 pin. However, the default output for this pin is active low polarity, asserted whenever the XR21B1421 is placed into a suspended state. This default may be changed via the PIN_CFG_USB_STAT2 register.  |
| 18         | GPIO5/RXT        | I/O  | General purpose I/O, or UART receive indicator. Defaults to receive indicator push-pull output. When configured as receive indicator, this pin will toggle at ~10 Hz intervals while the UART is receiving data.  |
| 19         | GPIO4/TXT        | I/O  | General purpose I/O, or UART transmit indicator. Defaults to transmit indicator push-pull output. When configured as transmit indicator, this pin will toggle at ~10 Hz intervals during UART data transmission.  |
| 20         | RX               | I    | UART Receive Data.  |
| 21         | TX               | O    | UART Transmit Data.   |
| 22         | GPIO3/RS485      | I/O  | General purpose I/O, or auto RS-485 half-duplex enable. Defaults to active high push-pull output Auto RS-485 half-duplex enable.  |
| 23         | GPIO2/CTS#       | I/O  | General purpose I/O, or UART Clear-to-Send input (active low). Defaults to CTS input with internal pull-up. See <a href="#">“Automatic RTS/CTS Hardware Flow Control”</a> on page 15.   |
| 24         | GPIO1/RTS#/RS485 | I/O  | General purpose I/O, or UART Request-to-Send output (active low) or auto. RS-485 half-duplex enable. Defaults to open drain RTS output. See <a href="#">“GET / SET_GPIO_CONFIG”</a> on page 28 and <a href="#">“GET / SET_PIN_CONFIG”</a> on page 41.   |
| Center Pad | GND              | PWR  | The center pad on the back side of the QFN package is metallic and should be connected to GND on the PCB. The thermal pad size on the PCB should be the approximate size of this center pad and should be solder mask defined. The solder mask opening should be at least 0.0025" inwards from the edge of the PCB thermal pad. |

- Pin type: I=Input, O=Push-pull Output, I/O= Input/output, PWR=Power, OD=Open Drain Output with weak internal pull-up
- All GPIO pins as well as USB\_STAT1 and USB\_STAT2 may be configured for a variety of pin type options using the GPIO\_MODE register or by writing to the OTP using XR\_SET\_OTP.
- All enabled pull-up and pull-down resistors are maintained during USB suspend state.
- Pin configurations set using XR\_SET\_OTP are enabled following the next power up reset and are permanent. During USB bus reset, resistors are disabled and re-enabled after bus reset is deasserted. Pin configurations set using the GPIO\_MODE register will be lost after POR or USB bus reset.

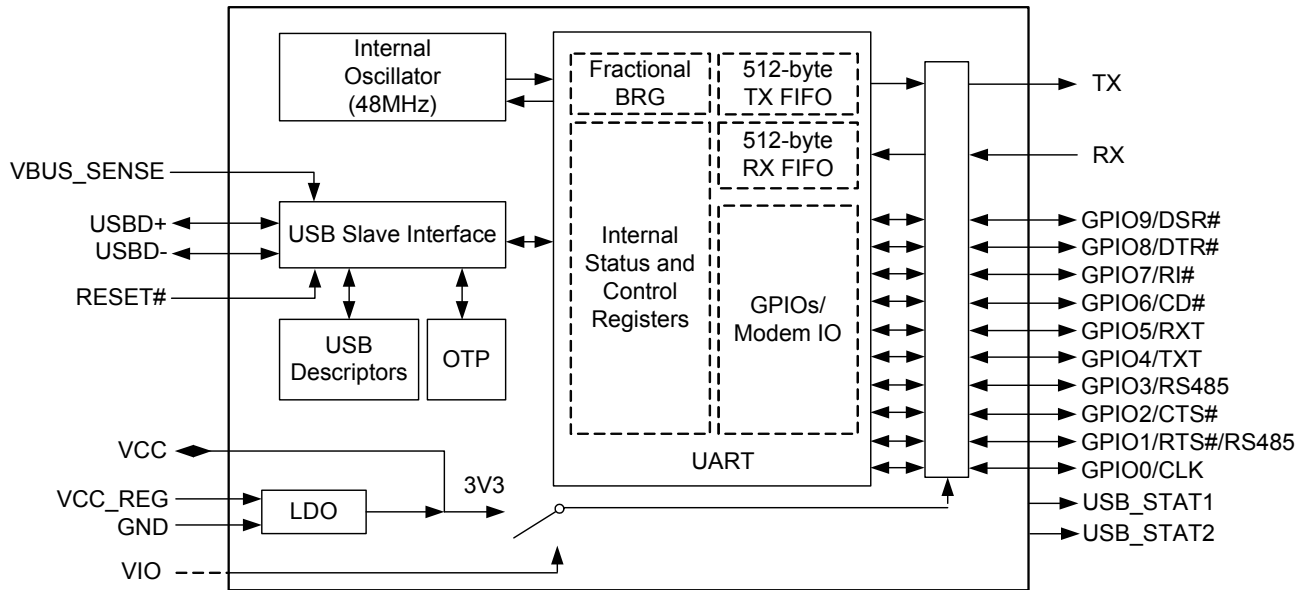
| 28-pin QFN |             |        |   |
|------------|-------------|--------|---|
| Pin No.    | Pin Name    | Type   | Description   |
| 1          | GPIO3/RS485 | I/O    | General purpose I/O, or auto RS-485 half-duplex enable. Defaults to active high push-pull output Auto RS-485 half-duplex enable.  |
| 2          | GPIO0/CLK   | I/O    | General purpose I/O, or clock or pulse output. Defaults to GPIO input with internal pull-up. See “GET / SET_GPIO_CONFIG” on page 28 and “GET / SET_PIN_CONFIG” on page 41.  |
| 3          | GND         | PWR    | Power supply common, ground.  |
| 4          | USBD+       | I/O    | USB port differential data positive input. This pin has internal pull-up resistor compliant to USB 2.0 specification. The ESD protection on this pin is +/-15 kV HBM.   |
| 5          | USBD-       | I/O    | USB port differential data negative input. The ESD protection on this pin is +/-15 kV HBM.  |
| 6          | VCC         | PWR    | 3.3V power to the device, or 3.3V power output from the device when 5V power is supplied to VCC_REG pin. 3.3V output power may source up to 200 mA maximum and should be decoupled by minimum of 4.7 uF ceramic capacitor.  |
| 7          | VCC_REG     | PWR    | 5V or 3.3V power to the device. In bus-powered mode, connect VBUS power from the USB host to this pin and to the VBUS_SENSE pin. See Figure 1. In self-powered mode, connect on board 5V or 3.3V source to this pin and VBUS from the USB host to the VBUS_SENSE pin. See Figure 2 and Figure 3.  |
| 8          | VBUS_SENSE  | I      | Must be connected to VBUS power from the USB host PC. This pin is used to disable the internal pull-up resistor on the USBD+ signal when VBUS is not present in self-powered mode.  |
| 9          | RESET#      | I/O OD | Active low open drain output. Asserted at power on or any time device is reset by either register or USB bus reset. As an input, must be asserted for at least 15 us to force a device reset. Reset pulse width input of shorter than 15 us will have unknown effects. A weak internal pull-up resistor provides noise immunity if left unconnected.  |
| 10         | GPIO9/DSR#  | I/O    | General purpose I/O, or UART Data-Set-Ready input (active low). Defaults to GPIO push-pull output. See “Automatic DTR/DSR Hardware Flow Control” on page 16.  |
| 11         | USB_STAT2   | OD     | This pin has the same functionality as the USB_STAT1 pin. However, the default output for this pin is active low polarity, asserted whenever the XR21B1421 is placed into a suspended state. This default may be changed via the PIN_CFG_USB_STAT2 register.  |
| 12         | USB_STAT1   | OD     | <p>The USB_STAT1 output pin may be used to indicate any of three USB status conditions:</p> <ol style="list-style-type: none"> <li>1. USB_STAT1 is asserted when the USB host asserts USB reset.</li> <li>2. USB_STAT1 is asserted when the USB host PC places the XR21B1421 device into the suspend state.</li> <li>3. USB_STAT1 is asserted when it is not safe to draw the amount of current requested in the Device Maximum Power field of the Configuration Descriptor. <ol style="list-style-type: none"> <li>a. For a low power device (<math>\leq 1</math> unit load or 100 mA, <math>bMaxPower \leq 0x32</math>), USB_STAT1 will be asserted when the USB UART is in the suspend mode.</li> <li>b. For a high power device (<math>bMaxPower &gt; 0x32</math>), USB_STAT1 will be asserted when the USB UART is in the suspend mode or when it is not yet configured.</li> </ol> </li> </ol> <p>The assertion polarity and status condition are selectable via the PIN_CFG_STAT1 register. The USB_STAT pin will be de-asserted whenever the selected condition(s) is / are not met. The default output for this pin is active high polarity, asserted whenever the XR21B1421 is placed into a suspended state.</p> |
| 13         | NC          |        | No Connect  |
| 14         | NC          |        | No Connect  |
| 15         | TEST#       |        | Test mode. Must be left open or pulled high to VCC for normal operation.  |

| 28-pin QFN |                  |      |   |
|------------|------------------|------|---|
| Pin No.    | Pin Name         | Type | Description   |
| 16         | GPIO8/DTR#       | I/O  | General purpose I/O, or UART Data-Terminal-Ready push-pull output (active low). Defaults to GPIO push-pull output. See <a href="#">“Automatic DTR/DSR Hardware Flow Control”</a> on page 16.  |
| 17         | GPIO7/RI#/RWK#   | I/O  | General purpose I/O, or UART Ring-Indicator input (active low) or Remote Wakeup input (active low). Defaults to GPIO input with internal pull-up.   |
| 18         | NC               |      | No Connect  |
| 19         | GPIO6/CD#        | I/O  | General purpose I/O, or UART Carrier-Detect input (active low). Defaults to GPIO input with internal pull-up.   |
| 20         | NC               |      | No Connect  |
| 21         | NC               |      | No Connect  |
| 22         | NC               |      | No Connect  |
| 23         | GPIO2/CTS#       | I/O  | General purpose I/O, or UART Clear-to-Send input (active low). Defaults to CTS input with internal pull-up. See <a href="#">“Automatic RTS/CTS Hardware Flow Control”</a> on page 15.   |
| 24         | GPIO1/RTS#/RS485 | I/O  | General purpose I/O, or UART Request-to-Send output (active low) or auto. RS-485 half-duplex enable. Defaults to open drain RTS output. See <a href="#">“GET / SET_GPIO_CONFIG”</a> on page 28 and <a href="#">“GET / SET_PIN_CONFIG”</a> on page 41.   |
| 25         | RX               | I    | UART Receive Data.  |
| 26         | TX               | O    | UART Transmit Data.   |
| 27         | GPIO5/RXT        | I/O  | General purpose I/O, or UART receive indicator. Defaults to receive indicator push-pull output. When configured as receive indicator, this pin will toggle at ~10 Hz intervals while the UART is receiving data.  |
| 28         | GPIO4/TXT        | I/O  | General purpose I/O, or UART transmit indicator. Defaults to transmit indicator push-pull output. When configured as transmit indicator, this pin will toggle at ~10 Hz intervals during UART data transmission.  |
| Center Pad | GND              | PWR  | The center pad on the back side of the QFN package is metallic and should be connected to GND on the PCB. The thermal pad size on the PCB should be the approximate size of this center pad and should be solder mask defined. The solder mask opening should be at least 0.0025" inwards from the edge of the PCB thermal pad. |

- Pin type: I=Input, O=Push-pull Output, I/O= Input/output, PWR=Power, OD=Open Drain Output with weak internal pull-up
- All GPIO pins as well as USB\_STAT1 and USB\_STAT2 may be configured for a variety of pin type options using the GPIO\_MODE register or by writing to the OTP using XR\_SET\_OTP.
- All enabled pull-up and pull-down resistors are maintained during USB suspend state.
- Pin configurations set using XR\_SET\_OTP are enabled following the next power up reset and are permanent. During USB bus reset, resistors are disabled and re-enabled after bus reset is deasserted. Pin configurations set using the GPIO\_MODE register will be lost after POR or USB bus reset.



Functional Block Diagram



## Functional Description

### USB Interface

The USB interface of the XR21B1421 is compliant with the USB 2.0 Full-Speed Specifications.

The XR21B1421 uses the following set of parameters:

- 1 Control Endpoint
  - Endpoint 0 as outlined in the USB specifications
- 1 Configuration is supported
- 1 HID Interface for the UART channel
  - Interrupt-in endpoint for UART receive data

Interrupt-out endpoint for UART transmit data

### USB Vendor and Product IDs

Exar's USB Vendor ID is 0x04E2. This is the default Vendor ID that is used for the XR21B1421. Customers may obtain their own Vendor ID from USB.org. The default USB Product ID for the XR21B1421 is 0x1421. Upon request, Exar will provide up to 8 PID values for use with Exar's VID. The VID and PID may be modified by the SET\_USB\_CONFIG HID report. However, the Exar VID and PID values will always be returned in the GET\_CHIP\_ID report (0x4F) irrespective of any changes to the VID and PID using the SET\_USB\_CONFIG report. Refer to Table 1.

### USB Suspend

All USB peripheral devices must support the USB suspend mode. Per USB standard, the XR21B1421 device will begin to enter the suspend state if it does not detect any activity, (including Start of Frame or SOF packets) on its USB data lines for 3 ms. The peripheral device must then reduce power consumption from VBUS power within the next 7 ms to the allowed limit of 2.5 mA for the suspended state. Note that in this context, the "device" is all circuitry (including the XR21B1421) that draws power from the host VBUS.

### Remote Wakeup

If the XR21B1421 device has been placed into suspend state by the USB host, the RI#/RWK# and / or RX pins may be used to request that the host exit the suspended state. By default the XR21B1421 device reports in its device attributes that it does not support remote wakeup. If remote wakeup is enabled via the OTP, the device will respond to a high to low transition on the RI#/RWK# pin if it is configured as an input, and remotely wake up the USB host. Note that Windows OS does not support remote wakeup for HID class devices that are not identified as either keyboard or mouse. RX pin remote wakeup is disabled by default and must also be separately enabled.

### USB Strings

USB specifies three character string descriptors that are provided to the USB host during enumeration in string descriptors: the manufacturer, product and serial strings. The default manufacturer, and product strings for the XR21B1421 device are "Exar Corp." and, "Exar USB UART" respectively. The serial number string is a unique alpha-numeric string programmed into the device at the factory. All character strings use Unicode UTF-16LE format by default, but the Unicode language ID may be changed for the manufacturer and product strings. The default character string language ID is US English. If the language ID is modified via OTP, the serial number string should also be modified accordingly. However, note that USB.org requires any serial number string for a specific VID/PID combination to be unique for each device.

**Table 1: USB String Descriptor Defaults**

| Descriptor          | Value         |
|---------------------|---------------|
| Exar USB Vendor ID  | 0x04E2        |
| Exar USB Product ID | 0x1421        |
| Manufacturer String | Exar Corp.    |
| Product String      | Exar USB UART |

## Device Driver

The XR21B1421 device will utilize the native OS supplied HID driver. No other driver is required, however a custom dll supplied by Exar provides a function library to any user that is developing applications that utilize the HID reporting capabilities. Exar also supplies a sample GUI using the .dll as well as source code (upon request).

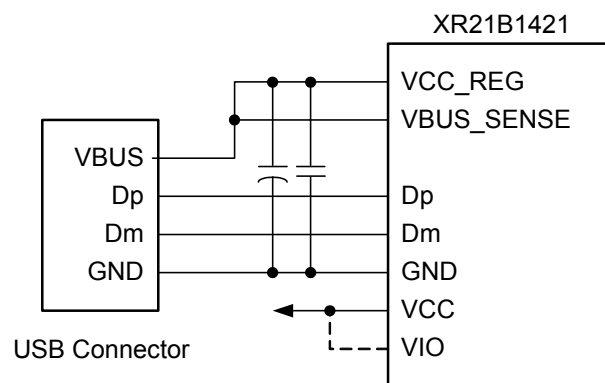
## USB Power Modes

The XR21B1421 device may be configured in any one of three power modes: Bus-powered, Self-powered 5V, or Self-powered 3.3V. In all three modes, the VBUS power signal from the USB host must be connected to the VBUS\_SENSE pin of the device.

The default power mode for the XR21B1421 is bus-powered. In this mode, a maximum power required for the USB device from the host must be specified. In this context, the USB device includes all components on the PCB that will draw power from the USB VBUS power. The default power request for the XR21B1421 is 100 mA but this may be changed using the Maxpower field of the SET\_USB\_CONFIG HID report.

## Bus-Powered

In bus-powered mode, VBUS from the USB cable supplies 5V to the XR21B1421 device. The VCC pin will supply 3.3V output. The VIO pins may be externally connected to VCC or to an alternate voltage source.

**Figure 1: Bus-Powered Mode**

## Self-Powered 5V

In self-powered 5V mode, a local source supplies 5V to the XR21B1421 device. The USB attributes should be changed using SET\_USB\_CONFIG to report self-powered mode. The VCC pin will supply 3.3V output. VIO pins may be externally connected to VCC or to an alternate voltage source.

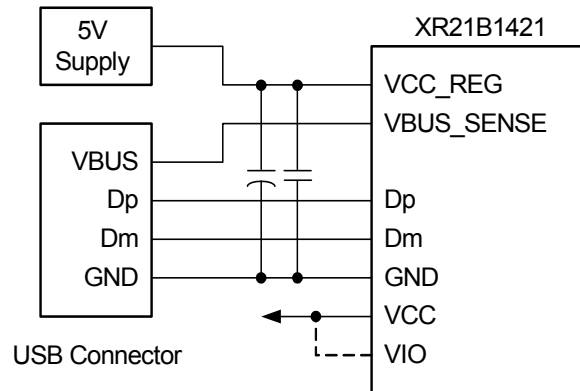


Figure 2: Self-Powered 5V Mode

## Self-Powered 3.3V

In self-powered 3.3V mode, a local source supplies 3.3V to both the VCC\_REG and VCC pins of the XR21B1421 device. The USB attributes should be changed using SET\_USB\_CONFIG to report self-powered mode. The VIO pin (on the QFN24 package) may be externally connected to VCC or to an alternate voltage source.

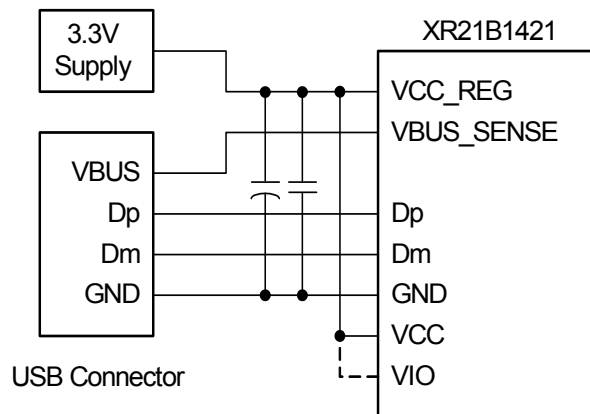


Figure 3: Self-Powered 3.3V Mode

## Reset

The XR21B1421 has four different types of resets: power-on reset or POR, hardware reset, software reset and USB bus reset. The results of each of the four types of resets are listed in [Table 2](#).

**Table 2: Device Resets**

| Reset Type           | Device Actions  |
|----------------------|---|
| Power On Reset (POR) | Resets all registers and pins to default states including any OTP modifications. Locks OTP from further writes if Global Lock is set.   |
| Hardware Reset       | Resets all registers and pins to default states including any OTP modifications. Locks OTP from further writes if Global Lock is set.   |
| Software Reset       | Reset USB Interface, re-enumerate device, reset all internal states, clear UART FIFOs. Does not reset registers or pin configurations.  |
| USB Bus Reset        | Resets USB Interface, re-enumerate device, reset all internal states, clear UART FIFOs. Does not reset registers or pin configurations. |

## UART

The UART transmitter and receiver sections are described separately below. The UART may be configured via HID reports. Wide mode is discussed in [“Wide Mode” on page 13](#).

### Transmitter

The transmitter consists of a 512-byte TX FIFO and a Transmit Shift Register (TSR). Once a SET\_TRANSMIT\_DATA report using interrupt out packets has been received and is validated, the data bytes in that packet are written into the TX FIFO. Data from the TX FIFO is transferred to the TSR when the TSR is idle or has completed sending the previous data byte. The TSR shifts the data out onto the TX output pin at the selected baud rate. The transmitter sends the start bit followed by the data bits (starting with the LSB), inserts the proper parity-bit if enabled, and adds the stop-bit(s).

The transmitter may be configured for 5, 6, 7 or 8 data bits with or without parity or 9 data bits without parity. If 5, 6, 7 or 8 bit data with parity is selected, the TX FIFO contains 8 bits data and the parity bit is automatically generated and transmitted. If 9 bit data is selected, parity cannot be generated. The 9th bit will not be transmitted unless the wide mode is enabled.

### Wide Mode

The XR21B1421 device may be configured for wide mode using the SET\_TRANSFER\_MODE (report 0x48). In wide mode the XR21B1421 checks each received character for parity, framing or overrun errors, and for break status. Note that although the GET\_UART\_STATUS (report 0x42), reports these same errors, they are historical or latched errors indicating that an error has occurred at least once since the previous GET\_UART\_STATUS report. By comparison, in wide mode, each character is accompanied by real time error and status indicators.

### Wide Mode Transmit

Wide mode may be selected with any (5, 6, 7, 8 or 9 bit) character size. For 5, 6 and 7 bit data, bits 5-7, 6-7, or 7 (respectively) are filled with '0'. Two bytes from the USB host are used to form the data character which is serialized and transmitted. The least significant bit of the second byte contains the parity bit or the 9th bit of the character in 9 bit mode. The remaining 7 bits of the second byte are discarded.

### Receiver

The receiver consists of a 512-byte RX FIFO and a Receive Shift Register (RSR). Data that is received in the RSR via the RX pin is transferred into the RX FIFO. Data from the RX FIFO is sent to the USB host by in response to a interrupt-in request. Depending on the mode, error / status information for that data character may or may not be stored in the RX FIFO with the data.

### Normal receive operation with 5, 6, 7 or 8-bit data

Received data is stored in the RX FIFO. Any parity, framing or overrun error or break status information related to the data is discarded. The receive data format is shown in [Figure 4](#).

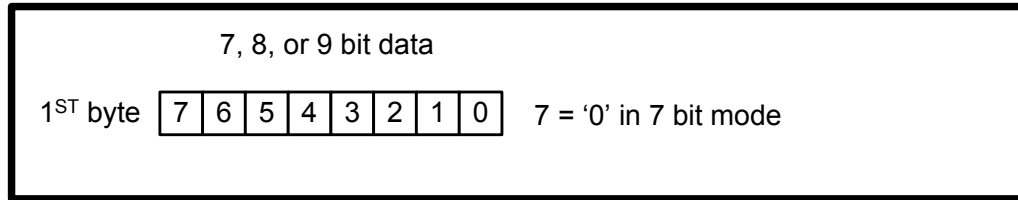


Figure 4: Normal Operation Receive Data Format

### Normal receive operation with 9-bit data

The first 8 bits of data received is stored in the RX FIFO. The 9th bit as well as any parity, framing or overrun error or break status information related to the data is discarded.

### Wide mode receive operation with 5, 6, 7 or 8-bit data

Two bytes of data are loaded into the RX FIFO for each byte of data received. The first byte is the received data. The second byte consists of the error bits and break status. The wide mode receive data format is shown in [Figure 5](#).

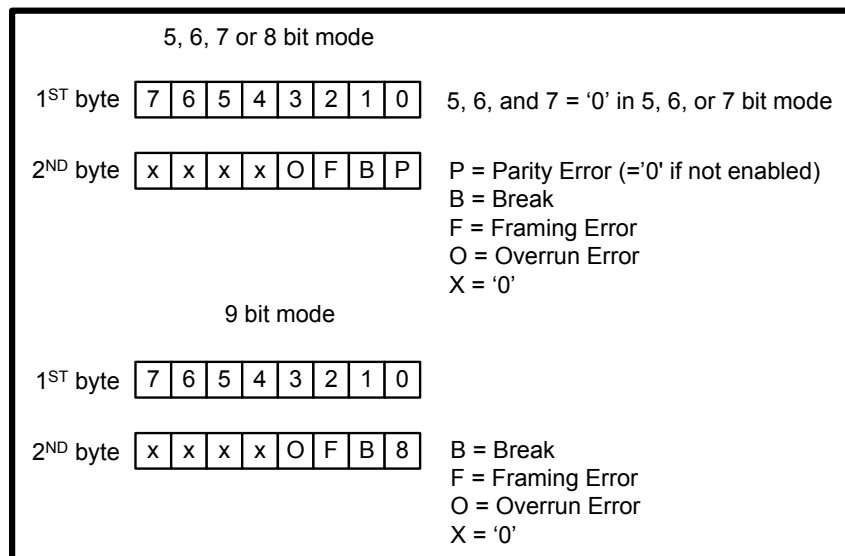


Figure 5: Wide Mode Receive Data Format

### Wide mode receive operation with 9-bit data

Two bytes of data are loaded into the RX FIFO for each byte of data received. The first byte is the first 8 bits of the received data. The 9th bit received is stored in the bit 0 of the second byte. The parity bit is not received / checked. The remainder of the 2nd byte consists of the framing and overrun error bits and break status.

## RX FIFO Low Latency

In normal operation, all bulk-in transfers will be of maxPacketSize (64) bytes to improve throughput and to minimize host processing. When there are 64 bytes of data in the RX FIFO, the XR21B1421 will acknowledge a bulk-in request from the host and transfer the data packet. If there are less than 64 bytes in the RX FIFO, the XR21B1421 may respond to the bulk-in request with a NAK indicating that data is not ready to transfer at that time. However, if there are less than 64 bytes in the RX FIFO and no data has been received for more than 3 character times, the XR21B1421 will acknowledge the bulk-in request and transfer any data in the RX FIFO to the USB host.

In some cases, especially when the baud rate is low, this behavior may increase latency unacceptably. The low latency mode is automatically set whenever the baud rate is set to a value of less than 46921 bps. Additionally, a user may manually enable the low latency mode using the SET\_TRANSFER\_MODE report (0x48) to immediately transfer any received data in the RX FIFO to the USB host without waiting for 3 character times.

## GPIO

Each UART has 10 GPIO pins in addition to the TX and RX pins. Each GPIO pin may also be configured for one or more special functions. Please refer to the pin descriptions for the default functionality of each of the general purpose I/Os.

### Clock Out

The GPIO0/CLK pin may be configured as a clock output using the SET\_PIN\_CONFIG or SET\_GPIO\_CONFIG reports. The output frequency of the clock out may be programmed between 24 MHz and approximately 47 KHz. The duty cycle may also be programmed from 50/50 to single low or high going pulse. The default values of 0 for both DIV\_HI and DIV\_LO will result in a frequency of 24 MHz. For any non-zero values for DIV\_HI and DIV\_LO, the clock frequency is determined by the formula:

$$\text{FREQ} = 24 \text{ MHz} / (\text{DIV\_HI} + \text{DIV\_LO}).$$

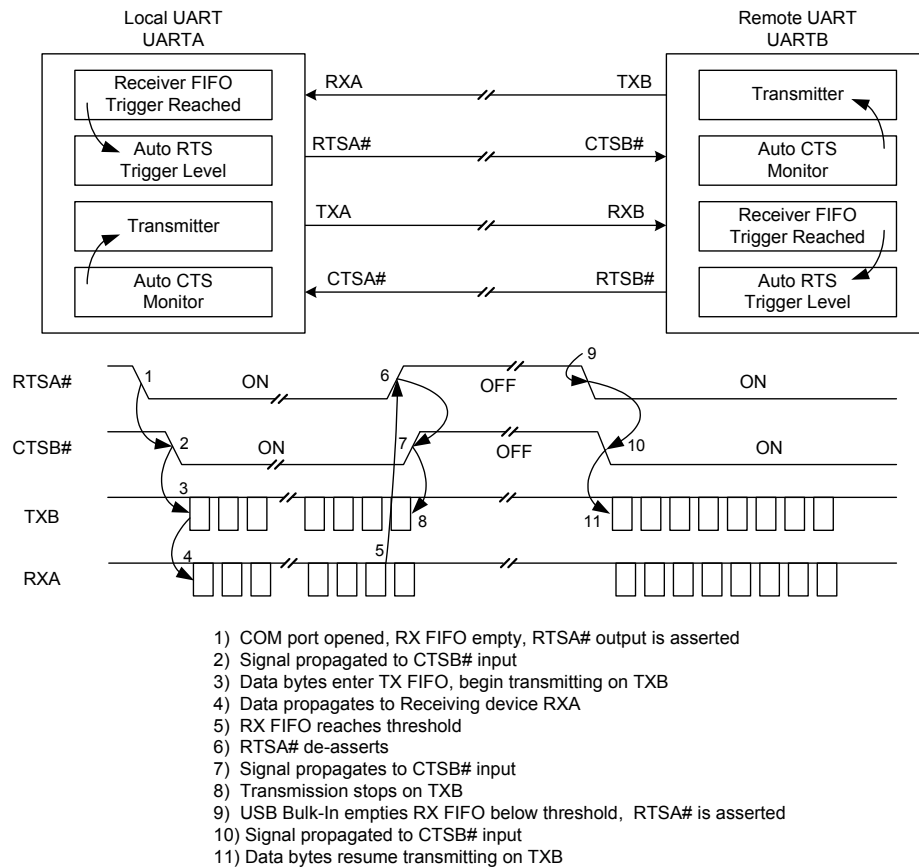
The duty cycle is determined by the ratio of DIV\_HI to DIV\_LO. GPIO0 will output this clock if is enabled in the GPIO\_MODE register.

### Flow Control

The XR21B1421 is able to perform both hardware and software flow control. Both hardware and software flow control modes are configured via the SET\_UART\_CONFIG report. In both modes, flow control is asserted when the bytes in the RX FIFO reach the watermark set in the RX\_THRESHOLD setting. Hardware flow control may either be RTS/CTS or DTR/DSR controlled. Note that although the default pin configuration for GPIO1/RTS# and GPIO2/CTS# are for RTS output and CTS input respectively, the hardware RTS/CTS flow control mode must be set in order to utilize the flow control functionality. Alternately, the pin configurations may be changed to GPIO functionality using the SET\_PIN\_CONFIG or SET\_GPIO\_CONFIG reports for these pins to be used for GPIO functionality.

### Automatic RTS/CTS Hardware Flow Control

Automatic RTS/CTS flow control is used to prevent data overrun errors in the local RX FIFO using the RTS signal to the remote UART. The RTS signal will be asserted (low) when there are less than 450 bytes in the receive FIFO. When the RX FIFO reaches the 450 byte threshold, the RTS pin will be deasserted. The CTS# input of the remote UART is monitored to suspend/restart the transmitter. Refer to [Figure 6](#). Conversely, when the remote UART reaches its receive FIFO threshold, its RTS will be deasserted, and the XR21B1421 CTS input will cause the device to suspend data transmission.



**Figure 6: Auto RTS and CTS Flow Control Operation**

### Automatic DTR/DSR Hardware Flow Control

Auto DTR/DSR hardware flow control behaves the same as the Auto RTS/CTS hardware flow control described above except that it uses the DTR# and DSR# signals. GPIO8 and GPIO9 become DTR# and DSR#, respectively, when the SET\_UART\_CONFIG or SET\_PIN\_CONFIG report configures the device for DTR/DSR hardware flow control.

### Automatic XON/XOFF Software Flow Control

When software flow control is enabled, the XR21B1421 compares the receive data characters with the programmed XON or XOFF characters. If the received character matches the programmed XOFF character, the XR21B1421 will halt transmission as soon as the current character has completed transmission. Data transmission is resumed when a received character matches the XON character.

In the receive data direction, the XOFF character will be sent when there are 450 bytes in the receive FIFO. When there are again less than 450 bytes in the RX FIFO, the XON character will be sent. This threshold may be changed using the SET\_FLOW\_CTRL\_THRESHOLD HID report.

Software flow control is enabled / disabled by the SET\_UART\_CONFIG report. Additionally, the SET\_SW\_FLOW\_CONFIG report may be used to configure the start (XON) and stop (XOFF) characters.



## Multidrop mode with address matching

The XR21B1421 device has two address matching modes which are set by the SET\_ADDR\_MATCH\_CONFIG report. These modes are intended for a multi-drop network application. In these modes, the UNI\_ADD holds a unicast address and the MULTI\_ADD holds a multicast address. An address match occurs when an address byte (9th bit or parity bit is '1') is received that matches the value stored in either the UNI\_ADD or MULTI\_ADD field. To send an address byte use 8 bit data with mark parity. To send data bytes, use 8 bit data with space parity.

## Receiver

If an address match occurs in either of the address matching modes, the address byte will not be loaded into the RX FIFO, but all subsequent data bytes will be loaded into the RX FIFO. The UART Receiver will automatically be disabled when an address byte is received that does not match the values in the UNI\_ADD or MULTI\_ADD characters.

## Transmitter

In flow control mode 3, the UART transmitter will transmit irrespective of the RX address match. In flow control mode 4, the UART will only transmit following an RX address match.

## Programmable Turn-Around Delay

By default, the selected auto RS-485 half-duplex enable pin (either GPIO3/RS485 or GPIO1/RTS#/RS485) will be de-asserted immediately after the stop bit of the last byte has been shifted. However, this may not be ideal for systems where the signal needs to propagate over long cables. Therefore, the de-assertion of the auto RS-485 half-duplex enable may be delayed from 1 to 15 bit times via the SET\_XCVR\_EN\_DELAY report to allow for the data to reach distant UARTs.

## UART Half-Duplex Mode

In half-duplex mode, the UART will ignore any data on the RX input when the UART is transmitting data. The half-duplex mode may be configured using the SET\_UART\_CONFIG report.

## IR Mode

The XR21B1421 supports IR mode at a maximum baud rate of 2.5 Mbaud with transmit pulses of 3/16th or 4/16th of a bit period and centered in the bit period. Receive data may be inverted to conform to some manufacturer's non-standard devices. IR mode is disabled by default but may be enabled by the SET\_IR\_MODE report 0x56.

## USB\_STAT Pins

The XR21B1421 has two USB\_STAT output pins that may be used to indicate 3 different statuses in either positive or negative polarity. The SUSPEND status indicates that the XR21B1421 device has been placed into a suspended state by the USB host. This output may then be used by external circuitry, for example, to power down devices in order to meet USB power requirements for suspend mode. The LOW\_POWER status is similar to the SUSPEND status, but LOW\_POWER is also asserted for high power devices (any device that consume more than 100 mA of VBUS power from the USB host), before the device is configured during enumeration by the USB host. For low power devices (devices that consume 100 mA or less of VBUS power), SUSPEND and LOW\_POWER status outputs are functionally the same. Lastly, the BUS\_RST output status is asserted any time the XR21B1421 device is being reset by the USB host. This status output could be used, for example, by an FPGA or other logic device to reset this external logic.

## Use Suspend

The USE\_SUSPEND bit controls the GPIO pins when the XR21B1421 device is suspended by the USB host. If USE\_SUSPEND is cleared to '0', GPIO pins retain their output states when the device is suspended. When USE\_SUSPEND is set to '1', GPIO pins are assigned behavior defined by the SUSPEND\_STATE and SUSPEND\_MODE fields of SET\_PIN\_CONFIG or SET\_SUSPEND\_OUTPUT\_CONFIG reports, with the following exceptions: GPIO0/CLK when configured as an output clock will always be driven low, i.e the clock output will stop, and GPIO1/RTS#/RS485 or GPIO3/RS485 when configured as an auto RS-485 half-duplex enable will always be deasserted.

The SUSPEND\_STATE field will set or clear the GPIO pin and the SUSPEND\_MODE field will configure any GPIO output as open drain or push-pull output. Refer to “GET / SET\_PIN\_CONFIG” on page 41 or “GET / SET\_SUSPEND\_OUTPUT\_CONFIG” on page 31. Configuration using the SET\_SUSPEND\_OUTPUT\_CONFIG report will be lost at the next power cycle or bus reset of the device. Configuration using the SET\_PIN\_CONFIG report will be permanent.

### **TXT and RXT Pins**

The Transmit toggle and Receive toggle pins "toggle" at a rate of approximately 10 Hz whenever the UART transmit and receive pins (respectively) are active.

### **OTP**

The OTP is an on-chip non-volatile memory, that is incrementally one-time programmable via the USB interface. Some bits are pre-programmed at the factory and caution must be taken not to program any locations except those user defined addresses given in this data sheet. Some of the HID reports result in irreversible programming of the OTP. Once a specific report programs a portion of the OTP, the lock bit for that section of the OTP will be set and further changes to that section will not be allowed. Note that all OTP writes will take immediate effect, except for setting the global lock bit (report 0x68), which requires a hardware or power on reset to take effect.

## USB Control Commands

The following table shows all of the USB Control Commands that are supported by the XR21B1421. Commands include standard USB commands, CDC-ACM commands and custom Exar commands.

**Table 3: Supported USB Control Commands**

| Name              | Request Type | Request | Value |     | Index        |        | Length  |         | Description                           |
|-------------------|--------------|---------|-------|-----|--------------|--------|---------|---------|---------------------------------------|
|                   |              |         | LSB   | MSB | LSB          | MSB    | LSB     | MSB     |                                       |
| DEV GET_STATUS    | 0x80         | 0       | 0     | 0   | 0            | 0      | 2       | 0       | Device: remote wake-up + self-powered |
| IF GET_STATUS     | 0x81         | 0       | 0     | 0   | 0            | 0      | 2       | 0       | Interface: zero                       |
| EP GET_STATUS     | 0x82         | 0       | 0     | 0   | 0x0,0x4,0x84 | 0      | 2       | 0       | Endpoint: halted                      |
| DEV CLEAR_FEATURE | 0x00         | 1       | 1     | 0   | 0            | 0      | 0       | 0       | Device remote wake-up                 |
| EP CLEAR_FEATURE  | 0x02         | 1       | 0     | 0   | 0x0,0x4,0x84 | 0      | 0       | 0       | Endpoint halt                         |
| DEV SET_FEATURE   | 0x00         | 3       | 1     | 0   | 0            | 0      | 0       | 0       | Device remote wake-up                 |
| DEV SET_FEATURE   | 0x00         | 3       | 2     | 0   | 0            | test   | 0       | 0       | Test mode - factory use only          |
| EP SET_FEATURE    | 0x02         | 3       | 0     | 0   | 0x0,0x4,0x84 | 0      | 0       | 0       | Endpoint halt                         |
| SET_ADDRESS       | 0x00         | 5       | addr  | 0   | 0            | 0      | 0       | 0       | addr = 1 to 127                       |
| GET_DESCRIPTOR    | 0x80         | 6       | 0     | 1   | 0            | 0      | len MSB | len MSB | Device descriptor                     |
| GET_DESCRIPTOR    | 0x80         | 6       | 0     | 2   | LangID       | LangID | len MSB | len MSB | Configuration descriptor              |
| GET_DESCRIPTOR    | 0x80         | 6       | 0     | 3   | 0            | 0      | len MSB | len MSB | String descriptor                     |
| GET_CONFIGURATION | 0x80         | 8       | 0     | 0   | 0            | 0      | 1       | 0       |                                       |
| SET_CONFIGURATION | 0x00         | 9       | n     | 0   | 0            | 0      | 0       | 0       | n = 0, 1                              |
| GET_INTERFACE     | 0x81         | 10      | 0     | 0   | 0            | 0      | 1       | 0       |                                       |

## HID Reports

All of the functionality of the XR21B1421 device is controlled via HID reports. Some of these reports will program the on-chip OTP memory. All of the HID reports in the OTP customization section (reports 0x47 and 0x60 through 0x67) will permanently program the on-chip OTP. All other HID reports do not program the OTP. The SET\_GPIO\_CONFIG (report 0x49) dynamically configures the GPIO pins, but does not program the OTP as does the SET\_PIN\_CONFIG report.

**Table 4: XR21B1421 HID Reports**

| Report ID                                | Report Name                     | Size   |
|--|---------------------------------|--------|
| UART Data Transfer (Interrupt Transfers) |                                 |        |
| 0X1 - 0x3F                               | SET TRANSMIT DATA               | 2 - 64 |
| 0X1 - 0x3F                               | GET RECEIVE DATA                | 2 - 64 |
| Device Configuration (Control Transfers) |                                 |        |
| 0x40                                     | SET DEVICE RESET                | 2      |
| 0x41                                     | GET / SET UART ENABLE           | 2      |
| 0x42                                     | GET UART STATUS                 | 7      |
| 0x43                                     | SET CLEAR FIFOS                 | 2      |
| 0x44                                     | GET GPIO STATE                  | 3      |
| 0x45                                     | SET GPIO STATE                  | 5      |
| 0x46                                     | GET VERSION                     | 3      |
| 0x48                                     | GET / SET TRANSFER MODE         | 3      |
| 0x49                                     | GET / SET GPIO CONFIG           | 13     |
| 0x4A                                     | GET / SET SUSPEND OUTPUT CONFIG | 5      |
| 0x4F                                     | GET CHIP ID                     | 7      |
| UART Configuration (Control Transfers)   |                                 |        |
| 0x50                                     | GET / SET UART CONFIG           | 9      |
| 0x51                                     | SET TRANSMIT LINE BREAK         | 2      |
| 0x52                                     | SET STOP LINE BREAK             | 2      |
| 0x53                                     | GET / SET SW FLOW CTRL CONFIG   | 3      |
| 0x54                                     | GET / SET ADDR MATCH CONFIG     | 3      |
| 0x55                                     | GET / SET LOOPBACK MODE         | 2      |
| 0x56                                     | GET / SET IR MODE               | 2      |
| 0x57                                     | GET / SET XCVR EN DELAY         | 2      |
| 0x58                                     | GET / SET FLOW CTRL THRESHOLD   | 3      |
| OTP Customization (Control Transfers)    |                                 |        |
| 0x47                                     | GET / SET OTP LOCK BYTE         | 3      |

**Table 4: XR21B1421 HID Reports**

| Report ID | Report Name                | Size   |
|-----------|----------------------------|--------|
| 0x60      | GET / SET USB CONFIG       | 11     |
| 0x61      | GET / SET VENDOR STRING 1  | 4 - 64 |
| 0x62      | GET / SET VENDOR STRING 2  | 2 - 64 |
| 0x63      | GET / SET PRODUCT STRING 1 | 4 - 64 |
| 0x64      | GET / SET PRODUCT STRING 2 | 2 - 64 |
| 0x65      | GET / SET SERIAL STRING    | 4 - 64 |
| 0x66      | GET / SET PIN CONFIG       | 20     |
| 0x67      | GET / SET LANG ID          | 3      |
| 0x68      | GET / SET GLOBAL LOCK      | 2      |

## HID Report Descriptions

All of the functionality of the XR21B1421 device is controlled via HID reports. Some of these reports will program the on-chip OTP memory. All of the HID reports in the OTP customization section (reports 0x47 and 0x60 through 0x67) will permanently program the on-chip OTP. All other HID reports do not program the OTP. The SET\_GPIO\_CONFIG (report 0x49) dynamically configures the GPIO pins, but does not program the OTP as does the SET\_PIN\_CONFIG report.

### SET\_TRANSMIT\_DATA

Transfer Type: Interrupt Out

Transfer Size: 2 - 64 bytes

The SET\_TRANSMIT\_DATA report transmits up to 63 bytes of data to the UART per transfer.

| Field     | Offset | Size | Value       | Description   |
|-----------|--------|------|-------------|---|
| Report ID | 0      | 1    | 0x01 - 0x3F | Indicates the size of the data transfer to be sent to the device from 1 (0x01) to 63 (0x3F) bytes excluding the report ID itself. |
| Data      | 1      | 1-63 |             | Data from USB host to UART  |

### GET\_RECEIVE\_DATA

Transfer Type: Interrupt In

Transfer Size: 2 - 64 bytes

The GET\_RECEIVE\_DATA report receives up to 63 bytes of data from the UART per transfer. This report is returned when the USB host polls the Interrupt-In endpoint at 1 ms intervals.

| Field     | Offset | Size | Value       | Description   |
|-----------|--------|------|-------------|---|
| Report ID | 0      | 1    | 0x01 - 0x3F | Indicates the size of the data transfer to be sent to the device from 1 (0x01) to 63 (0x3F) bytes excluding the report ID itself. |
| Data      | 1      | 1-63 |             | Data from USB host to UART  |

### SET\_DEVICE\_RESET

Transfer Type: Control Out

Transfer Size: 2 bytes

The SET\_DEVICE\_RESET report performs a software reset of the XR21B1421 device that resets the USB interface and clears the UART RX and TX FIFOs, but does not change any UART configuration settings or change any pin configurations. Any changes to on-chip OTP will not be reflected following the software reset. During software reset, the internal pull-up on the USB<sub>D+</sub> pin will be disabled to signal the USB host that a detach event has occurred. Following reset, the pull-up resistor will be enabled to signal an attach event to the USB host.

| Field     | Offset | Size | Value | Description                   |
|-----------|--------|------|-------|-------------------------------|
| Report ID | 0      | 1    | 0x40  | Force device hardware reset   |
| Value     | 1      | 1    |       | Set of any value forces reset |

**GET / SET\_UART\_ENABLE**

Transfer Type: Control In / Out

Transfer Size: 2 bytes

The GET / SET\_UART\_ENABLE report gets or sets the UART enable (default is disabled). Disable the UART and re-enable before sending or receiving UART data.

| Field       | Offset | Size | Value        | Description                       |
|-------------|--------|------|--------------|-----------------------------------|
| Report ID   | 0      | 1    | 0x41         | Enable / disable UART             |
| UART Enable | 1      | 1    | 0x00<br>0x01 | Disable(d)<br>Enable(d) - default |

**GET\_UART\_STATUS**

Transfer Type: Control In

Transfer Size: 7 bytes

The GET\_UART\_STATUS report returns the break and error status of the UART and number of bytes in RX and TX FIFOs. The TX and RX FIFOs hold a maximum of 512 bytes.

| Field        | Offset | Size | Value        | Description  |
|--------------|--------|------|--------------|--|
| Report ID    | 0      | 1    | 0x42         | Get status of historical error and status and RX and TX FIFO fill  |
| TX FIFO MSB  | 1      | 1    |              | Number of bytes in transmit FIFO   |
| TX FIFO LSB  | 2      | 1    |              |  |
| RX FIFO MSB  | 3      | 1    |              | Number of bytes in receive FIFO  |
| RX FIFO LSB  | 4      | 1    |              |  |
| Error Status | 5      | 1    | Error Status | Receive Error / Break status<br>Error Status indicates parity, overrun, and frame errors as well as break status for received data. Any error / break status will be latched until the status is read using the Get_UART_Status report. These bits will cleared when read.<br><br>Bit 0 - parity error - '1' indicates parity error<br>Bit 1 - overrun error - '1' indicates overrun<br>Bit 2 - framing error - '1' indicates framing error<br>Bit 3 - break status - '1' indicates break condition occurred |
| Break Status | 6      | 1    | 0x00<br>0x01 | Receive - No Line Break<br>Receive - Line Break Active   |

**SET\_CLEAR\_FIFOS**

Transfer Type: Control Out

Transfer Size: 2 bytes

The SET\_CLEAR\_FIFOS report clears the selected FIFO buffers.

| Field     | Offset | Size | Value | Description  |
|-----------|--------|------|-------|--|
| Report ID | 0      | 1    | 0x43  | Clear FIFO buffers   |
| Clear     | 1      | 1    | Value | Clears FIFOs<br>Bit 0 - '1' clears TX FIFO (self-clearing)<br>Bit 1 - '1' clears RX FIFO (self-clearing) |

**GET\_GPIO\_STATE**

Transfer Type: Control In

Transfer Size: 3 bytes

The GET\_GPIO\_STATE report gets the actual state of the GPIO or flow control pins configured as either inputs or outputs.

| Field     | Offset | Size | Value | Description                 |
|-----------|--------|------|-------|-----------------------------|
| Report ID | 0      | 1    | 0x44  | Get status of GPIO pins     |
| State MSB | 1      | 1    |       | See <a href="#">Table 5</a> |
| State LSB | 2      | 1    |       |                             |



**Table 5: Get State Bit Positions**

| Bit | GPIO/Pin | Pin Name    |
|-----|----------|-------------|
| 15  |          | Reserved    |
| 14  | S1       | USB_STAT1   |
| 13  | 9        | GPIO9/DSR#  |
| 12  | 8        | GPIO8/DTR#  |
| 11  | 7        | GPIO7/RI#   |
| 10  | 6        | GPIO6/CD#   |
| 9   |          | Reserved    |
| 8   | S2       | USB/STAT2   |
| 7   | 5        | GPIO5/RXT   |
| 6   | 4        | GPIO4/TXT   |
| 5   | RX       | RX          |
| 4   | TX       | TX          |
| 3   | 3        | GPIO3/RS485 |
| 2   | 2        | GPIO2/CTS#  |
| 1   | 1        | GPIO1/RTS#  |
| 0   | 0        | GPIO0/CLK   |

**SET\_GPIO\_STATE**

Transfer Type: Control Out

Transfer Size: 5 bytes

The SET\_GPIO\_STATE report sets the state of pins configured as either GPIO or flow control outputs. Each bit position in the state value will be asserted to the specified '1' or '0' on the GPIO pin output if the direction for that IO pin is set to output and if the corresponding bit position in the mask is set to a '1'.

| Field     | Offset | Size | Value | Description                   |
|-----------|--------|------|-------|-------------------------------|
| Report ID | 0      | 1    | 0x45  | Set status of GPIO pins       |
| State MSB | 1      | 1    |       | See <a href="#">Table 6</a>   |
| State LSB | 2      | 1    |       |                               |
| Mask MSB  | 3      | 1    |       | Mask for output state changes |
| Mask LSB  | 4      | 1    |       |                               |

**Table 6: Set State Bit Positions**

| Bit   | GPIO/Pin | Pin Name    |
|-------|----------|-------------|
| 15:14 |          | Reserved    |
| 13    | 9        | GPIO9/DSR#  |
| 12    | 8        | GPIO8/DTR#  |
| 11    | 7        | GPIO7/RI#   |
| 10    | 6        | GPIO6/CD#   |
| 9:8   |          | Reserved    |
| 7     | 5        | GPIO5/RXT   |
| 6     | 4        | GPIO4/TXT   |
| 5:4   |          | Reserved    |
| 3     | 3        | GPIO3/RS485 |
| 2     | 2        | GPIO2/CTS#  |
| 1     | 1        | GPIO1/RTS#  |
| 0     | 0        | GPIO0/CLK   |

**GET\_VERSION**

Transfer Type: Control In

Transfer Size: 7 bytes

The GET\_VERSION report gets vendor, product and revision information.

| Field     | Offset | Size | Value | Description                    |
|-----------|--------|------|-------|--------------------------------|
| Report ID | 0      | 1    | 0x46  | Get device version information |
| PID LSB   | 1      | 1    | 0x21  | Least Significant Byte of PID  |
| Revision  | 2      | 1    | 0x02  | Manufacturer revision number   |

**GET / SET\_OTP\_LOCK\_BYTE**

Transfer Type: Control In / Out

Transfer Size: 3 bytes

The GET / SET\_OTP\_LOCK\_BYTE report gets or sets lock status of on-chip OTP values. Caution: OTP fields that are locked may not be unlocked or have any further modifications.

| Field          | Offset | Size | Value | Description           |
|----------------|--------|------|-------|-----------------------|
| Report ID      | 0      | 1    | 0x47  | Get device lock bytes |
| Lock Value MSB | 1      | 1    | 0xFF  | OTP programmed fields |

| Field          | Offset | Size | Value | Description           |
|----------------|--------|------|-------|-----------------------|
| Lock Value LSB | 2      | 1    | 0x8F  | OTP programmed fields |

Table 7 shows 13 distinct fields within the OTP. Each field may be individually locked by SET\_LOCK\_BYTE report by writing a '0' in the selected bit position to lock the field. Setting a value of 0x0 will lock all of the OTP fields from any further modifications.

**Table 7: Lock State Bit Positions**

| Bit | Name               |
|-----|--------------------|
| 15  | Vendor ID String2  |
| 14  | Vendor ID String1  |
| 13  | Auto Flush Buffers |
| 12  | Release Version    |
| 11  | Power Mode         |
| 10  | bMaxPower          |
| 9   | PID                |
| 8   | VID                |
| 7   | Language ID        |
| 6:4 | Reserved           |
| 3   | Pin Config         |
| 2   | Serial String      |
| 1   | Product ID String2 |
| 0   | Product ID String1 |

## GET / SET\_TRANSFER\_MODE

Transfer Type: Control In / Out

Transfer Size: 3 bytes

The GET / SET\_TRANSFER\_MODE report reports or sets the UART wide mode.

| Field          | Offset | Size | Value     | Description                    |
|----------------|--------|------|-----------|--------------------------------|
| Report ID      | 0      | 1    | 0x48      | Get or set UART wide mode      |
| TX Wide Enable | 1      | 1    | Bit 0 = 0 | Disable TX wide mode - default |
|                |        |      | Bit 0 = 1 | Enable TX wide mode            |

| Field          | Offset | Size | Value     | Description                    |
|----------------|--------|------|-----------|--------------------------------|
| RX Wide Enable | 2      | 1    | Bit 0 = 0 | Disable RX wide mode - default |
|                |        |      | Bit 0 = 1 | Enable RX wide mode            |
|                |        |      | Bit 1 = 0 | Disable low latency            |
|                |        |      | Bit 1 = 1 | Enable low latency - default   |

## GET / SET\_GPIO\_CONFIG

Transfer Type: Control In / Out

Transfer Size: 13 bytes

The GET / SET\_GPIO\_CONFIG report contains several fields that may be used to get or set a variety of configurations for the GPIO pins, as detailed in [Table 8](#). The direction field reports or sets pins configured as GPIO as inputs or outputs. The open drain field reports or sets GPIO outputs as either push-pull or open drain. The pull-up and pull-down field enables / disables weak pull-up or pull-down resistors on GPIO inputs. The clock divisor fields set the output clock frequency for GPIO0\_CLK.

The default configuration for the XR21B1421 pins is defined by the Pin Config report (0x66). Note that the default direction and functionality of pins in the GET\_GPIO\_CONFIG report will not initially match that of the Pin Configuration report. Any changes to GPIO pins made via the SET\_GPIO\_CONFIG report will take effect immediately and will be lost following any subsequent power cycle or re-enumeration of the device. Pins configured for special functions, e.g. CLK, RTS#, etc. are not controlled by the direction, open drain, pull-up, or pull-down fields of this report.

| Field          | Offset | Size | Value                        | Description  |
|----------------|--------|------|------------------------------|--|
| Report ID      | 0      | 1    | 0x49                         | Get or set GPIO pin configuration (dynamic)  |
| Direction MSB  | 1      | 1    | See <a href="#">Table 8</a>  | Direction selection (input or output)<br>0: input<br>1: output   |
| Direction LSB  | 2      | 1    |                              |  |
| Open Drain MSB | 3      | 1    |                              | Open drain selection<br>0: pin configured as an output will be open drain<br>1: pin configured as an output will be push-pull output   |
| Open Drain LSB | 4      | 1    |                              |  |
| Pull-up MSB    | 5      | 1    |                              | Pull-up resistor enable<br>0: disables pull-up resistor on pin configured as an input<br>1: enables pull-up resistor on pin configured as an input   |
| Pull-up LSB    | 6      | 1    |                              |  |
| Pull-down MSB  | 7      | 1    |                              | Pull-down resistor enable<br>0: disables pull-down resistor on pin configured as an input<br>1: enables pull-down resistor on pin configured as an input, unless pull-up resistor is also enabled for same input pin |
| Pull-down LSB  | 8      | 1    |                              |  |
| Clk div. High  | 9      | 1    | See <a href="#">Table 9</a>  | Clock divider for high period  |
| Clk div. Low   | 10     | 1    | See <a href="#">Table 10</a> | Clock divider for low period   |
| GPIO Mode 0    | 11     | 1    | See <a href="#">Table 11</a> | Auto RS-485 half-duplex enable control   |
| GPIO Mode 1    | 12     | 1    | See <a href="#">Table 12</a> | Clock and toggle controls  |

[Table 8](#) shows the GPIO pins that may be controlled or queried by the GET / SET GPIO CONFIG report. A '1' or '0' in the appropriate bit position will control the direction, open drain selection and pull-up or pull-down for that GPIO pin.

**Table 8: GPIO Config Bit Positions**

| Bit   | GPIO/Pin | Pin Name    |
|-------|----------|-------------|
| 15:14 |          | Reserved    |
| 13    | 9        | GPIO9/DSR#  |
| 12    | 8        | GPIO8/DTR#  |
| 11    | 7        | GPIO7/RI#   |
| 10    | 6        | GPIO6/CD#   |
| 9:8   |          | Reserved    |
| 7     | 5        | GPIO5/RXT   |
| 6     | 4        | GPIO4/TXT   |
| 5:4   |          | Reserved    |
| 3     | 3        | GPIO3/RS485 |
| 2     | 2        | GPIO2/CTS#  |
| 1     | 1        | GPIO1/RTS#  |
| 0     | 0        | GPIO0/CLK   |

**Table 9: Clock Divider High Bit Positions**

| Bit | Description        |
|-----|--------------------|
| 7:0 | <b>High Period</b> |

**Table 10: Clock Divider Low Bit Positions**

| Bit | Description       |
|-----|-------------------|
| 7:0 | <b>Low Period</b> |

Output clock frequency is determined by the formula  $24 \text{ MHz} / (\text{High period} + \text{Low period})$  unless both values are 0. For example, if both Clock Divider High and Clock Divider Low are set to a value of 1, the clock will be 12 MHz with a 50% duty cycle. If both high and low periods are set to 0 the clock frequency will be 24 MHz. This clock will be selected as an output if the SET\_PIN\_CONFIG or the SET\_GPIO\_CONFIG report selects the clock output.

Output clock must be enabled by GPIO\_MODE1 CLK\_EN field of this report.

Table 11: GPIO Mode 0 Bit Positions

| Bit | Description   |
|-----|---|
| 7   | <b>Reserved</b>   |
| 6:5 | <b>RS485_SEL</b><br>00: GPIO3/RS485 pin functions as GPIO<br>01: GPIO3/RS485 pin functions as auto RS-485 half-duplex enable (RS485_PIN = '1')<br>10: GPIO3/RS485 pin asserted during UART transmit only with address match (RS485_PIN = '1')<br>11: Reserved   |
| 4   | <b>RS485_PIN</b><br>0: Selected auto RS-485 half-duplex enable pin is GPIO1/RTS#/RS485, function determined by MODEM_SEL field<br>1: Selected auto RS-485 half-duplex enable pin is GPIO3/RS485, function determined by RS485_SEL field   |
| 3   | <b>RS485_POL</b><br>0: Auto RS-485 half-duplex enable active low<br>1: Auto RS-485 half-duplex enable active high   |
| 2:0 | <b>MODEM_SEL</b><br>With MODEM_SEL = "001" for RTS/CTS flow control, H/W flow control must also be enabled in UART_CONFIG report (not default).<br><br>000: No GPIO pins used for either RTS/CTS or DTR/DSR hardware flow control<br>001: GPIO1 and GPIO2 used for hardware auto-RTS/CTS flow control - default<br>010: GPIO8 and GPIO9 used for hardware auto-DTR/DSR flow control<br>011: GPIO1/RTS#/RS485 pin asserted during UART transmit (RS485_PIN = '0')<br>100: GPIO1/RTS#/RS485 pin asserted during UART transmit only with address match (RS485_PIN = '0')<br>101 to 111: Reserved |

Table 12: GPIO Mode 1 Bit Positions

| Bit | Description  |
|-----|--|
| 7   | <b>RXT_EN</b><br>0: Disable Receive toggle output function (pin reverts to GPIO functionality)<br>1: Enable Receive toggle output function   |
| 6   | <b>TXT_EN</b><br>0: Disable Transmit toggle output function (pin reverts to GPIO functionality)<br>1: Enable Transmit toggle output function |
| 5:1 | <b>Reserved</b>  |
| 0   | <b>CLK_EN</b><br>0: Disable Clock output function (pin reverts to GPIO functionality)<br>1: Enable Clock output function                     |

**GET / SET\_SUSPEND\_OUTPUT\_CONFIG**

Transfer Type: Control In / Out

Transfer Size: 5 bytes

The GET / SET\_SUSPEND\_OUTPUT\_CONFIG report gets or sets GPIO pins state and mode when the device is suspended by the USB host if the USE\_SUSPEND bit is enabled. Suspend state is the value that is driven on the corresponding bit position in Table 13. Suspend mode configures the output to push-pull or open drain. Suspend state and suspend mode both default to 0x0000.

| Field             | Offset | Size | Value        | Description   |
|-------------------|--------|------|--------------|---|
| Report ID         | 0      | 1    | 0x4A         | Get or Set output states and modes during suspend   |
| Suspend state MSB | 1      | 1    | See Table 13 | Asserted state in suspend mode<br>0: All GPIO pins are asserted low in USB Suspend state if USE_SUSPEND = '1'<br>1: All GPIO pins are asserted high in USB Suspend state if USE_SUSPEND = '1' |
| Suspend state LSB | 2      | 1    |              |   |
| Suspend mode MSB  | 3      | 1    |              | Output mode when in suspend mode<br>0: GPIO pin is Open Drain in USB Suspend state if USE_SUSPEND = '1'<br>1: GPIO pin is Push-pull in USB Suspend state if USE_SUSPEND = '1'                 |
| Suspend mode LSB  | 4      | 1    |              |   |

**Table 13: Suspend State Mode Bit Positions**

| Bit | GPIO/Pin | Pin Name    |
|-----|----------|-------------|
| 15  |          | USE_SUSPEND |
| 14  |          | Reserved    |
| 13  | 9        | GPIO9/DSR#  |
| 12  | 8        | GPIO8/DTR#  |
| 11  | 7        | GPIO7/RI#   |
| 10  | 6        | GPIO6/CD#   |
| 9:8 |          | Reserved    |
| 7   | 5        | GPIO5/RXT   |
| 6   | 4        | GPIO4/TXT   |
| 5:4 |          | Reserved    |
| 3   | 3        | GPIO3/RS485 |
| 2   | 2        | GPIO2/CTS#  |
| 1   | 1        | GPIO1/RTS#  |
| 0   | 0        | GPIO0/CLK   |

**GET / SET\_CHIP\_ID**

Transfer Type: Control In / Out

Transfer Size: 7 bytes

The GET / SET\_CHIP\_ID report reports Exar's device manufacturer's USB Vendor and Product IDs (VID and PID) irrespective of any changes to the VID and PID using the SET\_USB\_CONFIG report. (However, values from the SET\_USB\_CONFIG report will be reported to the USB host during device enumeration.)

| Field         | Offset | Size | Value | Description            |
|---------------|--------|------|-------|------------------------|
| Report ID     | 0      | 1    | 0x4F  | Get Chip ID            |
| VID Chip LSB  | 1      | 1    | 0xE2  | LSB of Exar Vendor VID |
| VID Chip MSB  | 2      | 1    | 0x04  | MSB of Exar Vendor PID |
| PID Chip LSB  | 3      | 1    | 0x21  | LSB of Exar Vendor PID |
| PID Chip MSB  | 4      | 1    | 0x14  | MSB of Exar Vendor VID |
| Chip Revision | 5      | 1    | 0x02  | Device revision        |
| Reserved      | 6      | 1    | 0x00  | Reserved, return 0x00  |

**GET / SET\_UART\_CONFIG**

Transfer Type: Control In / Out

Transfer Size: 9 bytes

The GET / SET\_UART\_CONFIG report gets or sets baud rate, parity, flow control mode, and number of data and stop bits as well as controls auto-RS-485 half-duplex and hardware flow control modes.

| Field        | Offset | Size | Value                        | Description   |
|--------------|--------|------|------------------------------|---|
| Report ID    | 0      | 1    | 0x50                         | Get or set UART configuration   |
| Baud Rate 3  | 1      | 1    | Baud[31:24]                  | OTP programmed fields<br>Baud: Any integer value from 300 (0x0000012C) to 12,000,000 (0x00B71B00) is a valid baud rate. The default baud rate is 115,200 bps. |
| Baud Rate 2  | 2      | 1    | Baud[23:16]                  |   |
| Baud Rate 1  | 3      | 1    | Baud[15:8]                   |   |
| Baud Rate 0  | 4      | 1    | Baud[7:0]                    |   |
| Parity       | 5      | 1    | 0x00                         | No Parity (Default)   |
|              |        |      | 0x01                         | Even Parity   |
|              |        |      | 0x02                         | Odd Parity  |
|              |        |      | 0x03                         | Mark Parity   |
|              |        |      | 0x04                         | Space Parity  |
| Data Control | 6      | 1    | See <a href="#">Table 14</a> | Control flow control mode, RS-485 half-duplex mode select and polarity, and duplex  |



| Field     | Offset | Size | Value        | Description   |
|-----------|--------|------|--------------|---|
| Data bits | 7      | 1    | 0x00 or 0x05 | 5 data bits   |
|           |        |      | 0x01 or 0x06 | 6 data bits   |
|           |        |      | 0x02 or 0x07 | 7 data bits   |
|           |        |      | 0x03 or 0x08 | 8 data bits (Default)                                   |
|           |        |      | 0x04 or 0x09 | 9 data bits   |
| Stop bits | 8      | 1    | 0x00         | 1 stop bit (Default)                                    |
|           |        |      | 0x01         | 1.5 if 5 bit data, 2 stop bits if 6, 7, 8 or 9 bit data |

Table 14: Data Control Bit Positions

| Bit | Description  |
|-----|--|
| 7:4 | <b>Reserved</b>  |
| 3   | <b>HDUP</b><br>0: Disable half-duplex mode (Default)<br>1: Enable half-duplex mode   |
| 2:0 | <b>FLOW_CTL</b><br>000: No flow control (Default)<br>001: Hardware flow control<br>010: Software flow control<br>011: Multidrop mode - Receive only after address match, Tx independent<br>100: Multidrop mode - Receive / transmit only after address match<br>101 to 111: Reserved |

## SET\_TRANSMIT\_LINE\_BREAK

Transfer Type: Control Out

Transfer Size: 2 bytes

The SET\_TRANSMIT\_LINE\_BREAK report asserts a line break until the set count value is decremented to 0.

| Field     | Offset | Size | Value | Description  |
|-----------|--------|------|-------|--|
| Report ID | 0      | 1    | 0x51  | Set Line Break condition   |
| Interval  | 1      | 1    | Count | Count in ms<br>Any integer value from 1 to 255 (0xFF) is a valid interval. A value of 0 will assert the line break condition until the SET_STOP_LINE_BREAK report 0x52 is received, or until any non-zero value is decremented to 0. Any data in the TX FIFO will be purged when the line break condition is asserted. |

**SET\_STOP\_LINE\_BREAK**

Transfer Type: Control Out

Transfer Size: 2 bytes

The SET\_STOP\_LINE\_BREAK report terminates any line break condition in progress.

| Field     | Offset | Size | Value | Description                   |
|-----------|--------|------|-------|-------------------------------|
| Report ID | 0      | 1    | 0x52  | Set Stop Line Break condition |
| Value     | 1      | 1    |       | Set using any value           |

**GET / SET\_SW\_FLOW\_CTL\_CONFIG**

Transfer Type: Control In / Out

Transfer Size: 3 bytes

The GET / SET\_SW\_FLOW\_CTL\_CONFIG report gets or sets the software flow control XON and XOFF values. The XOFF value is used by the receiver to stop transmission. If the received value matches the XOFF value with software flow control enabled, the transmitter will halt transmission until a received character matches the XON value. The default XON character is 0x11 and the default XOFF character is 0x13.

| Field     | Offset | Size | Value | Description                             |
|-----------|--------|------|-------|---|
| Report ID | 0      | 1    | 0x53  | Get / Set SW Flow Control Configuration |
| XON       | 1      | 1    | Char1 | Char1 is the XON                        |
| XOFF      | 2      | 1    | Char2 | Char2 is the XOFF                       |

**GET / SET\_ADDR\_MATCH\_CONFIG**

Transfer Type: Control In / Out

Transfer Size: 3 bytes

The GET / SET\_ADDR\_MATCH\_CONFIG report gets or sets the multi-drop mode unicast and multicast address match values.

| Field     | Offset | Size | Value | Description                              |
|-----------|--------|------|-------|--|
| Report ID | 0      | 1    | 0x54  | Get / Set Address Matching Configuration |
| UNI_ADD   | 1      | 1    | Char1 | Unicast address (default value 0x11)     |
| MULTI_ADD | 2      | 1    | Char2 | Multicast address (default value 0x13)   |

**GET / SET\_LOOPBACK\_MODE**

Transfer Type: Control In / Out

Transfer Size: 2 bytes

The GET / SET\_LOOPBACK\_MODE report gets or sets internal loopback of the UART data and flow control signals.

| Field     | Offset | Size | Value        | Description                      |
|-----------|--------|------|--------------|----------------------------------|
| Report ID | 0      | 1    | 0x55         | Get / Set Internal UART Loopback |
| Loop      | 1      | 1    | See Table 15 | Loopback mode control            |

**Table 15: Loopback Mode Bit Positions**

| Bit | Description   |
|-----|---|
| 7:3 | <b>Reserved</b>   |
| 2   | <b>DTR_DSR</b><br>0: Disable loopback (default)<br>1: Enable loopback |
| 1   | <b>RTS_CTS</b><br>0: Disable loopback (default)<br>1: Enable loopback |
| 0   | <b>TX_RX</b><br>0: Disable loopback (default)<br>1: Enable loopback   |

**GET / SET\_IR\_MODE**

Transfer Type: Control In / Out

Transfer Size: 2 bytes

The GET / SET\_IR\_MODE report gets or sets the infrared mode.

| Field     | Offset | Size | Value        | Description           |
|-----------|--------|------|--------------|-----------------------|
| Report ID | 0      | 1    | 0x56         | Get / Set IR mode     |
| IR mode   | 1      | 1    | See Table 16 | Infrared mode control |

Table 16: IR Mode Bit Positions

| Bit | Description   |
|-----|---|
| 7:3 | <b>Reserved</b>   |
| 2   | <b>TX_PULSE</b><br>0: Transmit pulses are 3/16th of and centered in the bit period<br>1: Transmit pulses are 4/16th of and centered in the bit period |
| 1   | <b>RX_INVERT</b><br>0: Standard IrDA receive data<br>1: Non-standard inverted receive data  |
| 0   | <b>EN</b><br>0: Disable IR mode<br>1: Enable IR mode  |

**GET / SET\_XCVR\_EN\_DELAY**

Transfer Type: Control In / Out

Transfer Size: 2 bytes

The GET / SET\_XCVR\_EN\_DELAY report gets or sets the delay in deasserting the or auto RS-485 half-duplex enable.

| Field     | Offset | Size | Value        | Description                                    |
|-----------|--------|------|--------------|--|
| Report ID | 0      | 1    | 0x57         | Get / Set auto RS-485 half-duplex enable delay |
| Delay     | 1      | 1    | See Table 17 | Values from 0 - 15 baud times                  |

Table 17: Delay Bit Positions

| Bit | Description     |
|-----|-----------------|
| 7:4 | <b>Reserved</b> |
| 3:0 | <b>Delay</b>    |

**GET / SET\_FLOW\_CTRL\_THRESHOLD**

Transfer Type: Control In / Out

Transfer Size: 3 bytes

The GET / SET\_FLOW\_CTRL\_THRESHOLD report gets or sets flow control threshold used in hardware and software flow control. The default flow control threshold is 0x1C2 or 450 decimal. For hardware flow control RTS or DTR will be deasserted (high) when the receive FIFO exceeds the flow control threshold and asserted low at or below the threshold. For software flow control the XOFF character is pushed into the transmit FIFO and transmitted to the remote UART above the threshold and the XON character is transmitted at the threshold setting.

| Field     | Offset | Size | Value | Description                                    |
|-----------|--------|------|-------|--|
| Report ID | 0      | 1    | 0x58  | Get / Set auto RS-485 half-duplex enable delay |

| Field         | Offset | Size | Value        | Description         |
|---------------|--------|------|--------------|---------------------|
| Threshold MSB | 1      | 1    | See Table 18 | Values from 0 - 511 |
| Threshold LSB | 2      | 1    |              |                     |

**Table 18: Flow Control Threshold Bit Positions**

| Bit  | Description   |
|------|---------------|
| 15:9 | Reserved      |
| 8    | Threshold MSB |
| 7:0  | Threshold LSB |

**GET / SET\_USB\_CONFIG**

Transfer Type: Control In / Out

Transfer Size: 11 bytes

The GET / SET\_USB\_CONFIG report gets or sets USB configuration data, including VID, PID, max power, attributes, device release number, as well as a UART FIFO flush control. Set permanently programs on-chip OTP. Six fields defined in the mask may be individually programmed. Once a field is programmed, any attempt to program that field again will be ignored.

| Field      | Offset | Size | Value                        | Description   |
|------------|--------|------|------------------------------|---|
| Report ID  | 0      | 1    | 0x60                         | Get / Set Flow USB Configuration data   |
| VID LSB    | 1      | 1    | VID                          | USB Vendor ID<br>Vendor ID obtained from USB.org. The default VID is Exar's assigned VID: 0x04E2.   |
| VID MSB    | 2      | 1    |                              |   |
| PID LSB    | 3      | 1    | PID                          | USB Product ID<br>Product ID specified by vendor. The default PID is Exar's assigned PID: 0x1421.   |
| PID MSB    | 4      | 1    |                              |   |
| MAXPOWER   | 5      | 1    | bMaxPower                    | USB device bMaxPower in 2 mA units<br>Must be less than or equal to 100 mA (0x32) for a low power device and 500 mA (0xFA) for a high power device. The default MAXPOWER is 0x32. |
| ATTRIBUTES | 6      | 1    | See <a href="#">Table 19</a> | USB bmAttributes  |
| REL_MAJOR  | 7      | 1    |                              |   |
| REL_MINOR  | 8      | 1    |                              |   |
| AUTO_FLUSH | 9      | 1    | See <a href="#">Table 20</a> |   |
| MASK       | 10     | 1    | See <a href="#">Table 21</a> |   |

**Table 19: Attributes Bit Positions**

| Bit | Description  |
|-----|--|
| 7:4 | <b>Reserved</b>  |
| 3   | <b>REM_WAKE_EN</b><br>0: No remote wakeup support (Default)<br>1: Remote wakeup supported              |
| 2   | <b>REM_WAKE_VALID</b><br>0: REM_WAKE_EN bit not valid (Default)<br>1: REM_WAKE_EN bit valid            |
| 1:0 | <b>POWER_MODE</b><br>00: Bus Powered (Default)<br>01: Self Powered<br>10: Self Powered<br>11: Reserved |

Table 20: Auto Flush Bit Positions

| Bit | Description  |
|-----|--|
| 7:4 | <b>Reserved</b>  |
| 3   | <b>RX_CLOSE</b><br>0: Do not automatically flush buffers on UART enable/disable condition. (Default)<br>1: Automatically flush buffers on UART enable/disable condition. |
| 2   | <b>RX_OPEN</b><br>0: Do not automatically flush buffers on UART enable/disable condition. (Default)<br>1: Automatically flush buffers on UART enable/disable condition.  |
| 1   | <b>TX_CLOSE</b><br>0: Do not automatically flush buffers on UART enable/disable condition. (Default)<br>1: Automatically flush buffers on UART enable/disable condition. |
| 0   | <b>TX_OPEN</b><br>0: Do not automatically flush buffers on UART enable/disable condition. (Default)<br>1: Automatically flush buffers on UART enable/disable condition.  |

Table 21: Mask Bit Positions

| Bit | Description       |
|-----|-------------------|
| 7:6 | <b>Reserved</b>   |
| 5   | <b>AUTO_FLUSH</b> |
| 4   | <b>REL</b>        |
| 3   | <b>POWER_MODE</b> |
| 2   | <b>ATTRIBUTES</b> |
| 1   | <b>PID</b>        |
| 0   | <b>VID</b>        |

To program any of the fields, the corresponding mask bit must be set to a '1'. (Write only, will read back '0'.)

## GET / SET\_VENDOR\_STRING1

Transfer Type: Control In / Out

Transfer Size: 64 bytes

The GET / SET\_VENDOR\_STRING1 report gets or sets up to 61 bytes (30 1/2 unicode characters) of vendor string.

| Field     | Offset | Size | Value | Description               |
|-----------|--------|------|-------|---------------------------|
| Report ID | 0      | 1    | 0x61  | Get / Set Vendor string 1 |
| LENGTH    | 1      | 1    |       | String Length + 2 bytes   |

| Field     | Offset | Size | Value | Description                          |
|-----------|--------|------|-------|--------------------------------------|
| DESC_TYPE | 2      | 1    | 0x03  | Descriptor type                      |
| STRING    | 3      | 61   |       | 61 ASCII / 30 1/2 Unicode Characters |

### GET / SET\_VENDOR\_STRING2

Transfer Type: Control In / Out

Transfer Size: 64 bytes

The GET / SET\_VENDOR\_STRING report gets or sets up to 63 bytes (31 1/2 unicode characters) of vendor string.

| Field     | Offset | Size | Value | Description                          |
|-----------|--------|------|-------|--------------------------------------|
| Report ID | 0      | 1    | 0x62  | Get / Set Product string 2           |
| STRING    | 1      | 63   |       | 63 ASCII / 31 1/2 Unicode Characters |

Vendor string 1 and string 2 combined may set a maximum of 124 ASCII or 62 Unicode UTF-16 characters.

### GET / SET\_PRODUCT\_STRING1

Transfer Type: Control In / Out

Transfer Size: 4 - 64 bytes

The GET / SET\_PRODUCT\_STRING1 report gets or sets up to 61 bytes (30 1/2 unicode characters) of product string.

| Field     | Offset | Size | Value | Description                          |
|-----------|--------|------|-------|--------------------------------------|
| Report ID | 0      | 1    | 0x63  | Get / Set Product string 1           |
| LENGTH    | 1      | 1    |       | String Length + 2 bytes              |
| DESC_TYPE | 2      | 1    | 0x03  | Descriptor type                      |
| STRING    | 3      | 61   |       | 61 ASCII / 30 1/2 Unicode Characters |

### GET / SET\_PRODUCT\_STRING2

Transfer Type: Control In / Out

Transfer Size: 2 - 64 bytes

The GET / SET\_PRODUCT\_STRING2 report gets or sets up to remaining 63 bytes (31 1/2 unicode characters) of product string.

| Field     | Offset | Size | Value | Description                          |
|-----------|--------|------|-------|--------------------------------------|
| Report ID | 0      | 1    | 0x64  | Get / Set Product string 2           |
| STRING    | 1      | 63   |       | 63 ASCII / 31 1/2 Unicode Characters |



Product string 1 and string 2 combined may set a maximum of 124 ASCII or 62 Unicode UTF=16 characters.

## GET / SET\_SERIAL\_STRING

Transfer Type: Control In / Out

Transfer Size: 4 - 64 bytes

The GET / SET\_SERIAL\_STRING report gets or sets a up to 61 bytes (30 1/2 unicode characters) of product string.

| Field     | Offset | Size | Value | Description                          |
|-----------|--------|------|-------|--------------------------------------|
| Report ID | 0      | 1    | 0x65  | Get / Set Product string 1           |
| LENGTH    | 1      | 1    |       | String Length + 2 bytes              |
| DESC_TYPE | 2      | 1    | 0x03  | Descriptor type                      |
| STRING    | 3      | 61   |       | 61 ASCII / 30 1/2 Unicode Characters |

## GET / SET\_PIN\_CONFIG

Transfer Type: Control In / Out

Transfer Size: 20 bytes

The GET / SET\_PIN\_CONFIG report gets or sets Pin configurations, including selection of pin functionality, push-pull or open drain if pin is an output, pull-up and pull-down resistor controls, remote wakeup control, USB\_STAT functionality selection, suspend configurations, and clock output duty cycle and frequency. The SET\_PIN\_CONFIG report may only be used once. All further attempts to use this report will be ignored by the device.

| Field     | Offset | Size | Value                        | Description                  |
|-----------|--------|------|------------------------------|------------------------------|
| Report ID | 0      | 1    | 0x66                         | Get / Set pin configurations |
| CLK       | 1      | 1    | See <a href="#">Table 22</a> | CLK pin configuration        |
| RTS       | 2      | 1    | See <a href="#">Table 23</a> | RTS pin configuration        |
| CTS       | 3      | 1    | See <a href="#">Table 22</a> | CTS pin configuration        |
| RS485     | 4      | 1    |                              | RS485 pin configuration      |
| TXT       | 5      | 1    |                              | TXT pin configuration        |
| RXT       | 6      | 1    |                              | RXT pin configuration        |
| CD        | 7      | 1    | See <a href="#">Table 24</a> | CD pin configuration         |
| RI        | 8      | 1    | See <a href="#">Table 25</a> | RI pin configuration         |
| DTR       | 9      | 1    | See <a href="#">Table 23</a> | DTR pin configuration        |
| DSR       | 10     | 1    | See <a href="#">Table 22</a> | DSR pin configuration        |
| UART_DATA | 11     | 1    | See <a href="#">Table 26</a> | Rx / Tx pin configuration    |
| USB_STAT1 | 12     | 1    | See <a href="#">Table 27</a> | USB_STAT1 pin configuration  |
| USB_STAT2 | 13     | 1    |                              | USB_STAT2 pin configuration  |

| Field             | Offset | Size | Value        | Description   |
|-------------------|--------|------|--------------|---|
| SUSPEND_STATE_MSB | 14     | 1    | See Table 28 | GPIO State During Suspend<br>(when USE_SUSPEND is set)<br>0: All GPIO pins asserted low in USB Suspend state<br>1: All GPIO pins asserted high in USB Suspend state |
| SUSPEND_STATE_LSB | 15     | 1    |              |   |
| SUSPEND_MODE_MSB  | 16     | 1    | See Table 29 | GPIO Mode During Suspend<br>(when USE_SUSPEND is set)<br>0: GPIO pin is Open Drain when is USB Suspend state<br>1: GPIO pin is Push-pull when is USB Suspend state  |
| SUSPEND_MODE_LSB  | 17     | 1    |              |   |
| RS485_POL         | 18     | 1    |              | Auto RS-485 half-duplex polarity<br>0: auto RS-485 half-duplex enable active low<br>1: auto RS-485 half-duplex enable active high                                   |
| CLKOUT_DIV        | 19     | 1    |              | Output clock frequency<br>8-bit value sets output clock frequency divider. Freq out = 2 MHz / 2 x CLK-OUT_DIV   |

Default configuration for each pin is shown in Table 30.

**Table 22: CLK, CTS, RS485, TXT, RXT, DSR Pin Bit Positions**

| Bit | Description   |
|-----|---|
| 7   | <b>PULL_U</b><br>0: disable pull-up resistor<br>1: enable pull-up resistor  |
| 6   | <b>PULL_D</b><br>0: disable pull-down resistor<br>1: enable pull-down resistor if pull-up is not enabled as well  |
| 5:2 | <b>Reserved</b>   |
| 1:0 | <b>CONFIG</b><br>00: GPIO Input<br>01: GPIO Open drain output<br>10: GPIO Push-pull output<br>11: CLK, RS485, TXT, RXT functionality outputs, CTS, DSR functionality inputs<br>If CTS or DSR functions are selected, RTS and DTR functions (respectively) must also be selected and DTR and RTS functions (respectively) must be configured as GPIOs. |

Table 23: RTS, DTR Pin Bit Positions

| Bit | Description   |
|-----|---|
| 7   | <b>PULL_U</b><br>0: disable pull-up resistor<br>1: enable pull-up resistor  |
| 6   | <b>PULL_D</b><br>0: disable pull-down resistor<br>1: enable pull-down resistor if pull-up is not enabled as well  |
| 5:3 | <b>Reserved</b>   |
| 2:0 | <b>CONFIG</b><br>000: GPIO Input<br>001: GPIO Open drain output<br>010: GPIO Push-pull output<br>011: RTS, DTR Open drain output (default)<br>100: RTS, DTR Push-pull output<br>101 to 111: Reserved<br>If RTS or DTR function is selected, CTS or DSR function (respectively) must also be selected and DSR and CTS function (respectively) must be configured as GPIOs. |

Table 24: CD Pin Bit Positions

| Bit | Description  |
|-----|--|
| 7   | <b>PULL_U</b><br>0: disable pull-up resistor<br>1: enable pull-up resistor                                       |
| 6   | <b>PULL_D</b><br>0: disable pull-down resistor<br>1: enable pull-down resistor if pull-up is not enabled as well |
| 5:2 | <b>Reserved</b>  |
| 1:0 | <b>CONFIG</b><br>00: GPIO Input<br>01: GPIO Open drain output<br>10: GPIO Push-pull output<br>11: Reserved       |

Table 25: RI Pin Bit Positions

| Bit | Description  |
|-----|--|
| 7   | <b>PULL_U</b><br>0: disable pull-up resistor<br>1: enable pull-up resistor   |
| 6   | <b>PULL_D</b><br>0: disable pull-down resistor<br>1: enable pull-down resistor if pull-up is not enabled as well   |
| 5   | <b>RMTWK</b><br>0: disable remote wakeup capability for RI pin<br>1: enable remote wakeup capability for RI pin. (Remote wakeup must be enabled in SET_USB_CONFIG [Attributes] report 0x60.) |
| 4:2 | <b>Reserved</b>  |
| 1:0 | <b>CONFIG</b><br>00: GPIO Input (default)<br>01: GPIO Open drain output<br>10: GPIO Push-pull output<br>11: RI input   |

Table 26: UART\_DATA Pin Bit Positions

| Bit | Description  |
|-----|--|
| 7   | <b>PULL_U</b><br>0: disable Rx pull-up resistor<br>1: enable pull-up resistor  |
| 6   | <b>PULL_D</b><br>0: disable Rx pull-down resistor<br>1: enable pull-down resistor if pull-up is not enabled as well  |
| 5   | <b>RMTWK</b><br>0: disable remote wakeup capability for RX pin<br>1: enable remote wakeup capability for RX pin. (Remote wakeup must be enabled in SET_USB_CONFIG [Attributes] report 0x60.) |
| 4:2 | <b>Reserved</b>  |
| 1:0 | <b>CONFIG</b><br>00: Reserved<br>01: TX Open drain output<br>10: TX Push-pull output<br>11: Reserved   |

**Table 27: USB\_STAT1 / USB\_STAT2 Pin Configuration Bit Positions**

| Bit | Description  |
|-----|--|
| 7:5 | <b>Reserved</b>  |
| 4:2 | <b>FXN</b><br>000: USB_STAT1 asserted high, USB_STAT2 low during either suspend state or USB reset<br>001: SUSPEND: Asserted high when in USB suspend state<br>010: LOW_POWER: Asserted high when in USB suspend state or not yet configured<br>011: BUS_RST: Asserted high when USB bus reset is asserted<br>100: same as "000"<br>101: SUSPEND#: Asserted low when in USB suspend state<br>110: LOW_POWER#: Asserted low when in USB suspend state or not yet configured<br>111: BUS_RST#: Asserted low when USB bus reset is asserted |
| 1:0 | <b>CONFIG</b><br>00: Reserved<br>01: USB_STAT1/2 Open drain output<br>10: USB_STAT1/2 Push-pull output<br>11: Reserved   |

**Table 28: SUSPEND\_STATE Bit Positions**

| Bit   | GPIO/Pin | Pin Name    |
|-------|----------|-------------|
| 15:14 |          | Reserved    |
| 13    | 9        | GPIO9/DSR#  |
| 12    | 8        | GPIO8/DTR#  |
| 11    | 7        | GPIO7/RI#   |
| 10    | 6        | GPIO6/CD#   |
| 9:8   |          | Reserved    |
| 7     | 5        | GPIO5/RXT   |
| 6     | 4        | GPIO4/TXT   |
| 5:4   |          | Reserved    |
| 3     | 3        | GPIO3/RS485 |
| 2     | 2        | GPIO2/CTS#  |
| 1     | 1        | GPIO1/RTS#  |
| 0     | 0        | GPIO0/CLK   |

**Table 29: SUSPEND\_MODE Bit Positions**

| Bit | GPIO/Pin | Pin Name     |
|-----|----------|--------------|
| 15  |          | USE_SUSPEND* |
| 14  |          | Reserved     |
| 13  | 9        | GPIO9/DSR#   |
| 12  | 8        | GPIO8/DTR#   |
| 11  | 7        | GPIO7/RI#    |
| 10  | 6        | GPIO6/CD#    |
| 9:8 |          | Reserved     |
| 7   | 5        | GPIO5/RXT    |
| 6   | 4        | GPIO4/TXT    |
| 5:4 |          | Reserved     |
| 3   | 3        | GPIO3/RS485  |
| 2   | 2        | GPIO2/CTS#   |
| 1   | 1        | GPIO1/RTS#   |
| 0   | 0        | GPIO0/CLK    |

\* USE\_SUSPEND is a control signal that controls the GPIO pins listed in [Table 28](#) and [Table 29](#) when the XR21B1421 device is suspended by the USB host. If USE\_SUSPEND is cleared to '0', GPIO pins retain the same output states when the device is suspended as they had prior to suspend. When USE\_SUSPEND is set to '1', GPIO pins are assigned behavior defined by the SUSPEND\_STATE and SUSPEND\_MODE fields of SET\_PIN\_CONFIG report, with the following exceptions: GPIO0/CLK when configured as an output clock will always be driven low, i.e the clock output will stop, and GPIO1/RTS#/RS485 or GPIO3/RS485 when configured as a auto RS-485 half-duplex enable will always be deasserted.

Table 30: Default Pin Configuration

| Pin              | Default Value | Default Configuration            |
|------------------|---------------|----------------------------------|
| RX               |               | Rx Data Input (not configurable) |
| TX               | 0x02          | Data P-P Output                  |
| GPIO0/CLK        | 0x00          | GPIO Input                       |
| GPIO1/RTS#/RS485 | 0x03          | RTS OD Output*                   |
| GPIO2/CTS#       | 0x03          | CTS Input*                       |
| GPIO3/RS485      | 0x03          | RS-485 half-duplex Ctrl PP       |
| GPIO4/TXT        | 0x03          | TX Toggle PP Output              |
| GPIO5/RXT        | 0x03          | RX Toggle PP Output              |
| GPIO6/CD#        | 0x00          | GPIO Input                       |
| GPIO7/RI#        | 0x00          | GPIO Input                       |
| GPIO8/DTR#       | 0x02          | GPIO PP Output                   |
| GPIO9/DSR#       | 0x02          | GPIO PP Output                   |
| USB_STAT1        | 0xA           | SUSPEND PP Output                |
| USB_STAT2        | 0x1A          | SUSPEND# PP Output               |

\* Although GPIO1/RTS#/RS485 and GPIO2/CTS# have RTS# and CTS# functionality by default, H/W RTS/CTS flow control must be enabled before using this function.

## GET / SET\_LANGID

Transfer Type: Control In / Out

Transfer Size: 3 bytes

The GET / SET\_LANGID report gets or sets unicode UTF-16 Language ID. Default Language ID code is 0x0409

| Field      | Offset | Size | Value | Description                      |
|------------|--------|------|-------|----------------------------------|
| Report ID  | 0      | 1    | 0x67  | Get / Set Unicode Language ID    |
| LANGID LSB | 1      | 1    | 0x09  | LSB of UTF-16LE Language ID code |
| LANGID MSB | 2      | 1    | 0x04  | MSB of UTF-16LE Language ID code |

## GET / SET\_GLOBAL\_LOCK

Transfer Type: Control In / Out

Transfer Size: 2 bytes

The GET / SET\_GLOBAL\_LOCK report gets or sets unicode UTF-16 Language ID. Device must have either hardware or power on reset before the global lock takes effect.

| Field       | Offset | Size | Value | Description                           |
|-------------|--------|------|-------|---------------------------------------|
| Report ID   | 0      | 1    | 0x68  | Get / Set Unicode Language ID         |
| Global Lock | 2      | 1    | 0x00  | Set bit 0 to a '1' to set Global Lock |

## Application Circuits

The GPIO inputs are 5V tolerant. However, when GPIO input voltage levels exceed VIO, an external clamp circuit is required to prevent VIO from increasing. Two examples of different application circuits are shown in [Figure 7](#).

### VIO Clamp Circuits

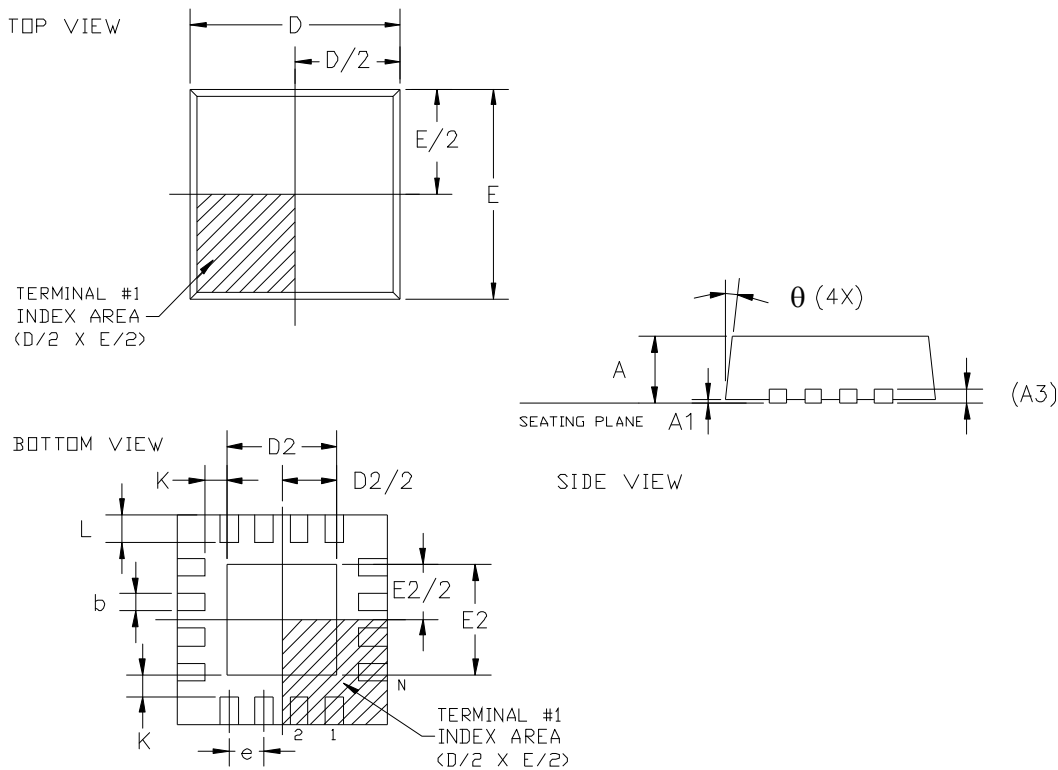


Figure 7: VIO Clamp Circuits



Mechanical Dimensions

24-Pin QFN and 28-Pin QFN



| 24LD 4x4 QFN (OPTION 1) JEDEC MO-220 Variation VGGD-6 |                                    |      |      |  |       |       |
|---|------------------------------------|------|------|--|-------|-------|
| SYMBOLS   | DIMENSIONS IN MM<br>(Control Unit) |      |      | DIMENSIONS IN INCH<br>(Reference Unit) |       |       |
|   | MIN                                | NOM  | MAX  | MIN                                    | NOM   | MAX   |
| A   | 0.80                               | 0.90 | 1.00 | 0.032                                  | 0.036 | 0.039 |
| A1  | 0.00                               | 0.02 | 0.05 | 0.000                                  | 0.001 | 0.002 |
| A3  | 0.20 REF                           |      |      | 0.008 REF                              |       |       |
| b   | 0.18                               | 0.25 | 0.30 | 0.007                                  | 0.010 | 0.012 |
| D   | 4.00 BSC                           |      |      | 0.157 BSC                              |       |       |
| D2  | 2.50                               | 2.65 | 2.80 | 0.098                                  | 0.104 | 0.110 |
| E   | 4.00 BSC                           |      |      | 0.157 BSC                              |       |       |
| E2  | 2.50                               | 2.65 | 2.80 | 0.098                                  | 0.104 | 0.110 |
| e   | 0.50 BSC                           |      |      | 0.020 BSC                              |       |       |
| L   | 0.35                               | 0.40 | 0.45 | 0.014                                  | 0.016 | 0.018 |
| K   | 0.20                               | —    | —    | 0.008                                  | —     | —     |
| $\theta$  | 0°                                 | —    | 14°  | 0°                                     | —     | 14°   |
| N   | 24                                 |      |      | 24                                     |       |       |
| ND  | 6                                  |      |      | 6                                      |       |       |
| NE  | 6                                  |      |      | 6                                      |       |       |

| 28LD 5x5 QFN (OPTION 2) JEDEC MO-220 Variation VHHD-3 |                |      |      |  |       |       |
|---|----------------|------|------|--|-------|-------|
| SYMBOLS   | (Control Unit) |      |      | DIMENSIONS IN INCH<br>(Reference Unit) |       |       |
|   | MIN            | NOM  | MAX  | MIN                                    | NOM   | MAX   |
| A   | 0.80           | 0.90 | 1.00 | 0.032                                  | 0.035 | 0.039 |
| A1  | 0.00           | 0.02 | 0.05 | 0.000                                  | 0.001 | 0.002 |
| A3  | 0.20 REF       |      |      | 0.008 REF                              |       |       |
| b   | 0.18           | 0.25 | 0.30 | 0.007                                  | 0.010 | 0.012 |
| D   | 5.00 BSC       |      |      | 0.197 BSC                              |       |       |
| D2  | 3.15           | 3.25 | 3.35 | 0.124                                  | 0.128 | 0.132 |
| E   | 5.00 BSC       |      |      | 0.197 BSC                              |       |       |
| E2  | 3.15           | 3.25 | 3.35 | 0.124                                  | 0.128 | 0.132 |
| e   | 0.50 BSC       |      |      | 0.020 BSC                              |       |       |
| L   | 0.45           | 0.55 | 0.65 | 0.018                                  | 0.022 | 0.026 |
| K   | 0.20           | —    | —    | 0.008                                  | —     | —     |
| $\theta$  | 0°             | —    | 14°  | 0°                                     | —     | 14°   |
| N   | 28             |      |      | 28                                     |       |       |
| ND  | 7              |      |      | 7                                      |       |       |
| NE  | 7              |      |      | 7                                      |       |       |

## Ordering Information

| Part Number       | Package    | Green | Operating Temperature Range | Packaging Quantity | Marking  |
|-------------------|------------|-------|-----------------------------|--------------------|----------|
| XR21B1421IL24-F   | 24-pin QFN | Yes   | -40°C to +85°C              | 490 / Tray         | XR1421IL |
| XR21B1421IL24TR-F | 24-pin QFN | Yes   | -40°C to +85°C              | 3000 / Reel        | XR1421IL |
| XR21B1421IL28-F   | 28-pin QFN | Yes   | -40°C to +85°C              | 490 / Tray         | XR1421IL |
| XR21B1421IL28TR-F | 28-pin QFN | Yes   | -40°C to +85°C              | 3000 / Reel        | XR1421IL |

## Revision History

| Revision | Date         | Description   |
|----------|--------------|---|
| 1A       | April 2014   | Initial release   |
| 1B       | October 2014 | Removed "contact factory" notice for 28 QFN package [ECN1442-07   10/14/2014] |

For Further Assistance:

Email: [UARTtechsupport@exar.com](mailto:UARTtechsupport@exar.com)

Exar Technical Documentation: <http://www.exar.com/techdoc/>

**Exar Corporation Headquarters and Sales Offices**  
 48720 Kato Road Tel: +1 (510) 668-7000  
 Fremont, CA 95438 - USA Fax: +1 (510) 668-7001



A New Direction in Mixed-Signal

### NOTICE

EXAR Corporation reserves the right to make changes to the products contained in this publication in order to improve design, performance or reliability. EXAR Corporation assumes no responsibility for the use of any circuits described herein, conveys no license under any patent or other right, and makes no representation that the circuits are free of patent infringement. Charts and schedules contained herein are only for illustration purposes and may vary depending upon a user's specific application. While the information in this publication has been carefully checked; no responsibility, however, is assumed for inaccuracies.

EXAR Corporation does not recommend the use of any of its products in life support applications where the failure or malfunction of the product can reasonably be expected to cause failure of the life support system or to significantly affect its safety or effectiveness. Products are not authorized for use in such applications unless EXAR Corporation receives, in writing, assurances to its satisfaction that: (a) the risk of injury or damage has been minimized; (b) the user assumes all such risks; (c) potential liability of EXAR Corporation is adequately protected under the circumstances.

Reproduction, in part or whole, without the prior written consent of EXAR Corporation is prohibited.