

### Description

The **XR46014** is an 80V constant current regulator that can drive upto 250mA. Users may adjust the regulating current from 10mA to 250mA through an external resistor.

A linear type over temperature protection function protects the system by decrease the current linearly when the junction temperature of the chip is higher than 125°C. Multiple XR46014 chips can be connected in parallel to provide higher driving current capability.

The device is available in the SOT-223-3L package.

### FEATURES

- 3V to 80V operation range
- 270mV low current sense voltage
- Linear over temperature protection
- Can be parallel connected for higher current

### APPLICATIONS

- LED Lighting Applications
  - Downlight
  - High bay
  - Specialty
  - Architectural

### Typical Application

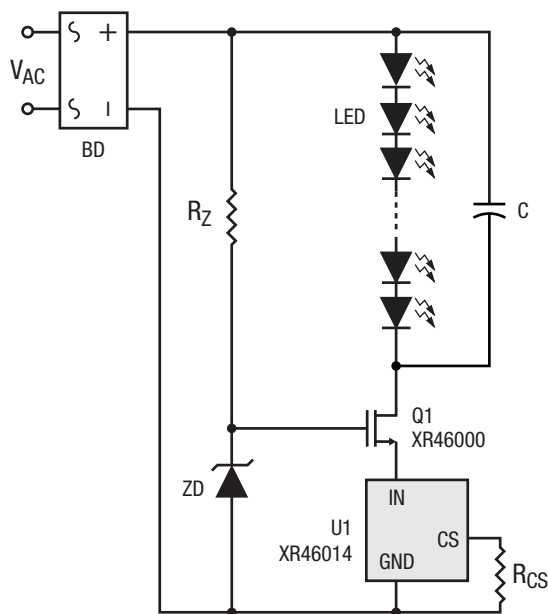


Figure 1. Typical Application

## Absolute Maximum Ratings

Stresses beyond the limits listed below may cause permanent damage to the device. Exposure to any Absolute Maximum Rating condition for extended periods may affect device reliability and lifetime.

### Sustaining Voltage

IN ..... -0.3V to 88V

CS ..... -0.3V to 7V

Regulating current ..... 300mA

Maximum operating junction temperature,  $T_J$  ..... 165°C

Storage temperature range ..... -55°C to 150°C

Lead temperature (soldering, 10 seconds) ..... 260°C

ESD Rating (HBM - Human Body Model) ..... 3kV

### NOTE:

1. All voltages are with respect to Ground. Currents are positive into, negative out of the specified terminal.
2. All parameters having Min/Max specifications are guaranteed. Typical values are for reference purpose only.
3. Unless otherwise noted, all tests are pulsed tests at the specified temperature, therefore:  $T_J = T_C = T_A$ .

## Operating Conditions

Regulating Current,  $I_{IN}^{(4)}$  ..... 250mA

Input Voltage,  $V_{IN}^{(4)}$  ..... 3V to 80V

Maximum Junction Temperature,  $T_J$  ..... 150°C

Junction temperature range,  $T_J$  ..... -40°C to 125°C

### NOTE:

4. The maximum regulating current and the input voltage in above are only allowed in the applications which have suitable heat-sink area for the chip in PCB design. The maximum allowable power dissipation of the chip highly depends on the PCB design, PCB material, and ambient temperature. The chip may be damaged if the Junction Temperature is higher than 165°C.

## Electrical Characteristics

Unless otherwise noted, typical values are at  $T_A = 25^\circ\text{C}$ .

Symbol	Parameter	Conditions	Min	Typ	Max	Units
$V_{CS}$	CS pin reference voltage	$V_{IN} = 5V$	0.26	0.27	0.28	V
$V_{DROPO}$	Dropout voltage <sup>(1)</sup>	IN to GND		3.2	4.5	V
$\Delta V_{LR}/V_{CS}$	CS pin reference voltage line regulation <sup>(2)</sup>	$V_{IN} = 5V$ and $40V$ , $R_{CS} = 50\Omega$		$\pm 1$	$\pm 2$	%
$T_{TP}$	Thermal protection trip temperature <sup>(3)(4)</sup>	When $T_J$ is higher than $T_{TP}$ , the $V_{CS}$ decreases to $V_{CS,OTP}$ linearly	110	125		$^\circ\text{C}$
$V_{CS,OTP}$	Thermal protection mode CS pin reference voltage <sup>(3)(4)</sup>	$T_J = 170^\circ\text{C}$		50		%

### NOTES

- Dropout Voltage =  $V_{IN}$  at  $90\% \times (V_{CS}$  at  $V_{IN} = 5V)$
- The CS Pin Reference Voltage Line Regulation is defined as:  

$$\Delta V_{LR}/V_{CS} = \frac{V_{CS}(V_{IN} = 40V) - V_{CS}(V_{IN} = 5V)}{V_{CS}(V_{IN} = 5V)}$$
- Guarantee by design, not by production test.
- When  $T_J > T_{TP}$ , the  $V_{CS}$  decreases linearly to around 50% at  $170^\circ\text{C}$ .

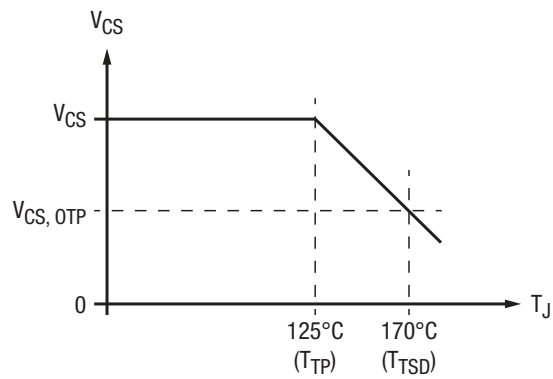
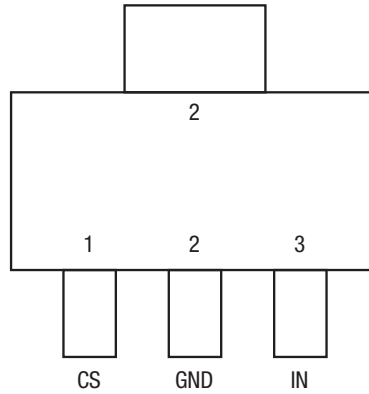


Figure 2.  $V_{CS}$  vs.  $T_J$

## Pin Configuration



SOT-223, Top View

## Pin Functions

Pin Number	Pin Name	Description
1	CS	Current sense pin. $I_{IN} = 0.27V/R_{CS}$ .
2	GND	Chip ground pin.
3	IN	Power source and current input pin.

### Characteristics Curves

Unless otherwise noted, typical values are at  $T_A = 25^\circ\text{C}$ .

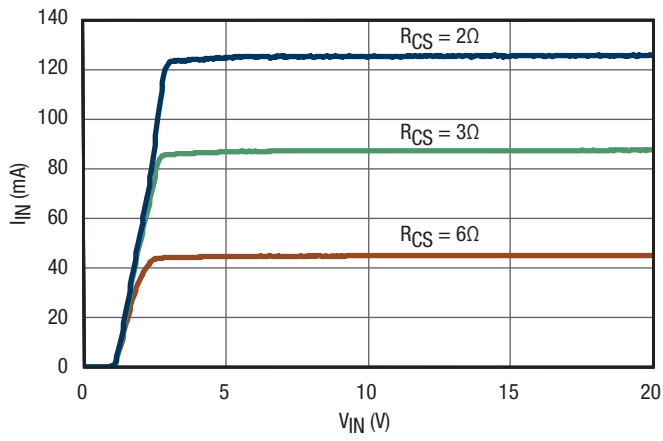


Figure 3.  $V_{IN}$  vs.  $I_{IN}$

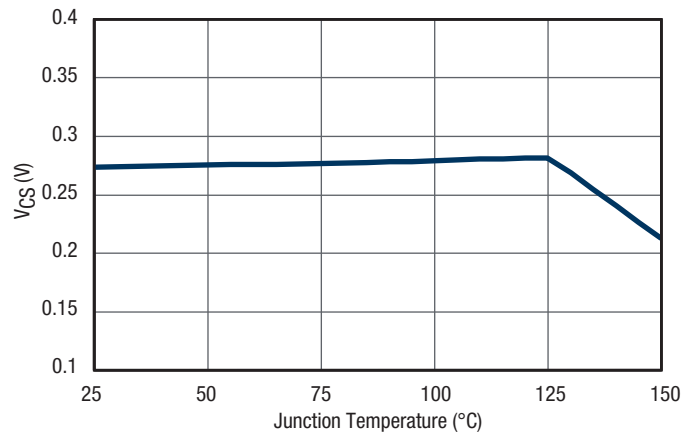


Figure 4.  $V_{CS}$  vs. Temperature

### Functional Block Diagram

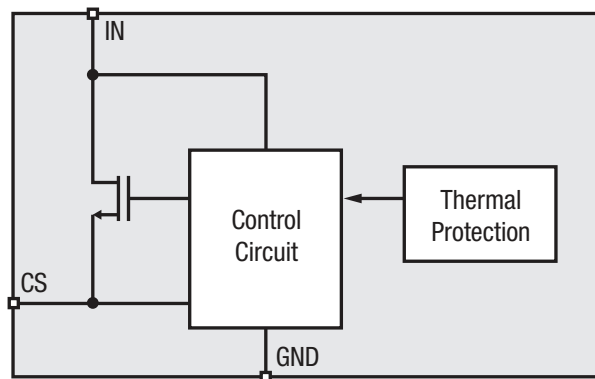
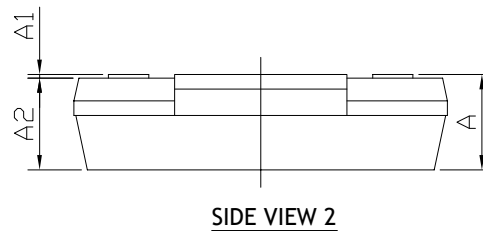
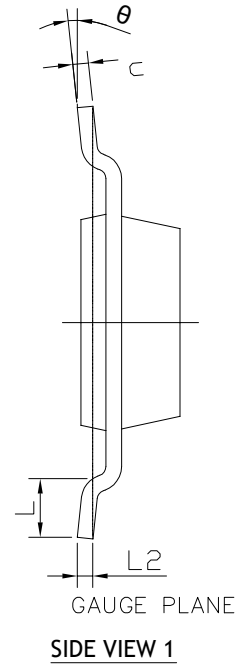
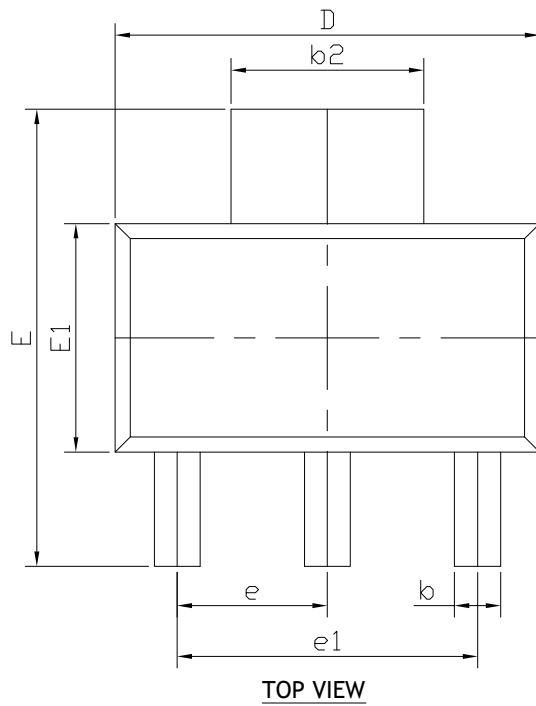


Figure 5. Functional Block Diagram

Mechanical Dimensions



DIM SYMBOL	MIN.	NOM.	MAX.
A	-	-	1.80
A1	0.02	-	0.10
A2	1.50	1.60	1.70
b	0.66	0.76	0.84
b2	2.90	3.00	3.10
c	0.23	0.30	0.35
D	6.30	6.50	6.70
E	6.70	7.00	7.30
E1	3.30	3.50	3.70
e	2.30 BSC		
e1	4.60 BSC		
L	0.75	-	-
L2	0.25 BSC		
$\theta$	0°	-	10°
N	3		

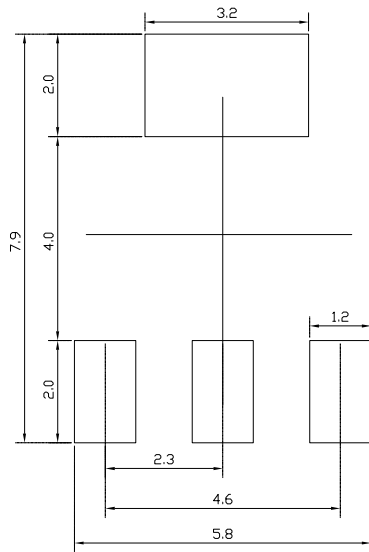
**TERMINAL DETAILS**

NOTE : ALL DIMENSIONS ARE IN MILLIMETERS, ANGLES ARE IN DEGREES.

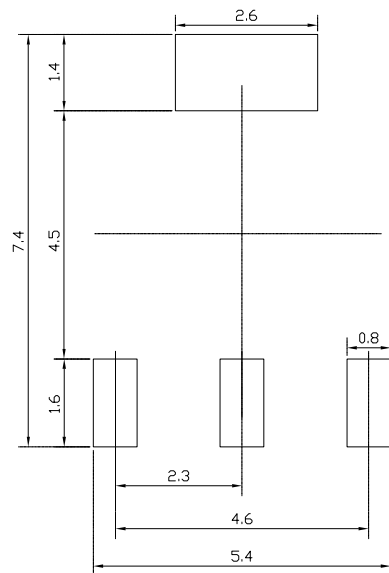
Drawing No.: POD-0000098

Revision: C

Recommended Land Pattern and Stencil



TYPICAL RECOMMENDED LAND PATTERN



TYPICAL RECOMMENDED STENCIL

NOTE : ALL DIMENSIONS ARE IN MILLIMETERS, ANGLES ARE IN DEGREES.

Drawing No.: POD-0000098

Revision: C

## Ordering Information<sup>(1)</sup>

Part Number	Operating Temperature Range	Lead-Free	Package	Packaging Method
XR46014ISETR	-40°C ≤ T <sub>J</sub> ≤ 125°C	Yes <sup>(2)</sup>	SOT-223	Tape and Reel

**NOTE:**

1. Refer to [www.exar.com/XR46014](http://www.exar.com/XR46014) for most up-to-date Ordering Information.
2. Visit [www.exar.com](http://www.exar.com) for additional information on Environmental Rating.

## Revision History

Revision	Date	Description
1.0	Jan 2015	Initial release.
1A	Nov 2016	New datasheet format, update Typical Application and add package drawing number to Package Description.
1B	Mar 2017	Add HBM ESD rating and clarify operating temperature range.
1C	May 2018	Update to MaxLinear logo. Update format and Ordering Information.


**Corporate Headquarters:**

5966 La Place Court  
Suite 100  
Carlsbad, CA 92008  
Tel.: +1 (760) 692-0711  
Fax: +1 (760) 444-8598  
[www.maxlinear.com](http://www.maxlinear.com)

**High Performance Analog:**

1060 Rincon Circle  
San Jose, CA 95131  
Tel.: +1 (669) 265-6100  
Fax: +1 (669) 265-6101  
[www.exar.com](http://www.exar.com)

The content of this document is furnished for informational use only, is subject to change without notice, and should not be construed as a commitment by MaxLinear, Inc.. MaxLinear, Inc. assumes no responsibility or liability for any errors or inaccuracies that may appear in the informational content contained in this guide. Complying with all applicable copyright laws is the responsibility of the user. Without limiting the rights under copyright, no part of this document may be reproduced into, stored in, or introduced into a retrieval system, or transmitted in any form or by any means (electronic, mechanical, photocopying, recording, or otherwise), or for any purpose, without the express written permission of MaxLinear, Inc.

MaxLinear, Inc. does not recommend the use of any of its products in life support applications where the failure or malfunction of the product can reasonably be expected to cause failure of the life support system or to significantly affect its safety or effectiveness. Products are not authorized for use in such applications unless MaxLinear, Inc. receives, in writing, assurances to its satisfaction that: (a) the risk of injury or damage has been minimized; (b) the user assumes all such risks; (c) potential liability of MaxLinear, Inc. is adequately protected under the circumstances.

MaxLinear, Inc. may have patents, patent applications, trademarks, copyrights, or other intellectual property rights covering subject matter in this document. Except as expressly provided in any written license agreement from MaxLinear, Inc., the furnishing of this document does not give you any license to these patents, trademarks, copyrights, or other intellectual property.

Company and product names may be registered trademarks or trademarks of the respective owners with which they are associated.

© 2016 - 2018 MaxLinear, Inc. All rights reserved