



## 22V, 6A Synchronous Step-Down COT Power Module

### Description

The XR79106 is part of a family of 22V synchronous step-down power modules combining the controller, drivers, inductor, passive components and MOSFETs in a single package for point-of-load supplies. This module requires very few external components leading to ease of design and fast time to market. The XR79106 has load current rating of 6A. A wide 4.5V to 22V input voltage range allows for single supply operation from industry standard 5V, 12V and 19.6V rails.

With a proprietary emulated current mode Constant On-Time (COT) control scheme, the XR79106 provides extremely fast line and load transient response using ceramic output capacitors. It requires no loop compensation, simplifying circuit implementation and reducing overall component count. The control loop also provides 0.2% load and 0.2% line regulation and maintains constant operating frequency. A selectable power saving mode, allows the user to operate in Discontinuous Current Mode (DCM) at light current loads significantly increasing the converter efficiency.

A host of protection features, including overcurrent, over temperature, short-circuit and UVLO, helps achieve safe operation under abnormal operating conditions.

The XR79106 is available in a RoHS-compliant, green/halogen-free space-saving 8mm x 8mm x 4mm QFN package.

### Typical Application

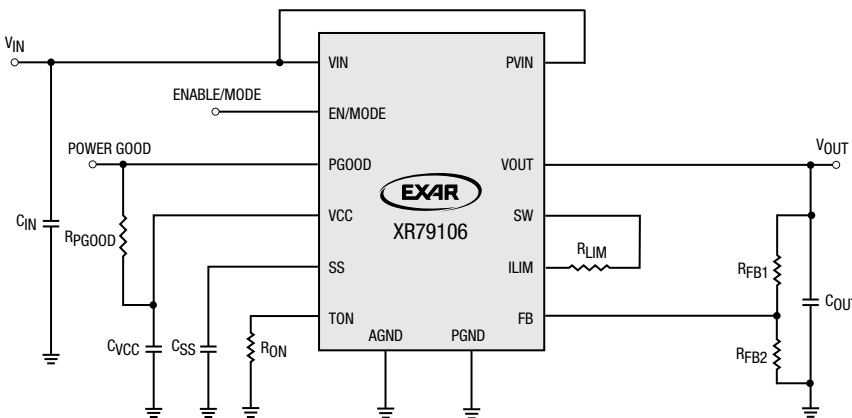


Figure 1. Typical Application

### FEATURES

- 6A step-down power module
  - 4.5V to 22V wide single input voltage
  - $\geq 0.6V$  adjustable output voltage
- Controller, drivers, inductor, passive components and MOSFETs integrated in one package
- Proprietary constant on-time control
  - No loop compensation required
  - Stable with ceramic output capacitors
  - Programmable 100ns to 1 $\mu$ s on-time
  - Constant 600kHz to 800kHz frequency
  - Selectable CCM or DCM/CCM operation
- Precision enable and power-good flag
- Programmable soft-start
- 8mm x 8mm x 4mm QFN package

### APPLICATIONS

- FPGA, DSP and processor supplies
- Distributed power architecture
- Point-of-load converters
- Power supply modules
- Base stations
- Switches and routers
- Servers

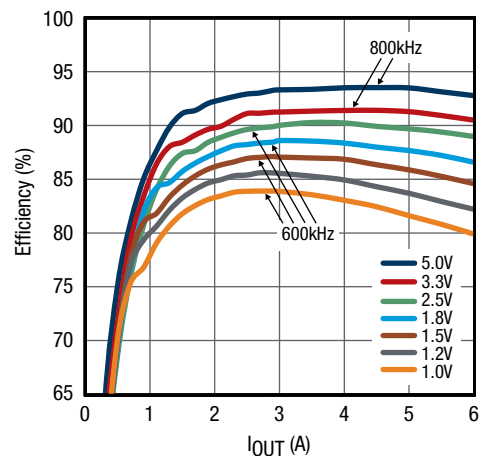


Figure 2. Efficiency, 12V<sub>IN</sub>

## Absolute Maximum Ratings

These are stress ratings only and functional operation of the device at these ratings or any other above those indicated in the operation sections of the specifications below is not implied. Stresses beyond those listed under absolute maximum ratings may cause permanent damage to the device. Exposure to any absolute maximum rating condition for extended periods may affect device reliability and lifetime.

$PV_{IN}$ , $V_{IN}$ .....	-0.3V to 25V
$V_{CC}$ .....	-0.3V to 6.0V
BST.....	-0.3V to 31V <sup>(1)</sup>
BST-SW.....	-0.3V to 6V
SW, ILIM.....	-1V to 25V <sup>(1)(2)</sup>
All other pins.....	-0.3V to $V_{CC} + 0.3V$
Storage temperature.....	-65°C to 150°C
Junction temperature.....	150°C
Power dissipation .....	Internally limited
Lead temperature (soldering, 10 seconds).....	260°C MSL3
ESD rating (HBM – human body model) .....	2kV
ESD rating (CDM – charged device model) .....	2kV

## Operating Conditions

$PV_{IN}$ .....	3V to 22V
$V_{IN}$ .....	4.5V to 22V
SW, ILIM .....	-1V to 22V <sup>(1)(2)</sup>
PGOOD, $V_{CC}$ , TON, SS, EN, FB.....	-0.3V to 5.5V
Switching frequency .....	600kHz to 800kHz <sup>(3)</sup>
Junction temperature range ( $T_J$ ).....	-40°C to 125°C
Package power dissipation max at 25°C.....	4.3W
Package thermal resistance $\theta_{JA}$ .....	23°C/W

### NOTES:

- No external voltage applied.
- SW pin's DC range is -1V, transient is -5V for less than 50ns.
- Recommended frequency for optimum performance.

## Electrical Characteristics

$T_J = 25^\circ\text{C}$ ,  $V_{IN} = 12\text{V}$ ,  $BST = V_{CC}$ ,  $SW = AGND = PGND = 0\text{V}$ ,  $C_{VCC} = 4.7\mu\text{F}$ , unless otherwise specified. Limits applying over the full operating temperature range are denoted by a •.

Symbol	Parameter	Conditions	•	Min	Typ	Max	Units
Power Supply Characteristics							
$V_{IN}$	Input voltage range	$V_{CC}$ regulating or in dropout	•	4.5		22	V
		$V_{CC}$ tied to $V_{IN}$	•	4.5		5.5	V
$I_{VIN}$	$V_{IN}$ supply current	Not switching, $V_{FB} = 0.7\text{V}$	•		0.7	2	mA
		$f = 500\text{kHz}$ , $R_{ON} = 61.9\text{k}\Omega$ , $V_{FB} = 0.58\text{V}$			9		mA
$I_{VCC}$	$V_{CC}$ quiescent current	Not switching, $V_{CC}$ tied to $V_{IN}$ , $V_{IN} = 5\text{V}$ , $V_{FB} = 0.7\text{V}$	•		0.7	2	mA
$I_{OFF}$	Shutdown current	Enable = 0V, $P_{VIN}$ tied to $V_{IN}$			1		$\mu\text{A}$
Enable and Undervoltage Lock-Out (UVLO)							
$V_{IH\_EN\_1}$	EN pin rising threshold		•	1.8	1.9	2.0	V
$V_{EN\_HYS\_1}$	EN pin hysteresis				60		mV
$V_{IH\_EN\_2}$	EN pin rising threshold for DCM/CCM		•	2.8	3.0	3.1	V
$V_{EN\_HYS\_2}$	EN pin hysteresis				110		mV
	$V_{CC}$ UVLO start threshold	Rising edge	•	4.00	4.25	4.40	V
	$V_{CC}$ UVLO hysteresis		•	150	200		mV

## Electrical Characteristics (Continued)

$T_J = 25^\circ\text{C}$ ,  $V_{IN} = 12\text{V}$ ,  $BST = V_{CC}$ ,  $SW = AGND = PGND = 0\text{V}$ ,  $C_{VCC} = 4.7\mu\text{F}$ , unless otherwise specified. Limits applying over the full operating temperature range are denoted by a •.

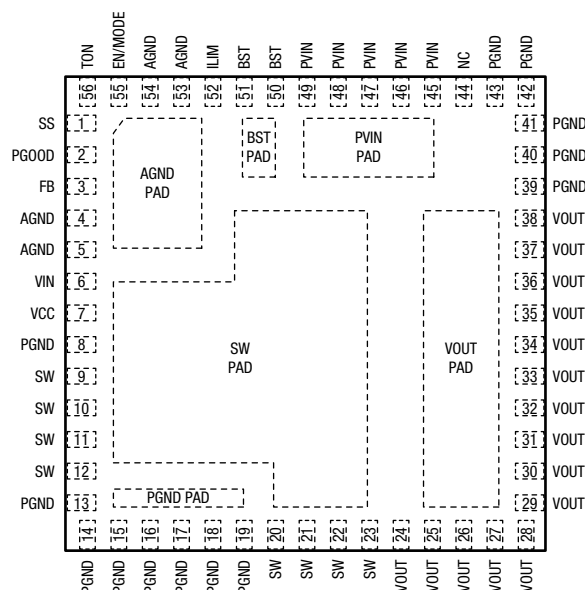
Symbol	Parameter	Conditions	•	Min	Typ	Max	Units
Reference Voltage							
$V_{REF}$	Reference voltage	$V_{IN} = 4.5\text{V to } 22\text{V}$ , $V_{CC}$ regulating or in dropout		0.597	0.600	0.603	V
		$V_{IN} = 4.5\text{V to } 5.5\text{V}$ , $V_{CC}$ tied to $V_{IN}$		0.596	0.600	0.604	V
		$V_{IN} = 4.5\text{V to } 22\text{V}$ , $V_{CC}$ regulating or in dropout	•	0.594	0.600	0.606	V
		$V_{IN} = 4.5\text{V to } 5.5\text{V}$ , $V_{CC}$ tied to $V_{IN}$	•	0.594	0.600	0.606	V
	DC load regulation	CCM operation, closed loop, $I_{OUT} = 0\text{A to } 6\text{A}$ , applies to any $C_{OUT}$			$\pm 0.2$		%
	DC line regulation	CCM operation, closed loop, $V_{IN} = 4.5\text{V to } 22\text{V}$ , applies to any $C_{OUT}$			$\pm 0.2$		%
Programmable Constant On-Time							
$T_{ON(MIN)}$	Minimum programmable on-time	$R_{ON} = 6.98\text{k}\Omega$ , $V_{IN} = 22\text{V}$			110		ns
$T_{ON1}$	On-time 1	$R_{ON} = 6.98\text{k}\Omega$ , $V_{IN} = 12\text{V}$	•	157	185	214	ns
	On-time 1 frequency	$R_{ON} = 6.98\text{k}\Omega$ , $V_{IN} = 12\text{V}$ , $V_{OUT} = 1.2\text{V}$ , $I_{OUT} = 6\text{A}$		540	620	730	kHz
$T_{ON2}$	On-time 2	$R_{ON} = 16.2\text{k}\Omega$ , $V_{IN} = 12\text{V}$	•	345	400	450	ns
$T_{OFF(MIN)}$	Minimum off-time		•		250	350	ns
Diode Emulation Mode							
	Zero crossing threshold	DC value measured during test			-2		mV
Soft-Start							
	SS charge current		•	-14	-10	-6	$\mu\text{A}$
	SS discharge current	Fault present	•	1			mA
$V_{CC}$ Linear Regulator							
	$V_{CC}$ output voltage	$V_{IN} = 6\text{V to } 22\text{V}$ , $I_{LOAD} = 0$ to $30\text{mA}$	•	4.8	5.0	5.2	V
		$V_{IN} = 4.5\text{V}$ , $R_{ON} = 16.2\text{k}\Omega$ , $f_{SW} = 670\text{kHz}$	•	4.3	4.4		V
Power Good Output							
	Power good threshold			-10	-7.5	-5	%
	Power good hysteresis				2	4	%
	Power good sink current			1			mA

## Electrical Characteristics (Continued)

$T_J = 25^\circ\text{C}$ ,  $V_{IN} = 12\text{V}$ ,  $BST = V_{CC}$ ,  $SW = AGND = PGND = 0\text{V}$ ,  $C_{VCC} = 4.7\mu\text{F}$ , unless otherwise specified. Limits applying over the full operating temperature range are denoted by a •.

Symbol	Parameter	Conditions	•	Min	Typ	Max	Units
Protection: OCP, OTP, Short-Circuit							
	Hiccup timeout				110		ms
	$I_{LIM}/R_{DS}$			5.8	6.3	6.7	$\mu\text{A}/\text{m}\Omega$
	$I_{LIM}$ current temperature coefficient				0.4		$\%/^\circ\text{C}$
	$I_{LIM}$ comparator offset		•	-8	0	8	mV
	Current limit blanking	GL rising >1V			100		ns
	Thermal shutdown threshold	Rising temperature			150		$^\circ\text{C}$
	Thermal hysteresis				15		$^\circ\text{C}$
	Feedback pin short-circuit threshold	Percent of $V_{REF}$ , short circuit is active. After PGOOD is asserted	•	50	60	70	%
Output Power Stage							
$R_{DS(on)}$	High-side MOSFET	$I_{DS} = 2\text{A}$			22	28	$\text{m}\Omega$
	Low-side MOSFET				8	10	$\text{m}\Omega$
$I_{OUT}$	Maximum output current		•	6			A
L	Output inductance			0.8	1	1.2	$\mu\text{H}$
$C_{IN}$	Input capacitance				1		$\mu\text{F}$
$C_{BST}$	Bootstrap capacitance				0.1		$\mu\text{F}$

## Pin Configuration



## Pin Functions

Pin Number	Pin Name	Type	Description
1	SS	A	Soft-start pin. Connect an external capacitor between SS and AGND to program the soft-start rate based on the 10 $\mu$ A internal source current.
2	PGOOD	OD, O	Power-good output. This open-drain output is pulled low when V <sub>OUT</sub> is outside the regulation.
3	FB	A	Feedback input to feedback comparator. Connect with a set of resistors to V <sub>OUT</sub> and AGND in order to program V <sub>OUT</sub> .
4, 5, 53, 54, AGND Pad	AGND	A	Analog ground. Control circuitry of the IC is referenced to this pin. Connect to PGND.
6	VIN	PWR	IC supply input. Provides power to internal LDO. Connect to PVIN pins.
7	VCC	PWR	The output of LDO. Bypass with a 4.7 $\mu$ F capacitor to AGND.
8	PGND	PWR	Controller low-side driver ground. Connect with a short trace to closest PGND pins or PGND pad.
13-19, 39-43, PGND Pad	PGND	PWR	Ground of the power stage. Should be connected to the system's power ground plane.
9-12, 20-23, SW Pad	SW	PWR	Switching node. It internally connects the source of the high-side FET, the drain of the low-side FET, the inductor and bootstrap capacitor. Use thermal vias and/or sufficient PCB land area in order to heatsink the low-side FET and the inductor.
24-38, VOUT Pad	VOUT	PWR	Output of the power stage. Place the output filter capacitors as close as possible to these pins.
45-49, PVIN Pad	PVIN	PWR	Power stage input voltage. Place the input filter capacitors as close as possible to these pins.
50, 51, BST Pad	BST	A	Controller high-side driver supply pin. It is internally connected to SW via a 0.1 $\mu$ F bootstrap capacitor. Leave these pins floating.
52	ILIM	A	Overcurrent protection programming. Connect with a short trace to SW pins.
55	EN/MODE	I	Precision enable pin. Pulling this pin above 1.9V will turn the IC on and it will operate in forced CCM. If the voltage is raised above 3.0V, then the IC will operate in DCM or CCM depending on load.
56	TON	A	Constant on-time programming pin. Connect with a resistor to AGND.

### NOTE:

A = Analog, I = Input, O = Output, OD = Open Drain, PWR = Power.

### Typical Performance Characteristics

$T_A = 25^\circ\text{C}$ ,  $V_{IN} = 12\text{V}$ ,  $V_{OUT} = 1.2\text{V}$ ,  $I_{OUT} = 6\text{A}$ ,  $f = 600\text{kHz}$ , unless otherwise specified. Schematic shown in Figure 27.

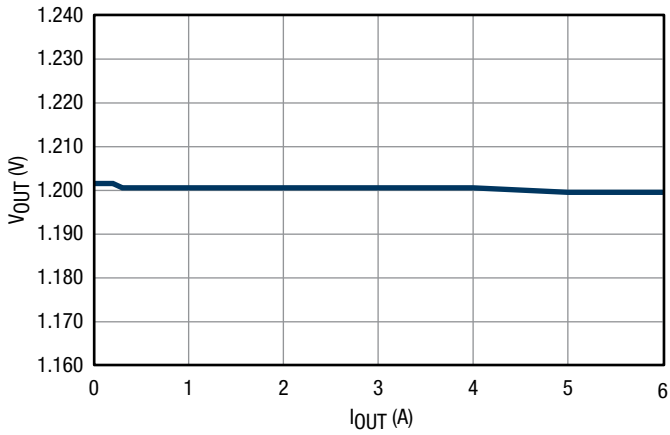


Figure 3. Load Regulation

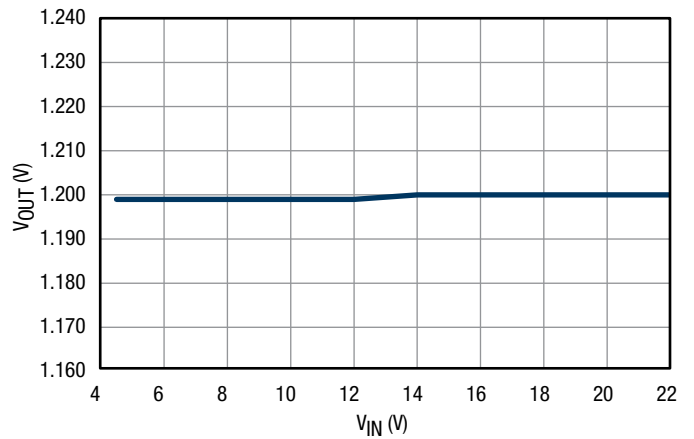


Figure 4. Line Regulation

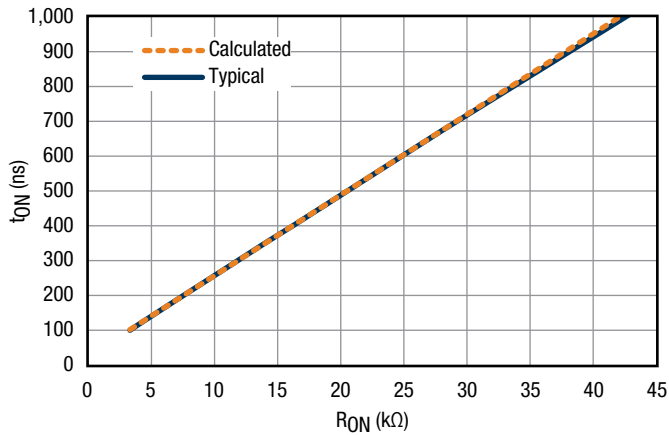


Figure 5.  $t_{ON}$  vs.  $R_{ON}$

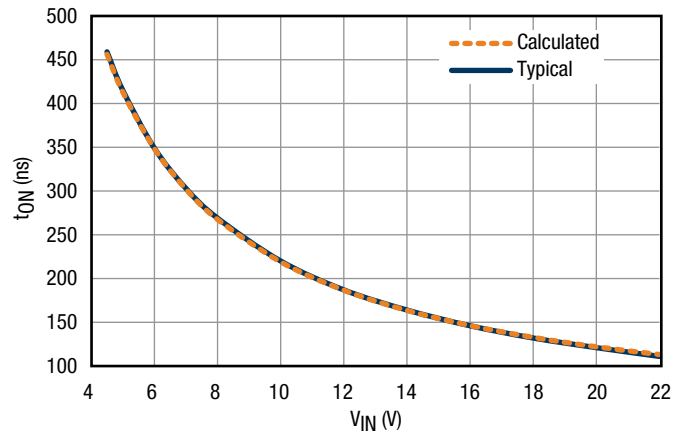


Figure 6.  $t_{ON}$  vs.  $V_{IN}$ ,  $R_{ON} = 6.98\text{k}\Omega$

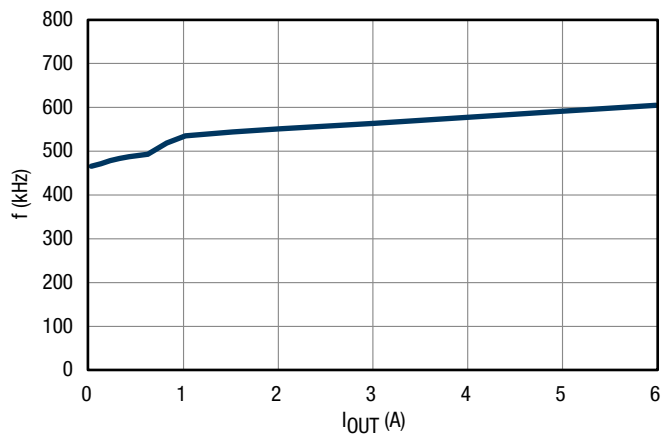


Figure 7. Switching Frequency vs.  $I_{OUT}$

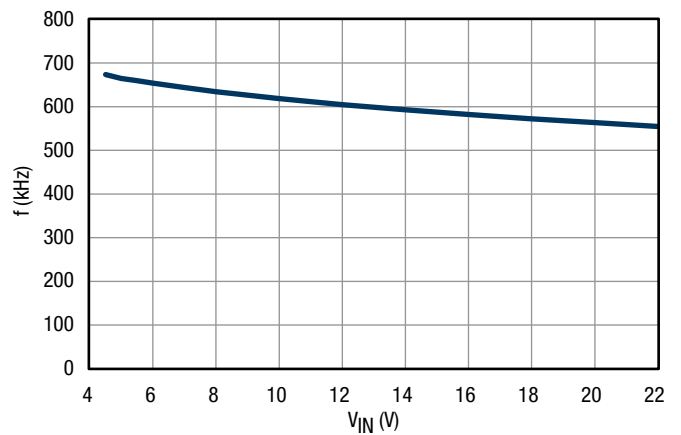


Figure 8. Switching Frequency vs.  $V_{IN}$

Typical Performance Characteristics (Continued)

$T_A = 25^\circ\text{C}$ ,  $V_{IN} = 12\text{V}$ ,  $V_{OUT} = 1.2\text{V}$ ,  $I_{OUT} = 6\text{A}$ ,  $f = 600\text{kHz}$ , unless otherwise specified. Schematic shown in Figure 27.

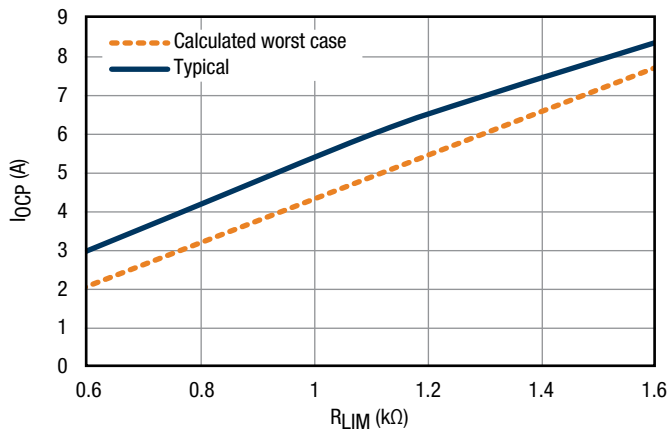


Figure 9.  $I_{OCP}$  vs.  $R_{LIM}$

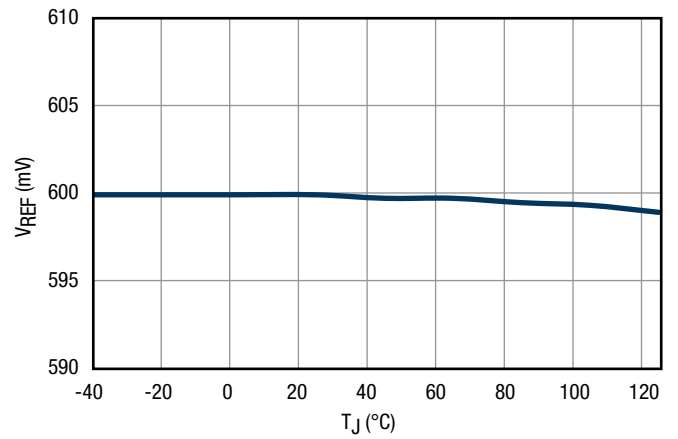


Figure 10.  $V_{REF}$  vs. Temperature

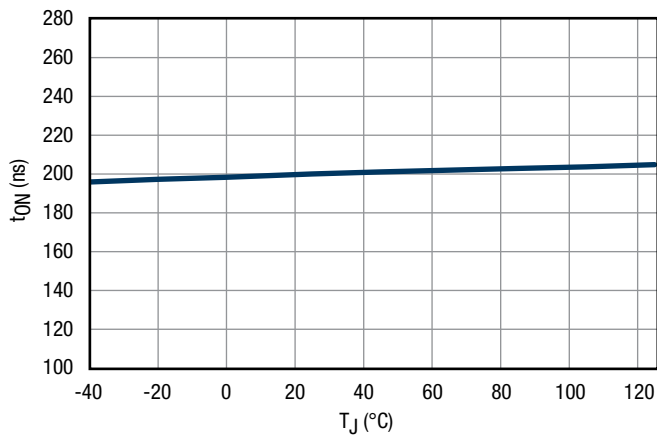


Figure 11.  $t_{ON}$  vs. Temperature,  $R_{ON} = 6.98\text{k}\Omega$

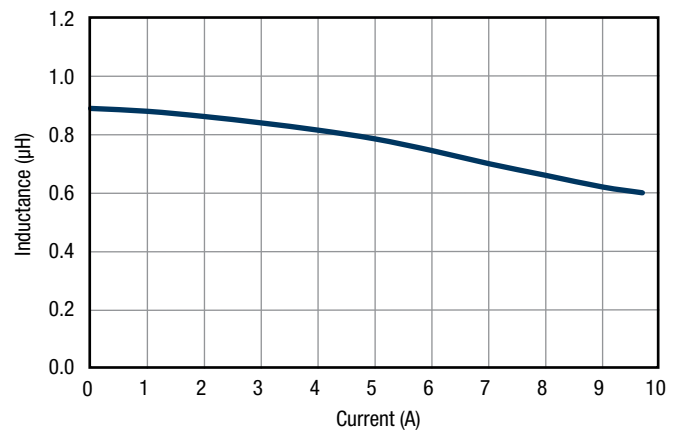


Figure 12. Inductance vs. Current

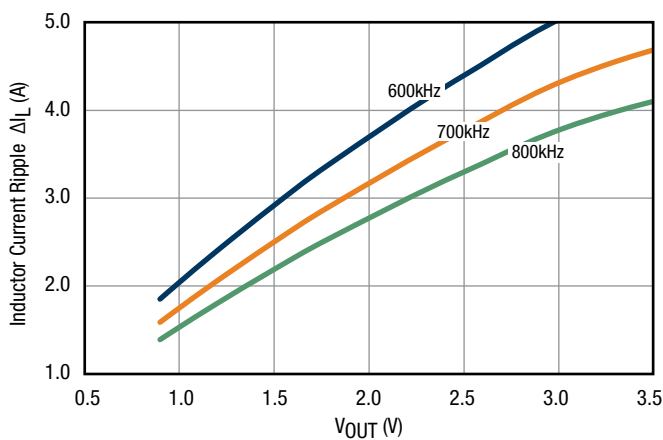


Figure 13. Inductor Current Ripple vs.  $V_{OUT}$

Typical Performance Characteristics (Continued)

$T_A = 25^\circ\text{C}$ ,  $V_{IN} = 12\text{V}$ ,  $V_{OUT} = 1.2\text{V}$ ,  $I_{OUT} = 6\text{A}$ ,  $f = 600\text{kHz}$ , unless otherwise specified. Schematic shown in Figure 27.

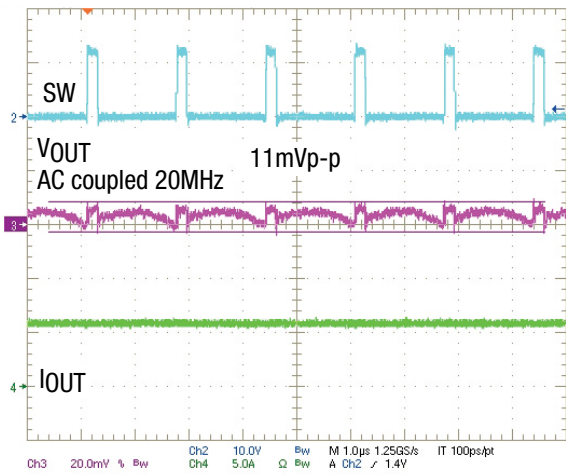


Figure 14. Steady State CCM,  $I_{OUT} = 6\text{A}$

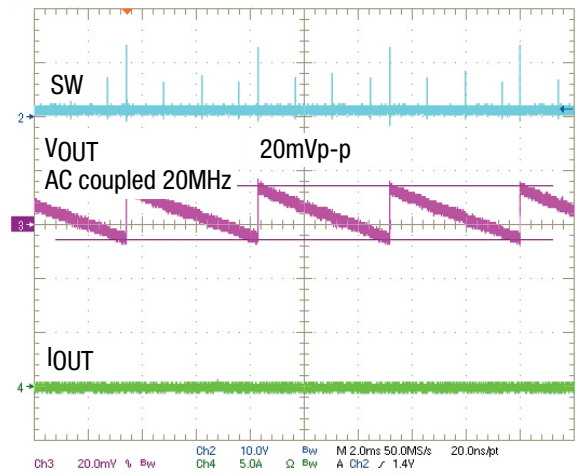


Figure 15. Steady State DCM,  $I_{OUT} = 0\text{A}$

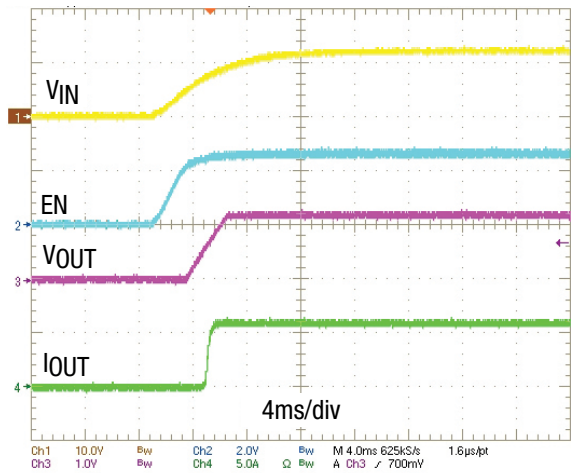


Figure 16. Power Up,  $I_{OUT} = 6\text{A}$

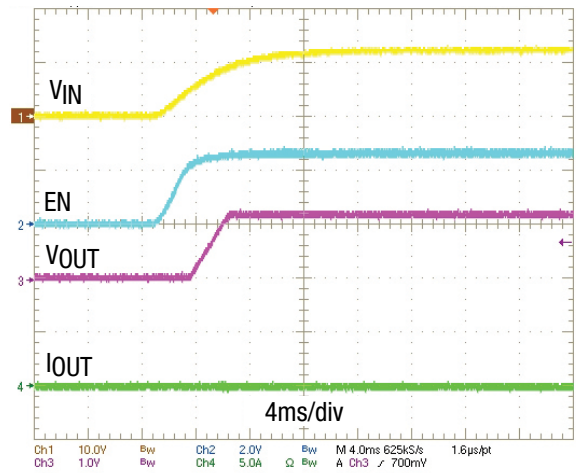


Figure 17. Power Up,  $I_{OUT} = 0\text{A}$

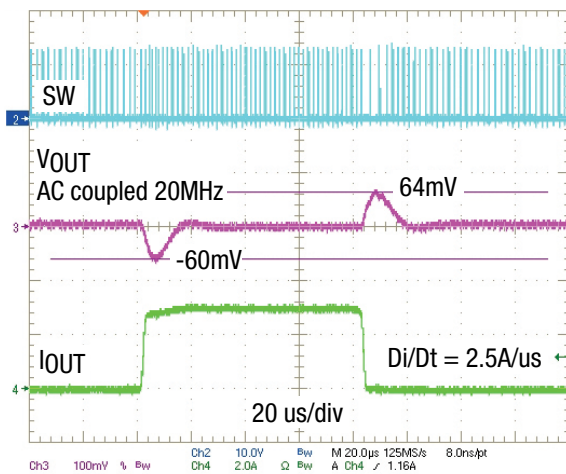


Figure 18. Load Step, CCM,  $0\text{A}-3\text{A}-0\text{A}$

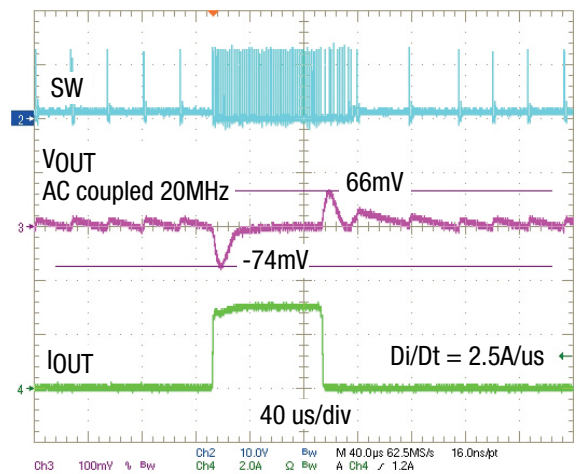


Figure 19. Load Step, DCM/CCM,  $0.05\text{A}-3\text{A}-0.05\text{A}$



Typical Performance Characteristics (Continued)

Efficiency and Package Thermal Derating

$T_A = 25^\circ\text{C}$ , no airflow,  $f = 600\text{kHz}$ , unless otherwise specified. Schematic shown in Figure 27.

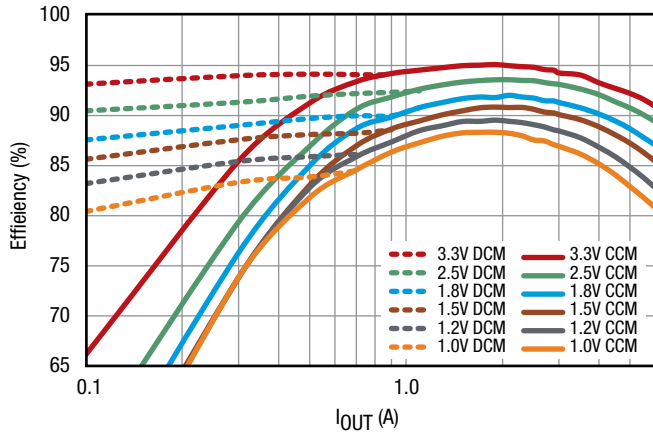


Figure 20. Efficiency,  $V_{IN} = 5\text{V}$

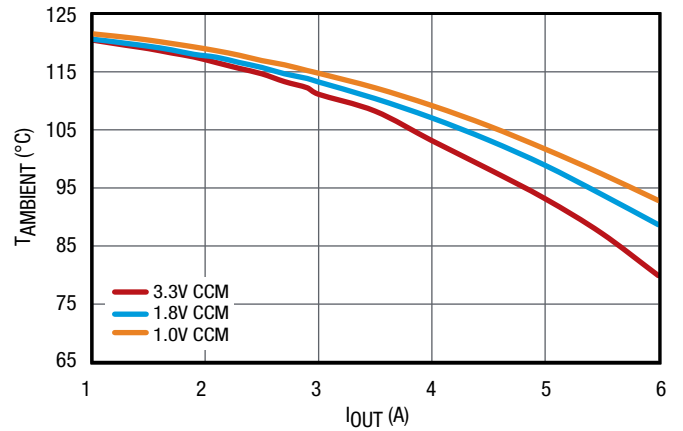


Figure 21. Maximum  $T_{\text{AMBIENT}}$  vs.  $I_{\text{OUT}}$ ,  $V_{IN} = 5\text{V}$

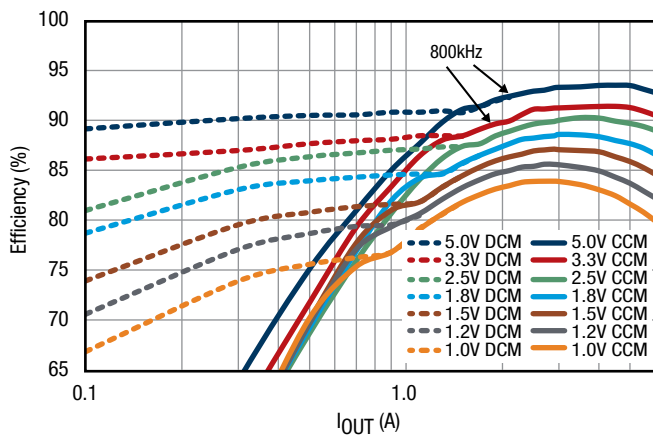


Figure 22. Efficiency,  $V_{IN} = 12\text{V}$

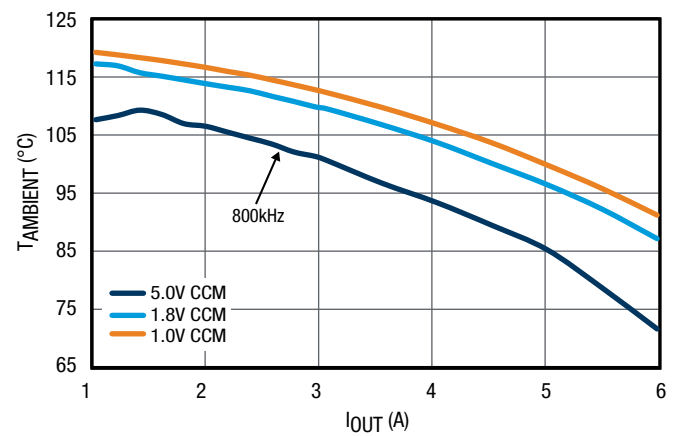


Figure 23. Maximum  $T_{\text{AMBIENT}}$  vs.  $I_{\text{OUT}}$ ,  $V_{IN} = 12\text{V}$

Functional Block Diagram

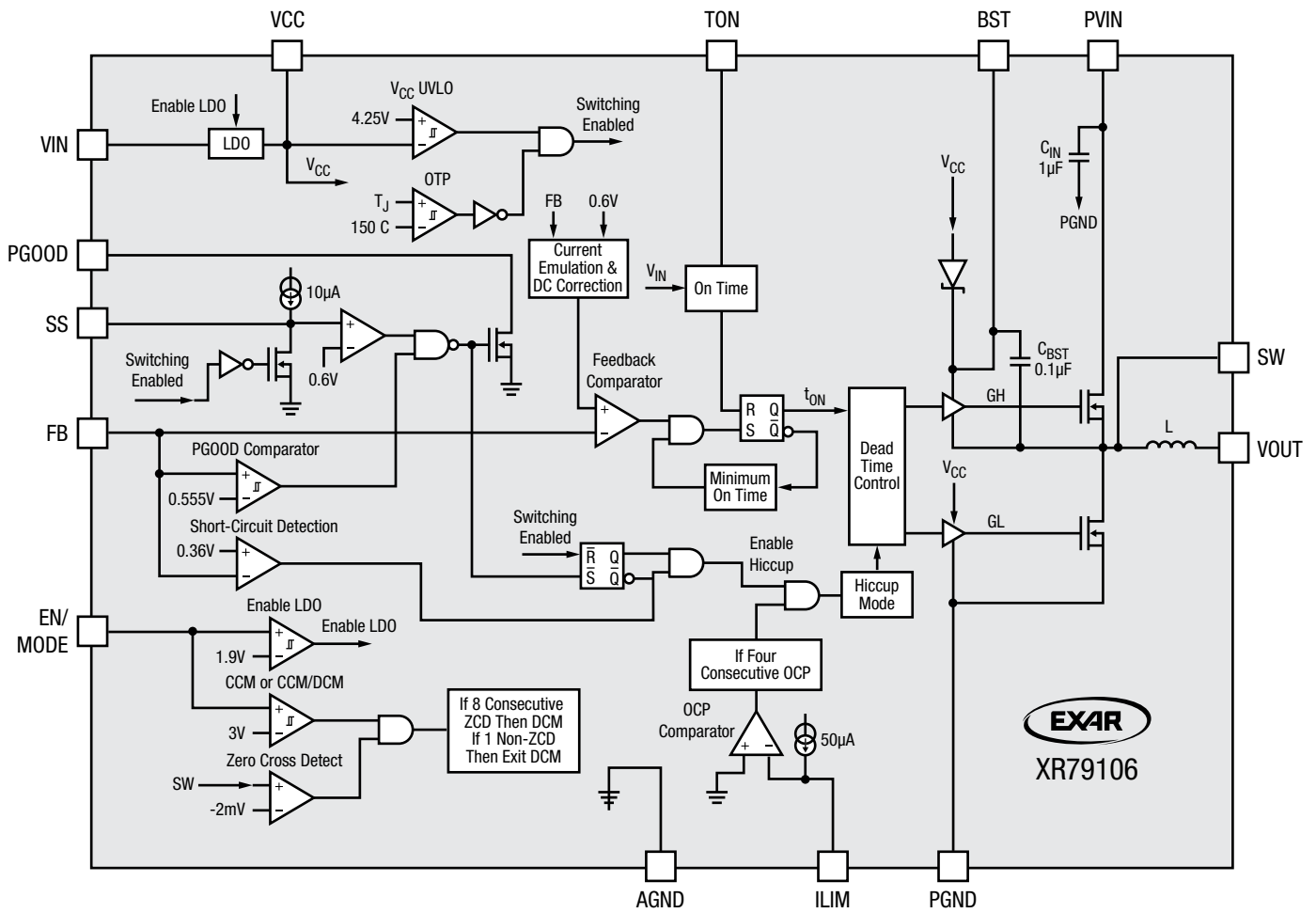


Figure 24. Functional Block Diagram

## Applications Information

### Functional Description

XR79106 is a synchronous step-down proprietary emulated current-mode Constant On-Time (COT) module. The on-time, which is programmed via  $R_{ON}$ , is inversely proportional to  $V_{IN}$  and maintains a nearly constant frequency. The emulated current-mode control is stable with ceramic output capacitors.

Each switching cycle begins with GH signal turning on the high-side (switching) FET for a preprogrammed time. At the end of the on-time, the high-side FET is turned off and the low-side (synchronous) FET is turned on for a preset minimum time (250ns nominal). This parameter is termed minimum off-time. After the minimum off-time, the voltage at the feedback pin FB is compared to an internal voltage ramp at the feedback comparator. When  $V_{FB}$  drops below the ramp voltage, the high-side FET is turned on and the cycle repeats. This voltage ramp constitutes an emulated current ramp and makes possible the use of ceramic capacitors, in addition to other capacitor types, for output filtering.

### Enable/Mode Input (EN/MODE)

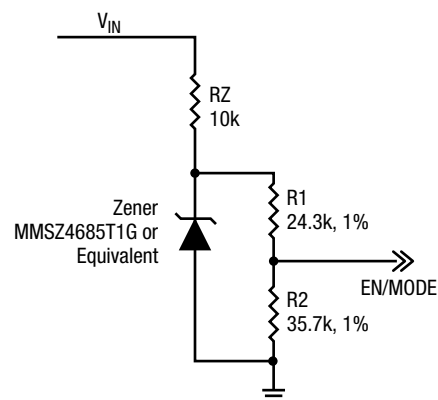
EN/MODE pin accepts a tri-level signal that is used to control turn on/off. It also selects between two modes of operation: forced CCM and DCM/CCM. If EN is pulled below 1.8V, the module shuts down. A voltage between 2.0V and 2.8V selects the forced CCM mode which will run the module in continuous conduction at all times. A voltage higher than 3.1V selects the DCM/CCM mode which will run the module in discontinuous conduction at light loads.

### Selecting the Forced CCM Mode

In order to set the module to operate in forced CCM, a voltage between 2.0V and 2.8V must be applied to EN/MODE. This can be achieved with an external control signal that meets the above voltage requirement. Where an external control is not available, the EN/MODE can be derived from  $V_{IN}$ . If  $V_{IN}$  is well regulated, use a resistor divider and set the voltage to 2.5V. If  $V_{IN}$  varies over a wide range, the circuit shown in Figure 25 can be used to generate the required voltage. Note that at  $V_{IN}$  of 4.5V and 22V the nominal Zener voltage is 3.8V and 4.7V respectively. Therefore for  $V_{IN}$  in the range of 4.5V to 22V, the circuit shown in Figure 25 will generate  $V_{EN}$  required for forced CCM.

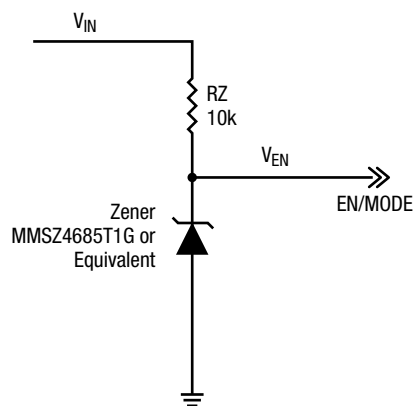
### Selecting the DCM/CCM Mode

In order to set the module operation to DCM/CCM, a voltage between 3.1V and 5.5V must be applied to EN/MODE pin. If an external control signal is available, it can be directly connected to EN/MODE. In applications where an external control is not available, EN/MODE input can be derived from  $V_{IN}$ . If  $V_{IN}$  is well regulated, use a resistor divider and set the voltage to 4V. If  $V_{IN}$  varies over a wide range, the circuit shown in Figure 26 can be used to generate the required voltage for DCM/CCM operation.



Forced CCM, wide  $V_{IN}$  range

Figure 25. Selecting Forced CCM by Deriving EN/MODE from  $V_{IN}$



DCM/CCM, wide  $V_{IN}$  range

Figure 26. Selecting DCM/CCM by Deriving EN/MODE from  $V_{IN}$

## Applications Information (Continued)

### Programming the On-Time

The on-time  $t_{ON}$  is programmed via resistor  $R_{ON}$  according to following equation:

$$R_{ON} = \frac{V_{IN} \times [t_{ON} - (2.5 \times 10^{-8})]}{2.78 \times 10^{-10}}$$

A graph of  $t_{ON}$  vs.  $R_{ON}$ , using the above equation, is compared to typical test data in Figure 5. The graph shows that calculated data matches typical test data within 3%.

The  $t_{ON}$  corresponding to a particular set of operating conditions can be calculated based on empirical data from:

$$t_{ON} = \frac{V_{OUT}}{V_{IN} \times 1.06 \times f \times \text{Eff.}}$$

Where:

- $f$  is the desired switching frequency at nominal  $I_{OUT}$
- $\text{Eff.}$  is the converter efficiency corresponding to nominal  $I_{OUT}$

Substituting for  $t_{ON}$  in the first equation we get:

$$R_{ON} = \frac{\left( \frac{V_{OUT}}{1.06 \times f \times \text{Eff.}} \right) - [(2.5 \times 10^{-8}) \times V_{IN}]}{(2.78 \times 10^{-10})}$$

Now  $R_{ON}$  can be calculated in terms of operating conditions  $V_{IN}$ ,  $V_{OUT}$ ,  $f$  and  $\text{Eff.}$  using the above equation. At  $V_{IN} = 12\text{V}$ ,  $f = 600\text{kHz}$ ,  $I_{OUT} = 6\text{A}$  and using the efficiency numbers from Figure 22 we get the following  $R_{ON}$ :

$V_{OUT}$ (V)	Eff. (%)	$f$ (kHz)	$R_{ON}$ (k $\Omega$ )
5.0	93	800	21.73
3.3	91	800	14.30
2.5	89	600	14.81
1.8	87	600	10.62
1.5	85	600	8.90
1.2	82	600	7.20
1.0	80	600	5.99

### Overcurrent Protection (OCP)

If the load current exceeds the programmed overcurrent threshold  $I_{OCP}$  for four consecutive switching cycles, the module enters the hiccup mode of operation. In hiccup mode the MOSFET gates are turned off for 110ms (hiccup timeout). Following the hiccup timeout a soft-start is attempted. If OCP persists, hiccup timeout will repeat. The module will remain in hiccup mode until load current is reduced below the programmed  $I_{OCP}$ . In order to program overcurrent protection use the following equation:

$$R_{LIM} = \left[ \frac{(I_{OCP} + (0.5 \times \Delta I_L))}{\left( \frac{I_{LIM}}{R_{DS}} \right)} \right] + 0.16\text{k}\Omega$$

Where:

- $R_{LIM}$  is resistor value in k $\Omega$  for programming  $I_{OCP}$
- $I_{OCP}$  is the overcurrent value to be programmed
- $\Delta I_L$  is the peak-to-peak inductor current ripple
- $I_{LIM}/R_{DS} = 5.8\mu\text{A}/\text{m}\Omega$  is the minimum value of the parameter specified in the tabulated data
- $0.16\text{k}\Omega$  accounts for OCP comparator offset

The above equation is for worst-case analysis and safeguards against premature OCP. Typical value of  $I_{OCP}$ , for a given  $R_{LIM}$ , will be higher than that predicted by the above equation. Graph of calculated  $I_{OCP}$  vs.  $R_{LIM}$  is compared to typical  $I_{OCP}$  in Figure 9.

### Short-Circuit Protection (SCP)

If the output voltage drops below 60% of its programmed value, the module will enter hiccup mode. Hiccup will persist until short-circuit is removed. SCP circuit becomes active after PGOOD asserts high.

### Over Temperature Protection (OTP)

OTP triggers at a nominal controller temperature of 150°C. The gate of switching FET and synchronous FET are turned off. When controller temperature cools down to 135°C, soft-start is initiated and operation resumes.

## Applications Information (Continued)

### Programming the Output Voltage

Use an external voltage divider as shown in Figure 27 to program the output voltage  $V_{OUT}$ .

$$R_{FB1} = R_{FB2} \times \left( \frac{V_{OUT}}{0.6V} - 1 \right)$$

Where  $R_{FB2}$  has a nominal value of 2k $\Omega$ .

### Programming the Soft-Start

Place a capacitor  $C_{SS}$  between the SS and AGND pins to program the soft-start. In order to program a soft-start time of  $t_{SS}$ , calculate the required capacitance  $C_{SS}$  from the following equation:

$$C_{SS} = t_{SS} \times \frac{10\mu A}{0.6V}$$

### Feed-Forward Capacitor ( $C_{FF}$ )

The feed-forward capacitor  $C_{FF}$  is used to set the necessary phase margin when using ceramic output capacitors. Calculate  $C_{FF}$  from the following equation:

$$C_{FF} = \frac{1}{2 \times \pi \times R_{FB1} \times 5 \times f_{LC}}$$

Where  $f_{LC}$ , the output filter double-pole frequency is calculated from:

$$f_{LC} = \frac{1}{2 \times \pi \times \sqrt{L \times C_{OUT}}}$$

You must use manufacturer's DC derating curves to determine the effective capacitance corresponding to  $V_{OUT}$ . A load step test and/or a loop frequency response test should be performed and if necessary  $C_{FF}$  can be adjusted in order to get a critically damped transient load response.

In certain conditions an alternate compensation scheme may need to be employed using ripple injection from the inductor. Those components; RR, CR, and CAC are shown in Figure 27. An application note is being developed to provide more information about this compensation scheme.

### Feed-Forward Resistor ( $R_{FF}$ )

$R_{FF}$ , in conjunction with  $C_{FF}$ , functions similar to a high frequency pole and adds gain margin to the frequency response. Calculate  $R_{FF}$  from:

$$R_{FF} = \frac{1}{2 \times \pi \times f \times C_{FF}}$$

Where  $f$  is the switching frequency.

If  $R_{FF} > 0.02 \times R_{FB1}$  then calculate  $R_{FF}$  value from  $R_{FF} = 0.02 \times R_{FB1}$ .

### Maximum Allowable Voltage Ripple at FB Pin

Note that the steady-state voltage ripple at feedback pin FB ( $V_{FB,RIPPLE}$ ) must not exceed 50mV in order for the module to function correctly. If  $V_{FB,RIPPLE}$  is larger than 50mV then  $C_{OUT}$  should be increased as necessary in order to keep the  $V_{FB,RIPPLE}$  below 50mV.

Applications Information (Continued)

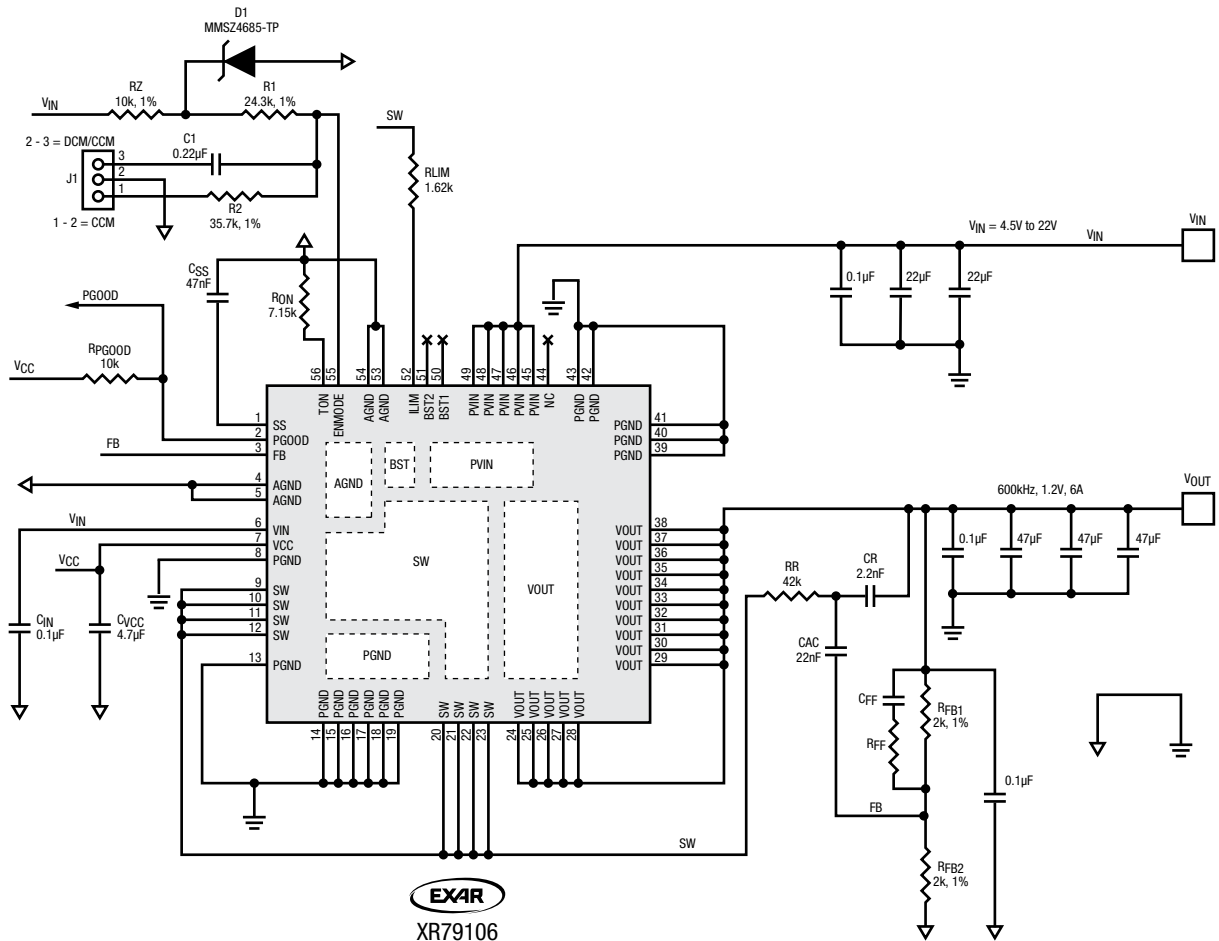
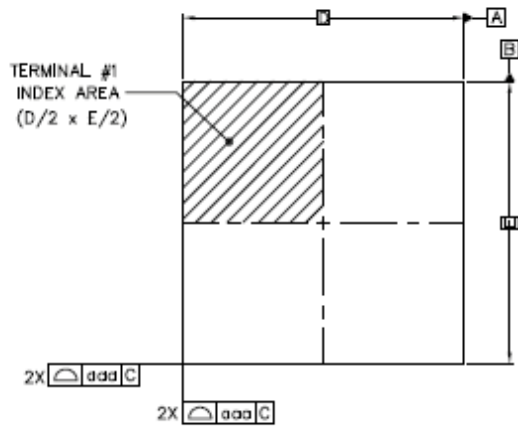


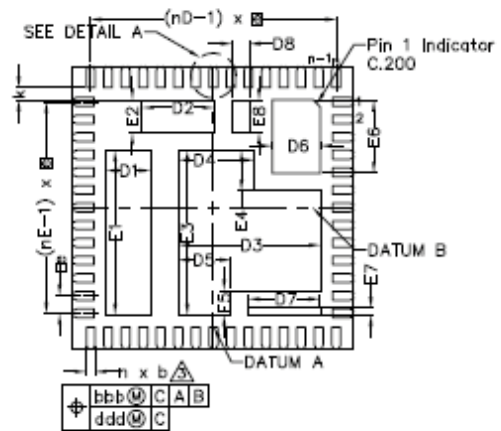
Figure 27. Typical Application Circuit

Package Description

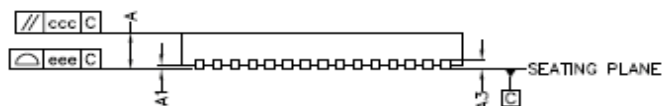
TOP VIEW



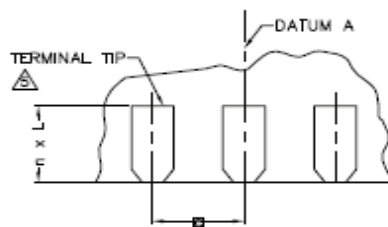
BOTTOM VIEW



SIDE VIEW



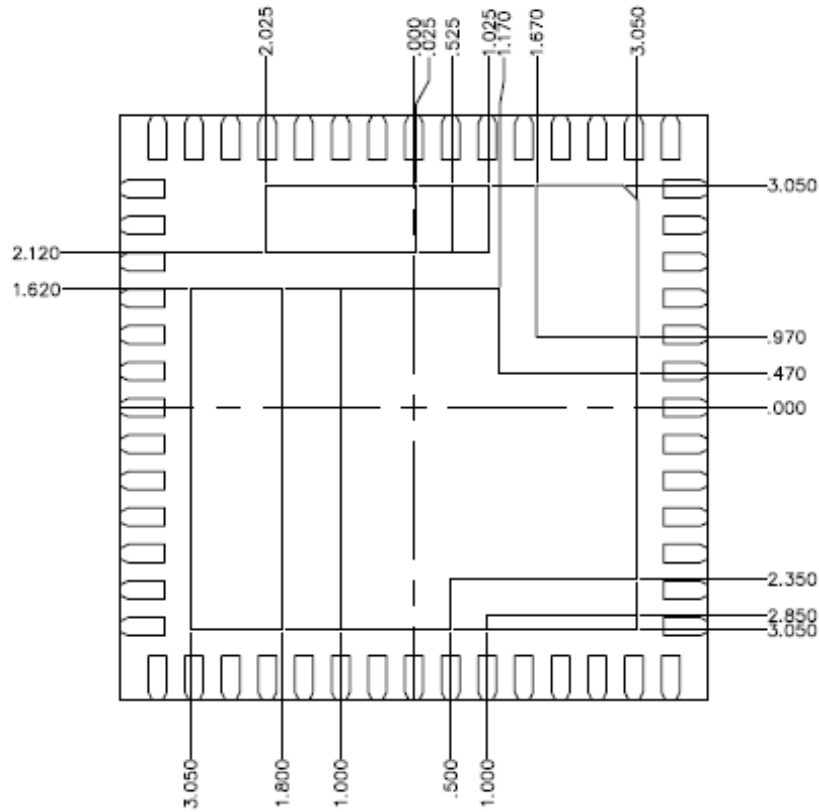
DETAIL A



All dimensions are in mm and angles in degrees.

Package Description (Continued)

TERMINAL AND PAD EDGE DETAILS



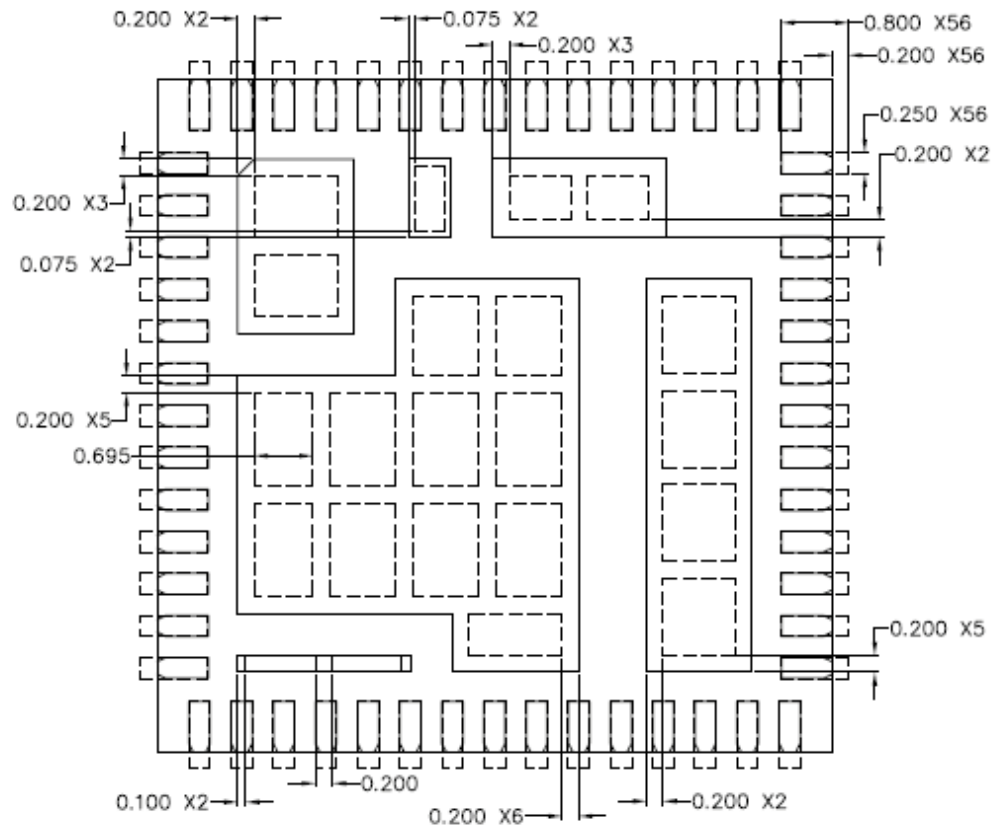
PACKAGE	56L Bx8 SP-QFN		
REF.	MIN.	NOM.	MAX.
A	3.90	4.00	4.10
b	0.20	0.25	0.30
L	0.50	0.60	0.70
k	0.25	0.35	0.45
D	8.00 BSC		
D1	1.15	1.25	1.35
D2	1.95	2.05	2.15
D3	3.95	4.05	4.15
D4	2.07	2.17	2.27
D5	1.40	1.50	1.60
D6	1.28	1.38	1.48
D7	1.95	2.05	2.15
D8	0.40	0.50	0.60
E	8.00 BSC		
E1	4.57	4.67	4.77
E2	0.83	0.93	1.03
E3	4.57	4.67	4.77
E4	1.05	1.15	1.25
E5	0.60	0.70	0.80
E6	1.98	2.08	2.18
E7	0.10	0.20	0.30
E8	0.83	0.93	1.03
e	0.50 BSC		
n	56		
nD	15		
nE	13		

SYMBOL	COMMON DIMENSIONS			NOTE
	MIN.	NOM.	MAX.	
A1	0	0.02	0.05	
A3	0.20 REF.			
TOLERANCES OF FORM AND POSITION				
aaa	0.10			
bbb	0.10			
ccc	0.10			
ddd	0.05			
eee	0.08			



Package Description (Continued)

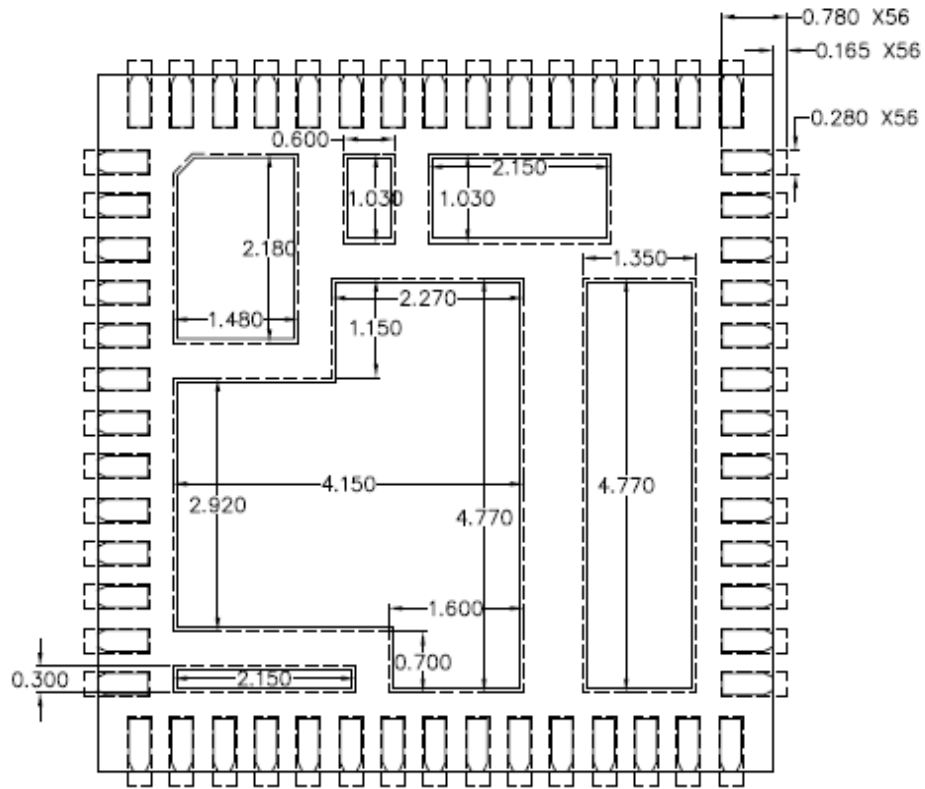
RECOMMENDED STENCIL PATTERN



NOTE: Dashed line refers to stencil pattern.

Package Description (Continued)

RECOMMENDED LAND PATTERN



NOTE: Dashed line refers to land pattern.

## Ordering Information

Part Number	Operating Temperature Range	Environmental Rating	Package	Packaging Quantity	Marking
XR79106EL-F	$-40^{\circ}\text{C} \leq T_J \leq 125^{\circ}\text{C}$	RoHS	8mm x 8mm x 4mm QFN package	Tray	XR79106EL YYWWF XXXXXXXX
XR79106EVB	XR79106 evaluation board				

**NOTE:**

YY = Year, WW = Work Week, F = Lead Free and Halogen Free, XXXXXXXX = Lot Number.



[www.exar.com](http://www.exar.com)

48760 Kato Road  
Fremont, CA 94538  
USA

Tel.: +1 (510) 668-7000  
Fax: +1 (510) 668-7001  
Email: [powertechsupport@exar.com](mailto:powertechsupport@exar.com)

Exar Corporation reserves the right to make changes to the products contained in this publication in order to improve design, performance or reliability. Exar Corporation conveys no license under any patent or other right and makes no representation that the circuits are free of patent infringement. While the information in this publication has been carefully checked, no responsibility, however, is assumed for inaccuracies.

Exar Corporation does not recommend the use of any of its products in life support applications where the failure or malfunction of the product can reasonably be expected to cause failure of the life support system or to significantly affect its safety or effectiveness. Products are not authorized for use in such applications unless Exar Corporation receives, in writing, assurances to its satisfaction that: (a) the risk of injury or damage has been minimized; (b) the user assumes all such risks; (c) potential liability of Exar Corporation is adequately protected under the circumstances.

Reproduction, in part or whole, without the prior written consent of Exar Corporation is prohibited. Exar, XR and the XR logo are registered trademarks of Exar Corporation. All other trademarks are the property of their respective owners.