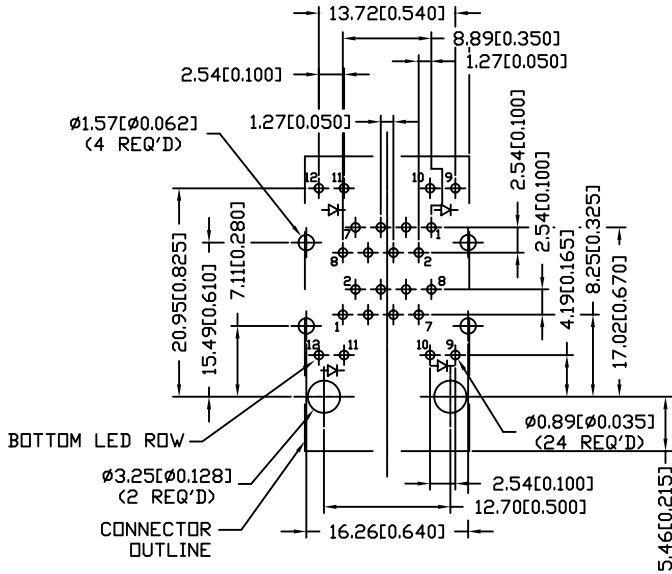
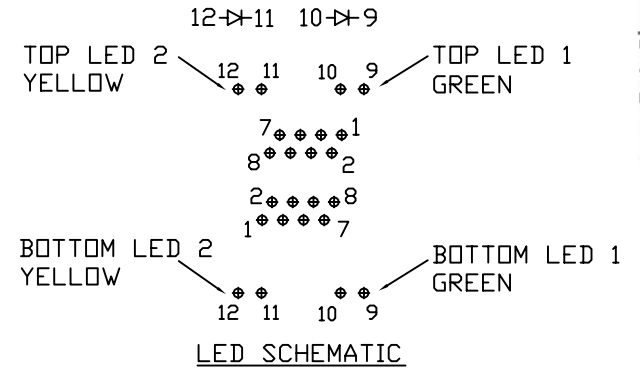
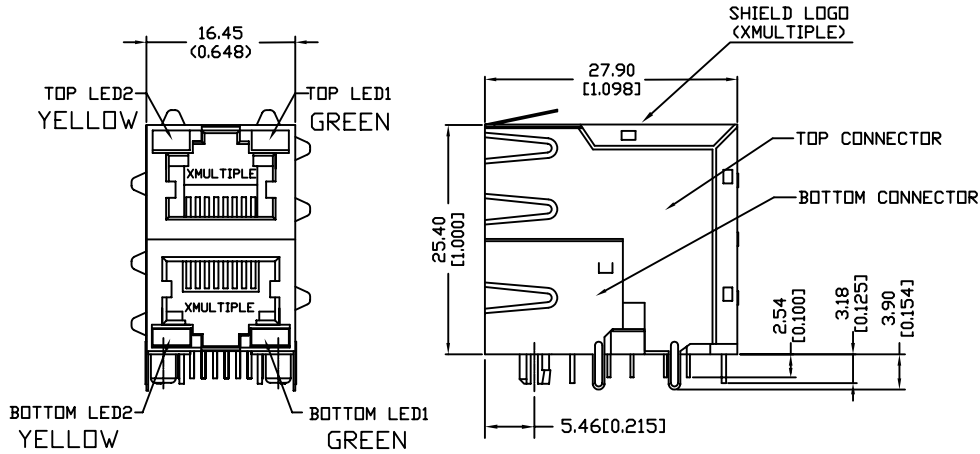
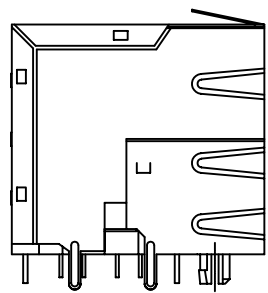
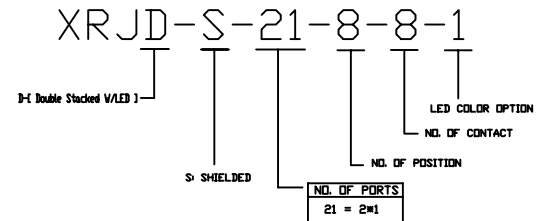


MECHANICAL DIMENSIONS



Ghip	Emitted Color	Peak Wave Length λ P (nm)	Lens Appearance	Absolute Maximum Rating			Electro-optical Data (At 20mA)		Viewing Angle 2θ 1/2 (deg)		
				Δ入 (nm)	Pd (mW)	If (mA)	Peak If (mA)	Vf (V) Typ. Max.		Iv Typ. (mcd)	
	Yellow	585	Yellow Diffused	35	100	30	150	2.1	2.6	20	80
	Green	568	Green Diffused	35	100	30	150	2.2	2.6	25	80



RoHS Compliant

NOTES:

- MATERIALS:**
HOUSING: HIGH TEMP. THERMOPLASTIC, BLACK, UL 94V-0
CONTACTS: T=0.35 mm PHOSPHOR BORNZE, 50u" NICKEL
UNDERPLATE ON ALL AREA, 100u" TIN ON TERMINATION END, 15u" GOLD ON CONTACT AREA.
SHIELD: T=0.25 mm COPPER ZINC ALLOY PLATED WITH NICKEL
- JACK CAVITY CONFORMS TO FCC RULES AND REGULATIONS PART 68, SUBPART F
- PEAK SOLDERING RATING: +220°C
- UNSPECIFIED TOLERANCE: .XX ±0.25[0.010]
.X ±0.30[0.012]

SUGGESTED PCB LAYOUT (TOP VIEW)

X MULTIPLE		CONNECTING THE INFORMATION AGE	
MULTIPLE ASIA 4F, No. 347, Yang Guang St. Neihu Chu, Taipei, Taiwan 11475		MULTIPLE USA 1420 Los Angeles Ave., Suite G, Simi Valley, CA 93065	
THIS DRAWING IS A CONTROLLED DOCUMENT.		G/ND	
TITLE: Stacked RJ45 Connectors, W/LED, 8P, 8C, Shielded, Thru Hole, 2 Piece Structure		DWG NO: XRJD-S-21-8-8-1	
PART NO: XRJD-S-21-8-8-1		DRAWN: JEFF	
UNIT: mm [inch]		SHEET: 1 of 1	
REVISION: E		REV: E	
DATE: Mar.07.06		CHKD: TARA	