

NOTES:

1. MATERIAL:

HOUSING-DSM STANYL TE250F6 (NYLON-46)
 HEAT DEFLECTION TEMP.290°
 BLACK COLOR, UL94V-0
 CONTACTS-0.35mm THICK PHOS-BRONZE PLATED
 WITH 30µ" HARD GOLD AND TIN/LEAD IN
 SOLDER AREA.
 SHIELD-0.20mm THICK COPPER ALLOY,
 PLATED WITH NICKEL.

2. ELECTRICAL:

CONTACT RESISTANCE: 20 MILLIOHMS MAXIMUM
 INSULATION RESISTANCE: 500 MEGOHMS MINIMUM
 CURRENT RATING: 1.5 AMPS
 VOLTAGE RATING: 150 VOLTS AC

**3. CAVITY CONFIRMS TO FCC RULES AND REGULATIONS
 PART 68,SUBPART F.**

4. UNSPECIFIED TOLERANCE:
 .XX ±0.25[0.010]
 .X ±0.30[0.012]



PART NO. XRJH-11-01-8-8-1-A-L

DWG NO. XRJH-11-01-8-8-1-A-L

FILE NO.

UNIT / mm

SCALE 1:1

CHECKED BY CY

DRAWING BY

PROJECTION

TOLERANCES ARE

.X ±0.2
 .XX ±
 .XXX ±
 AWG

DESCRIPTION:

AREA

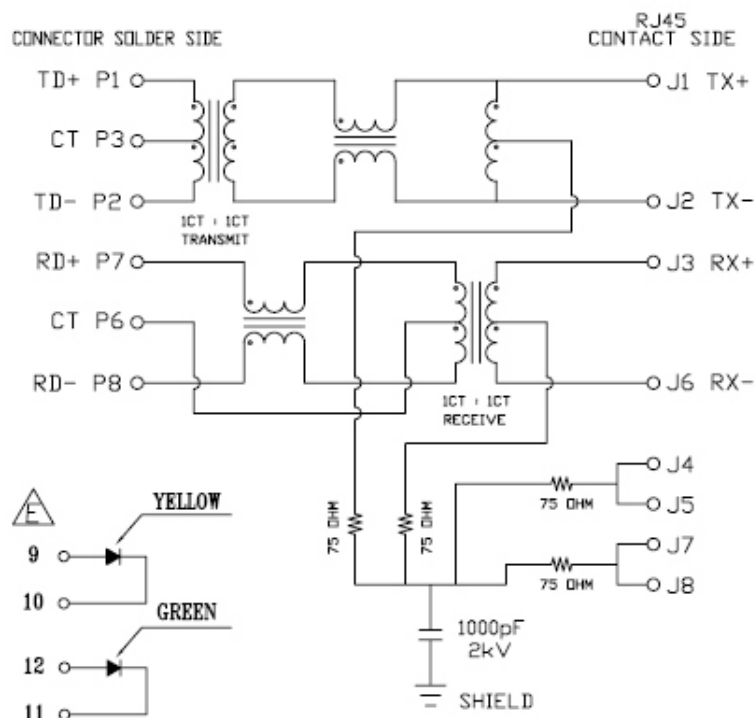
REVISIONS

HK

DATE

煜倫股份有限公司

2. SCHEMATIC:



3. ELECTRICAL CHARACTERISTICS :

www.DataSheet4U.com

TEST NOTES:(25±5°C)

- 1.TR:(100KHz,0.1V);
PINS:(1-2):(J1-J2)=1:1±3%
PINS:(7-8):(J3-J6)=1:1±3%
- 2.LX:(100KHz,100mV,8mA, DC Bias)
PINS: (1,2),(7,8)=350uH MINIMUM
- 3.DCR:
PINS:(1-2),(J1-J2),(J3-J6)= 1.0 OHMS MAXIMUM
PINS:(7-8)=1.2 OHMS MAXIMUM
- 4.HIPOT:
PINS(1,3,2)TO(J1,J2)=1500VAC FOR 60 SECONDS
PINS(7,6,8)TO(J3,J6)=1500VAC FOR 60 SECONDS
- 5.INSERTION LOSS:
-1.0dB MAXIMUM AT 0.1MHz TO 100MHz;
- 6.RETURN LOSS:
-20dB MINIMUM AT 1MHz TO 30MHz;
-15dB MINIMUM AT 30MHz TO 60MHz
-10dB MINIMUM AT 60MHz TO 80MHz
- 7.CROSS TALK:
-30dB MINIMUM AT 1MHz TO 100MHz
- 8.COMMON TO COMMON MODE REJECTION:
-30dB MINIMUM AT 1MHz TO 100MHz

XRJH-11-01-8-8-1-A-L

H - with LED, TAB up

L: 25.4 mm
S: 21.6 mm

Turns	Ratio	Unit/Rcv
1	10/11	
2	125/11	
3	136/11	
4	141/11	
5	21/11	

Application Category

1	10/100 Base Filter
2	10/100/1000 Base Filter
3	10 Base Filter

CIRCUIT TYPE

LED COLOR OPTION

Number of Contact

Number of Position

Number of Port

www.DataSheet4U.com

MORETHANALL
CONNECTORS
ASSEMBLIES

PART NO. XRJH-11-01-8-8-1-A-L

DWG NO. XRJH-11-01-8-8-1-A-L

FILE NO.

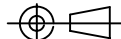
UNIT / mm

SCALE 1:1

CHECKED BY CY

DRAWING BY

PROJECTION



TOLERANCES ARE

.X ± 0.2
.XX ±
.XXX ±
AWG

DESCRIPTION:

AREA

REVISIONS

HK

DATE

煜倫股份有限公司